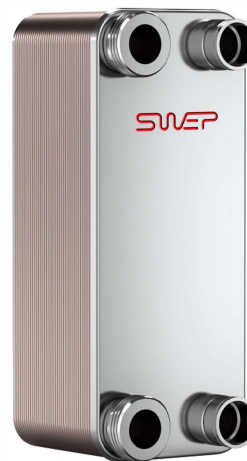


B10T

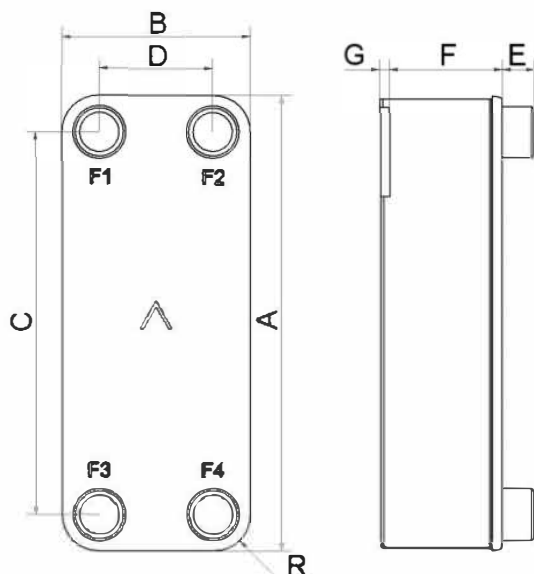
Le B10T offre des solutions d'échange thermique dans un large éventail de capacités. Son adaptation à de nombreuses applications est rapide et simple. Par sa compacité, sa polyvalence, son excellent transfert thermique, ce produit est le choix idéal pour des applications monophasiques et de réfrigération.



Spécifications de base

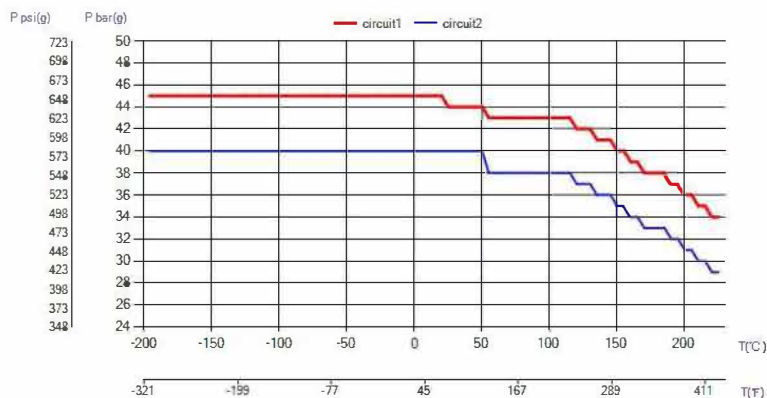
| | |
|------------------------------|--|
| Nombre de plaques max. (NoP) | 140 |
| Débit volumétrique max. | 9 m ³ /h (39.63 gpm) |
| Volume du canal | 0.061/0.061 dm ³ (0.0022/0.0022 ft ³) |
| Matières | Plaques en acier inoxydable 316, brasage cuivre |
| Poids sans les connexions | 1.15+(0.096*NoP) kg 2.54+(0.212*NoP) lb |

Les dimensions standard



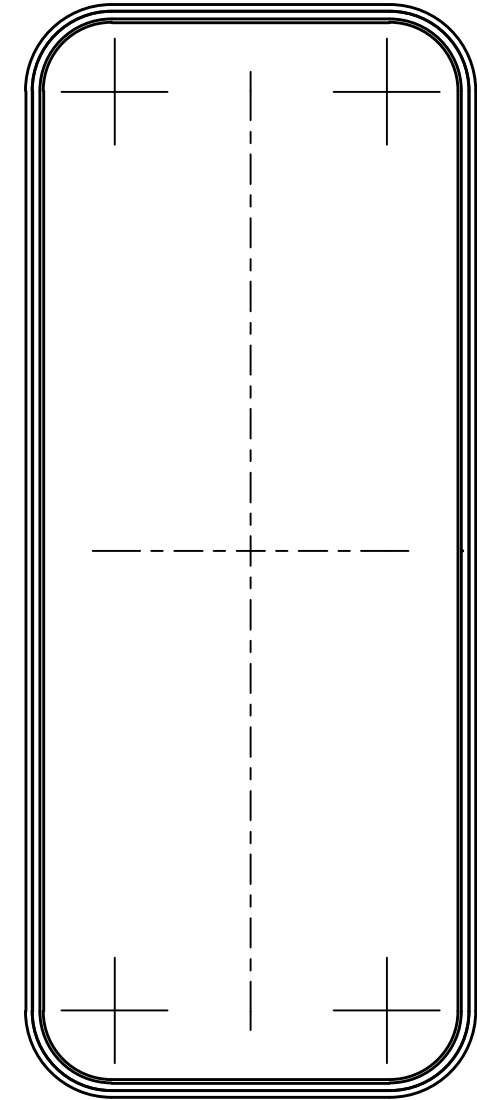
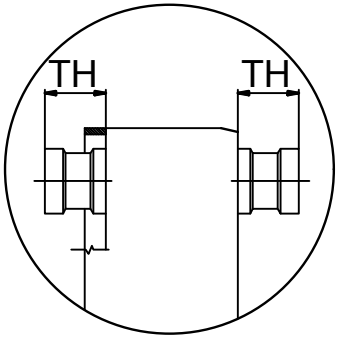
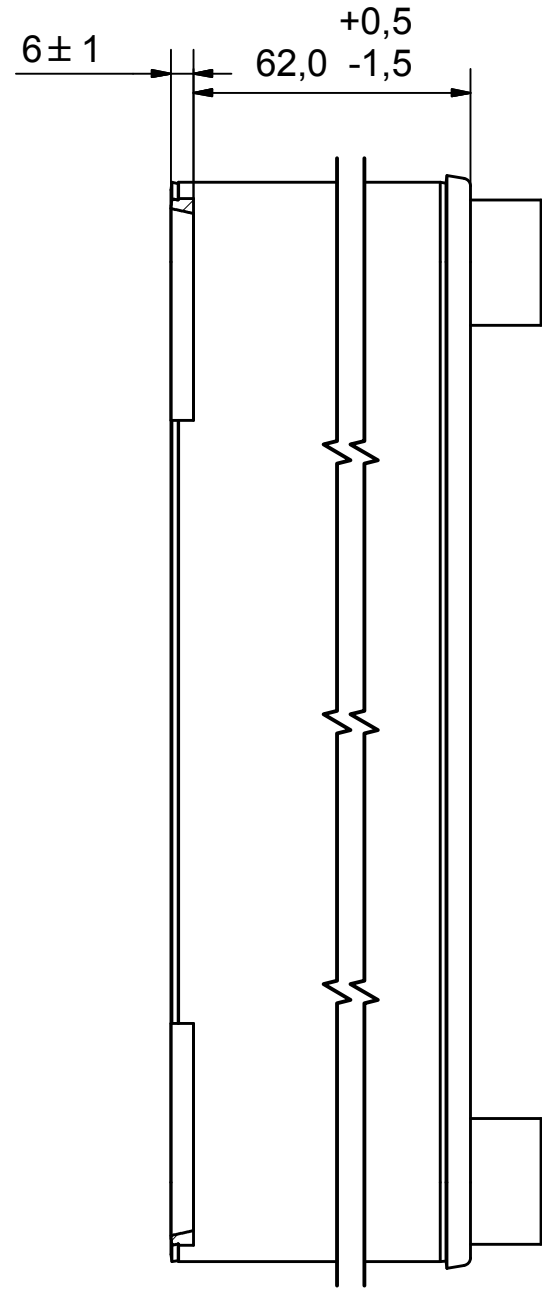
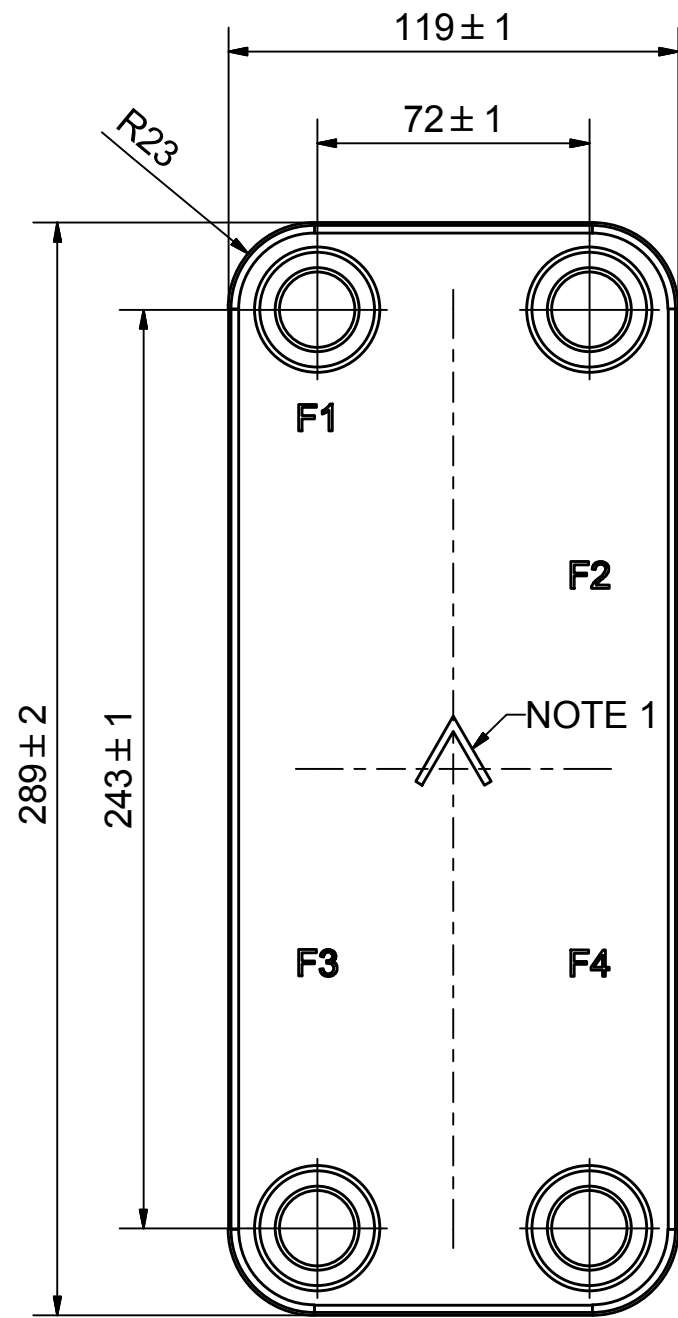
| # | MM | IN |
|-----|-----------------|-----------------|
| A | 289 | 11.38 |
| B | 119 | 4.69 |
| C | 243 | 9.57 |
| D | 72 | 2.83 |
| F | 4.00+2.24*(NoP) | 0.16+0.09*(NoP) |
| G | 6 | 0.24 |
| R | 22 | 0.87 |
| E_1 | 20 | 0.79 |

PED pression / température



AXINTRA

ÉCHANGEURS THERMIQUES




AXINTRA
ÉCHANGEURS THERMIQUES

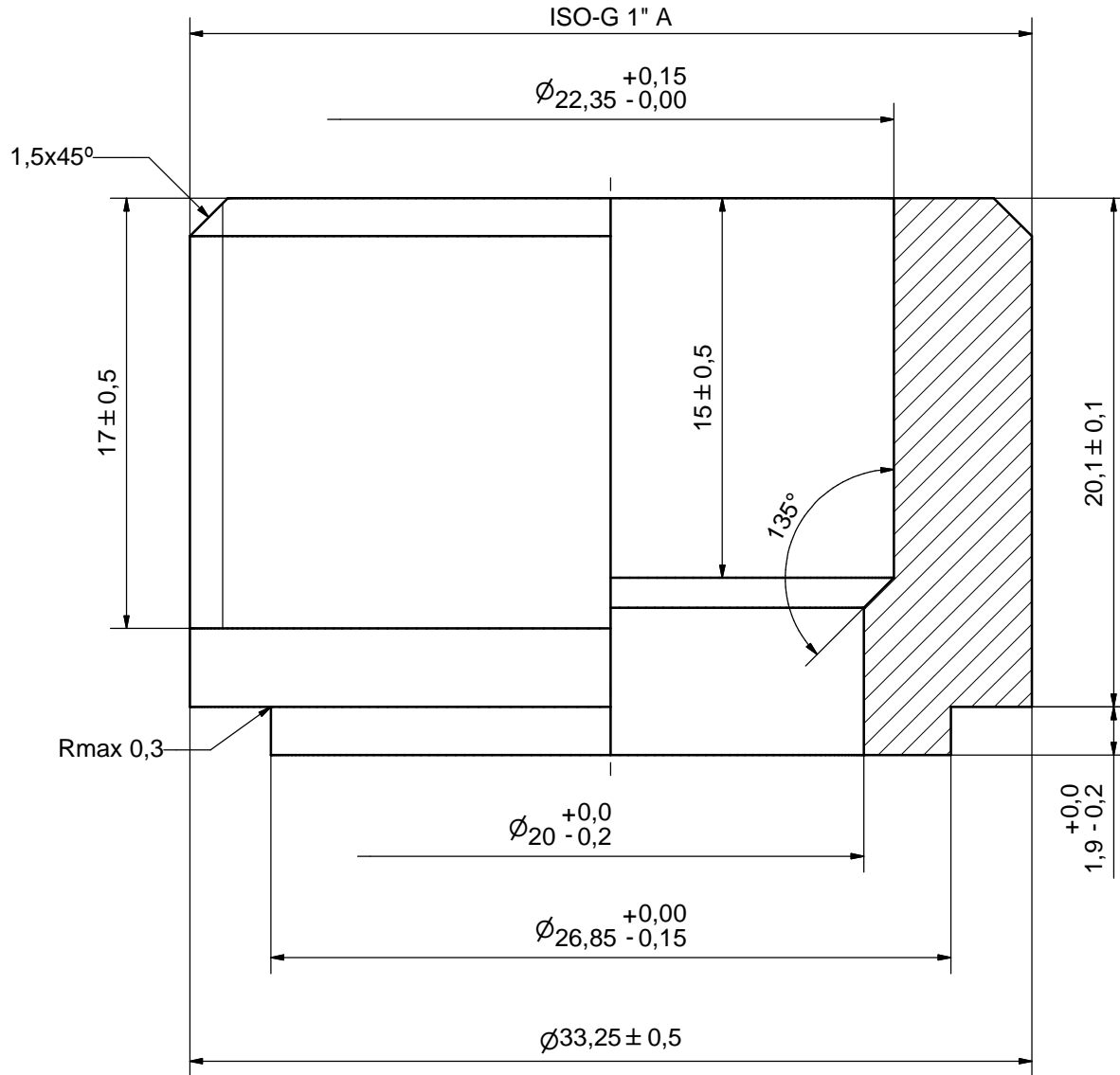
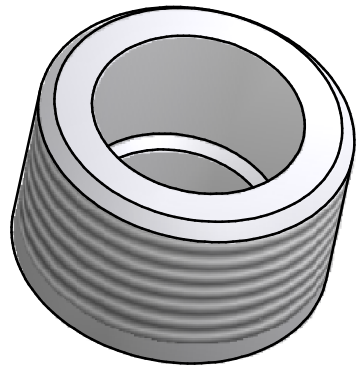
NOTE 1 ALTERNATE MARKING: STICKER OR STAMP

| | | | |
|----|-------|------------------------------------|----------|
| F4 | 32566 | ISO-G 1" A & SOLDER 22U, TH = 20,1 | CD000806 |
| F3 | 32566 | ISO-G 1" A & SOLDER 22U, TH = 20,1 | CD000806 |
| F2 | 32566 | ISO-G 1" A & SOLDER 22U, TH = 20,1 | CD000806 |
| F1 | 32566 | ISO-G 1" A & SOLDER 22U, TH = 20,1 | CD000806 |

| Pos | Article No | Title / Denomination, code, material, dimension etc | Drawing No./ref | Pos | Article No | Title / Denomination, code, material, dimension etc | Drawing No./ref |
|-----|------------|---|-----------------|-----|------------|---|-----------------|
|-----|------------|---|-----------------|-----|------------|---|-----------------|

| | | | |
|--|--|----------------------|------------|
| Title | | B10TH/1P-SC-M | |
|  A DOVER COMPANY | | Created Date | 2018-07-04 |
| | | Created By | AU |
| Article/Configuration number | | 15371-026 | |
| Drawing number | | AU00393686 | |

| Rev No. | Alteration | Date | Checked | Approved |
|---------|---------------------|------------|---------|----------|
| 1 | CHANGED DENOMIATION | 2007/05/28 | ANL | PDM |



ACCORDING TO MQS
MATERIAL

| | | | | | | |
|---|----------------|-----------------|----------------------------|---|-------------------------------------|----------------|
| Drawn THE | Checked PDM | Approved PDM | Created Date 2006/05/09 | General geometrical tolerancing ISO 2768 m | General surface finish R_a 3.2 | Scale 5:1 |
| Title ISO-G 1" A & SOLDER 22U | | | Article number - | Drawing number CD000806 | Revision 1 | Sheet 1 (1) |

© Company Confidential, Property of SWEP International/AB

AXINTRA
ÉCHANGEURS THERMIQUES

SWEP
A DOVER COMPANY