

# B10T

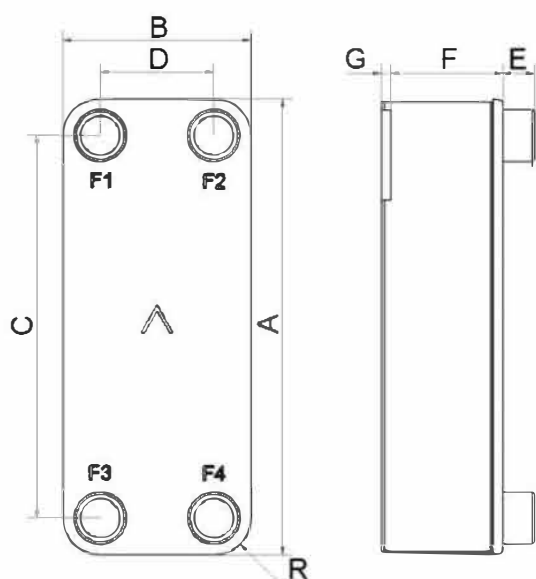
Le B10T offre des solutions d'échange thermique dans un large éventail de capacités. Son adaptation à de nombreuses applications est rapide et simple. Par sa compacité, sa polyvalence, son excellent transfert thermique, ce produit est le choix idéal pour des applications monophasiques et de réfrigération.



## Spécifications de base

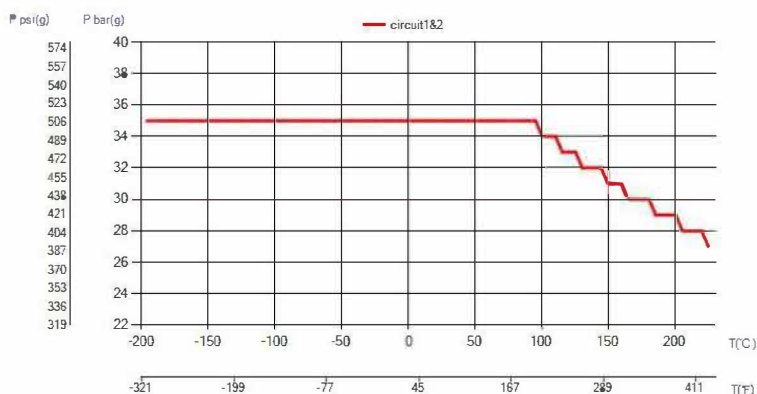
|                              |                                                              |
|------------------------------|--------------------------------------------------------------|
| Nombre de plaques max. (NoP) | 140                                                          |
| Débit volumétrique max.      | 9 m <sup>3</sup> /h (39.63 gpm)                              |
| Volume du canal              | 0.061/0.061 dm <sup>3</sup> (0.0022/0.0022 ft <sup>3</sup> ) |
| Matières                     | Plaques en acier inoxydable 316, brasage cuivre              |
| Poids sans les connexions    | 1.15+(0.096*NoP) kg<br>2.54+(0.212*NoP) lb                   |

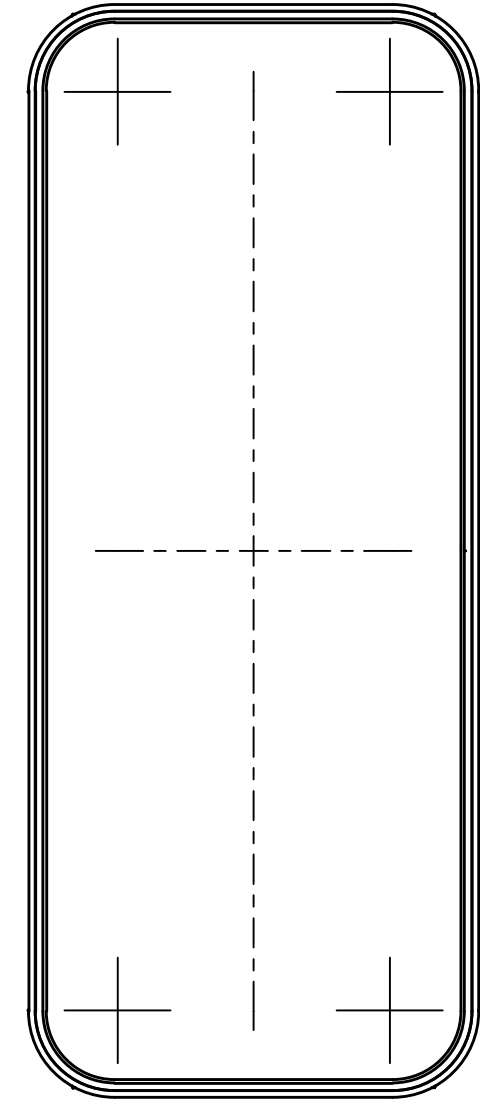
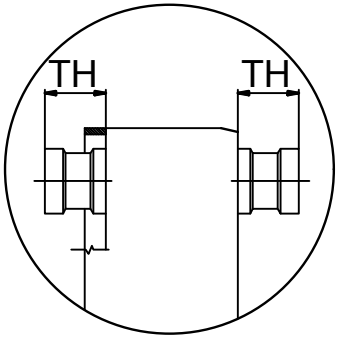
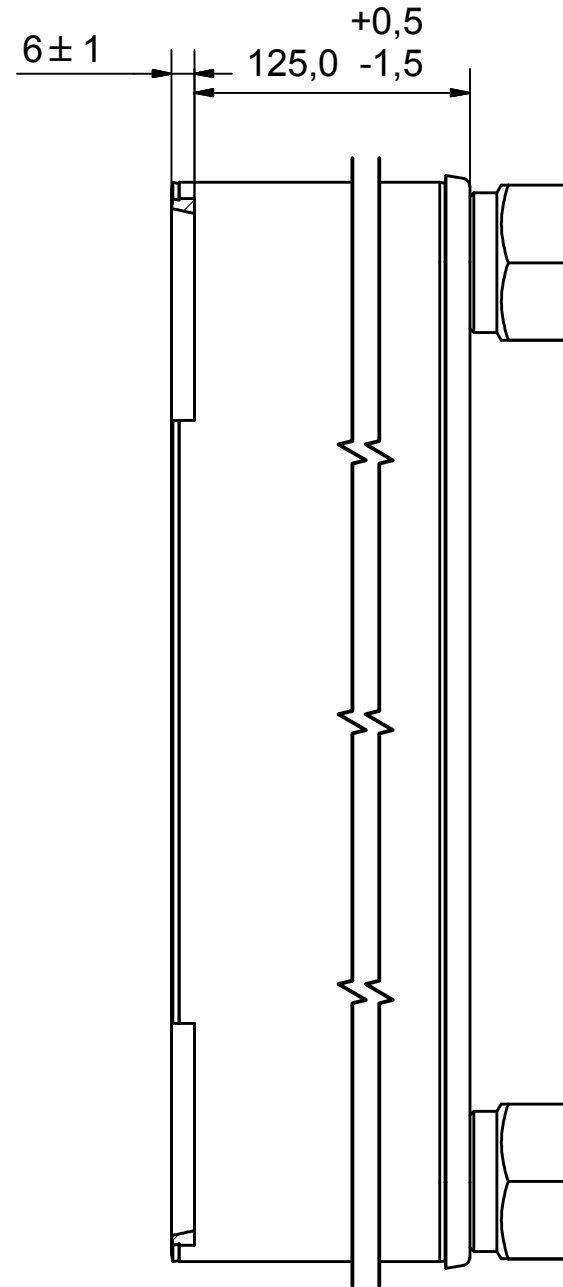
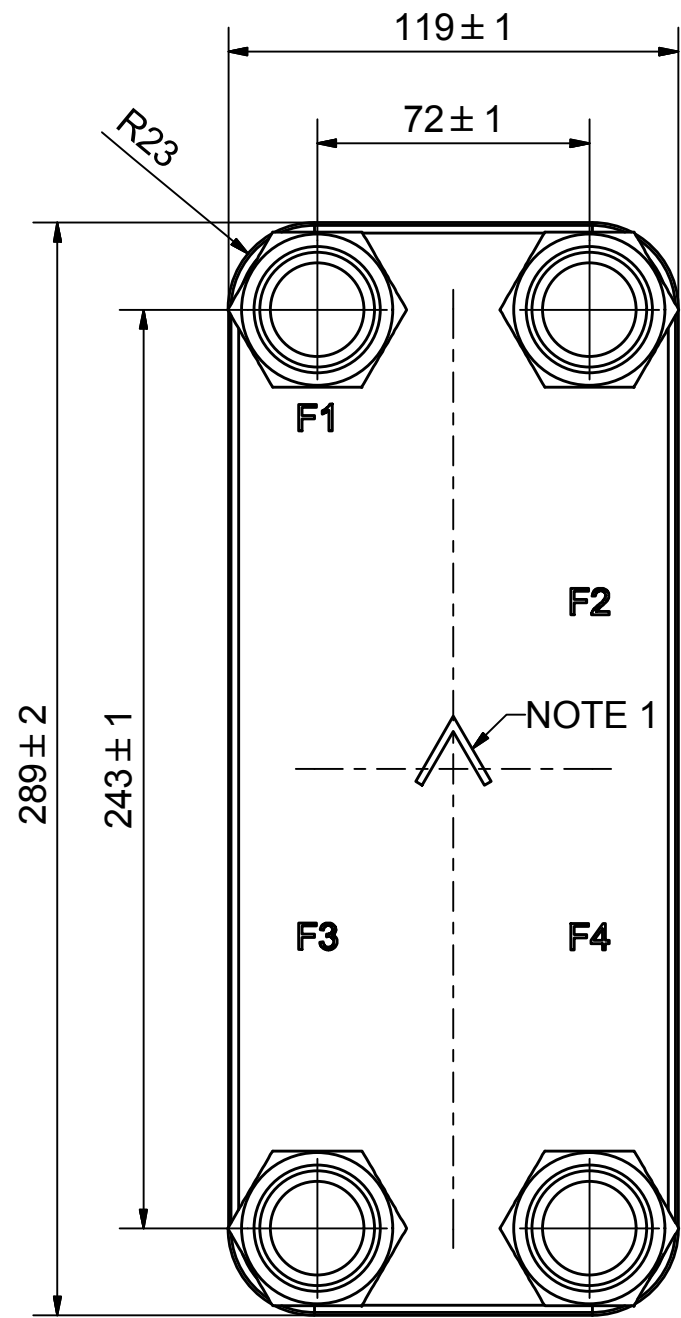
## Les dimensions standard



| #   | MM              | IN              |
|-----|-----------------|-----------------|
| A   | 289             | 11.38           |
| B   | 119             | 4.69            |
| C   | 243             | 9.57            |
| D   | 72              | 2.83            |
| F   | 4.00+2.24*(NoP) | 0.16+0.09*(NoP) |
| G   | 6               | 0.24            |
| R   | 22              | 0.87            |
| E_1 | 20              | 0.79            |

## PED pression / température






**AXINTRA**  
ÉCHANGEURS THERMIQUES

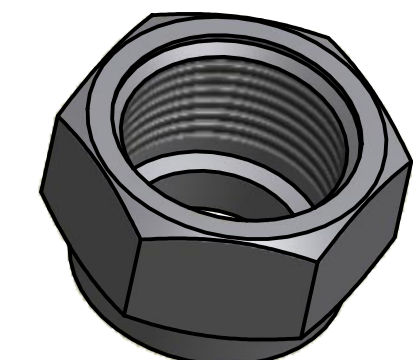
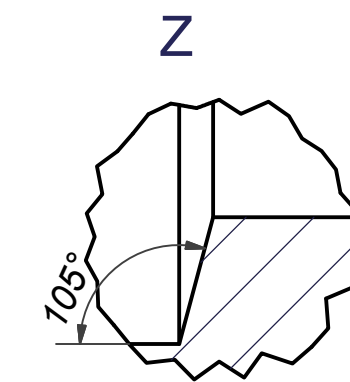
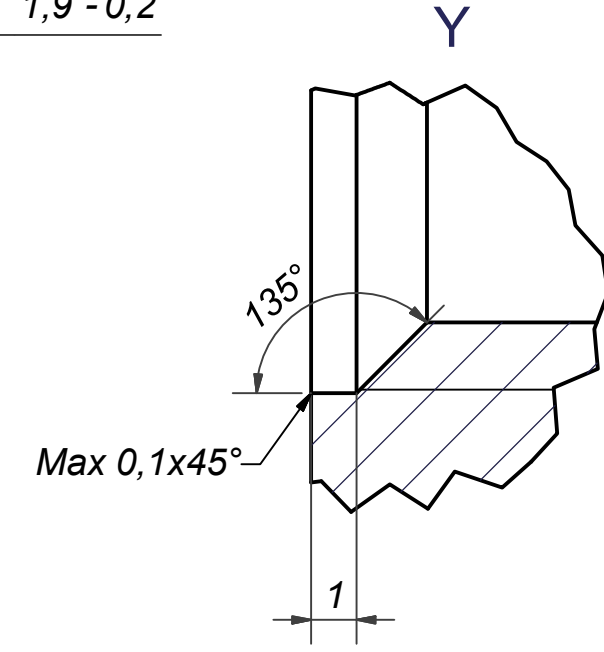
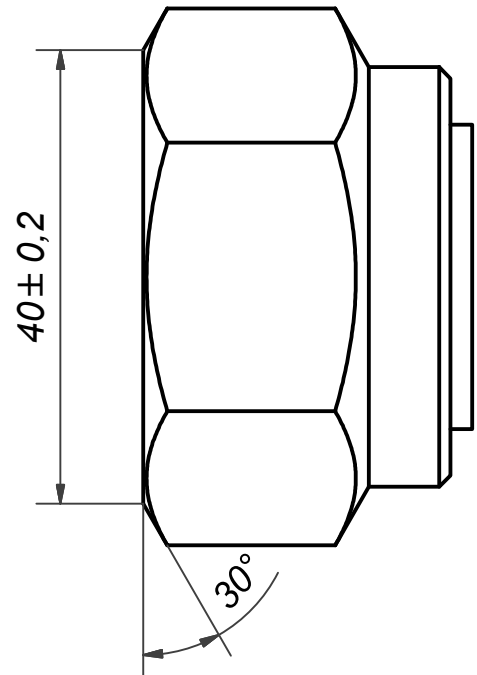
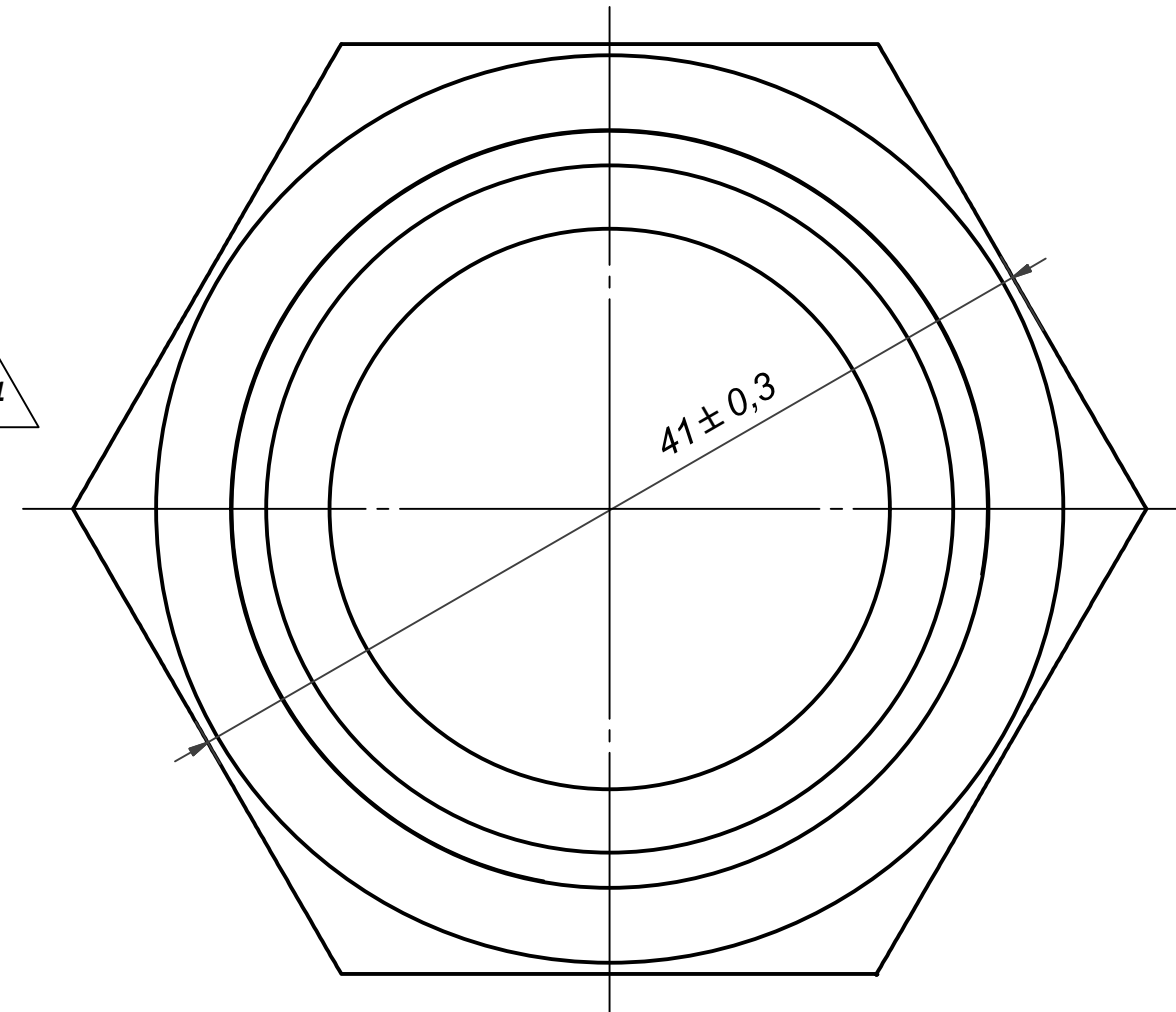
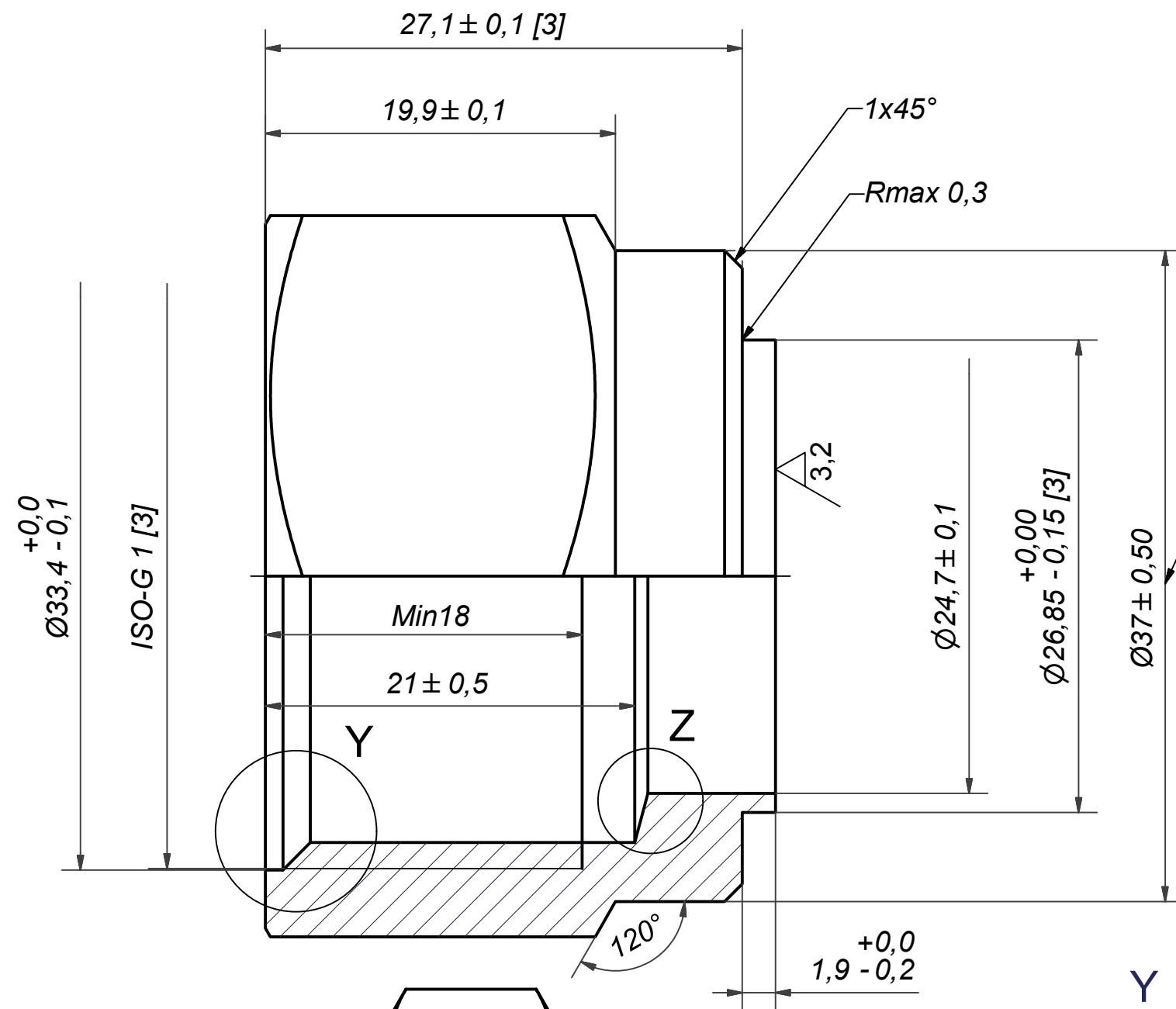
NOTE 1 ALTERNATE MARKING: STICKER OR STAMP

|    |       |                              |          |
|----|-------|------------------------------|----------|
| F4 | 45397 | ISO-G 1 INT. HEX., TH = 27,1 | CD000001 |
| F3 | 45397 | ISO-G 1 INT. HEX., TH = 27,1 | CD000001 |
| F2 | 45397 | ISO-G 1 INT. HEX., TH = 27,1 | CD000001 |
| F1 | 45397 | ISO-G 1 INT. HEX., TH = 27,1 | CD000001 |

| Pos | Article No | Title / Denomination, code, material, dimension etc | Drawing No./ref | Pos | Article No | Title / Denomination, code, material, dimension etc | Drawing No./ref |
|-----|------------|-----------------------------------------------------|-----------------|-----|------------|-----------------------------------------------------|-----------------|
|-----|------------|-----------------------------------------------------|-----------------|-----|------------|-----------------------------------------------------|-----------------|


|                                                                                       |  |                              |                |
|---------------------------------------------------------------------------------------|--|------------------------------|----------------|
| Title                                                                                 |  | <b>B10TH/1P-SC-S</b>         |                |
|  |  | Created Date                 | Created By     |
| A DOVER COMPANY                                                                       |  | 2017-04-28                   | AU             |
|                                                                                       |  | Article/Configuration number | Drawing number |
|                                                                                       |  | 15242-054                    | AU00263667     |

| Rev No | Alteration          | Date       | Checked | Approved |
|--------|---------------------|------------|---------|----------|
| 14     | DIMENSION CORRECTED | 2014-06-02 | SKMTB   | VP       |



**NOTE 2: DEBURR SHARP EDGES ; MAX 0,4**  
**NOTE 1:[3] - CRITICAL/SPECIAL CHARACTERISTIC TO BE FOLLOWED**

ACCORDING TO MQS  
MATERIAL

| Drawn                                                                                                    | Checked | Approved    | Created Date | General geometrical tolerancing ISO 2768: | General surface finish $R_a$ : | Scale    | Paper size |
|----------------------------------------------------------------------------------------------------------|---------|-------------|--------------|-------------------------------------------|--------------------------------|----------|------------|
| miguser                                                                                                  | TP      | VP          | 1991-11-06   | m                                         | 3.2                            | -        | A3         |
| <br>A DOVER COMPANY |         |             |              | Title<br><b>ISO-G 1 INT. HEX.</b>         |                                |          |            |
| Article number                                                                                           |         | Design Type |              | Drawing number                            |                                | Revision |            |
| -                                                                                                        |         | CD          |              | CD000001                                  |                                | 14       |            |
|                                                                                                          |         |             |              | Sheet                                     |                                | 1 (1)    |            |

© Company Confidential, Property of SWEP International AB

