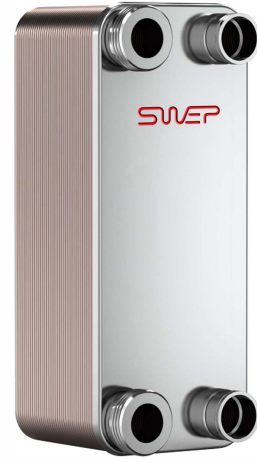


B10T

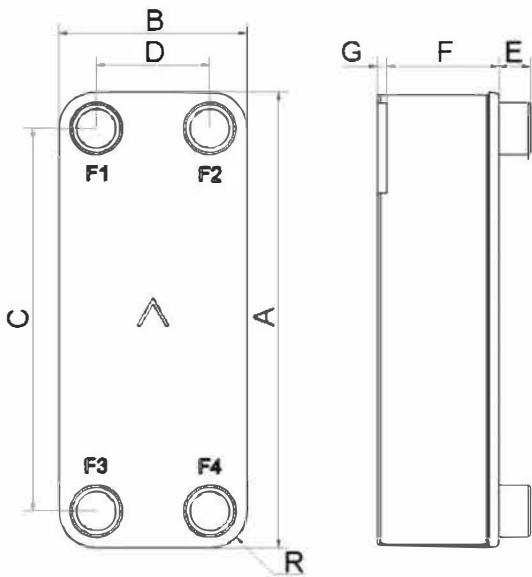
Le B10T offre des solutions d'échange thermique dans un large éventail de capacités. Son adaptation à de nombreuses applications est rapide et simple. Par sa compacité, sa polyvalence, son excellent transfert thermique, ce produit est le choix idéal pour des applications monophasiques et de réfrigération.



Spécifications de base

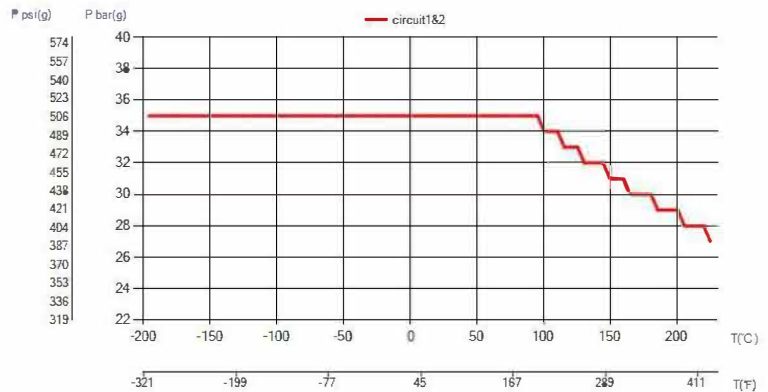
Nombre de plaques max. (NoP)	140
Débit volumétrique max.	9 m³/h (39.63 gpm)
Volume du canal	0.061/0.061 dm³ (0.0022/0.0022 ft³)
Matières	Plaques en acier inoxydable 316, brasage cuivre
Poids sans les connexions	1.15+(0.096*NoP) kg 2.54+(0.212*NoP) lb

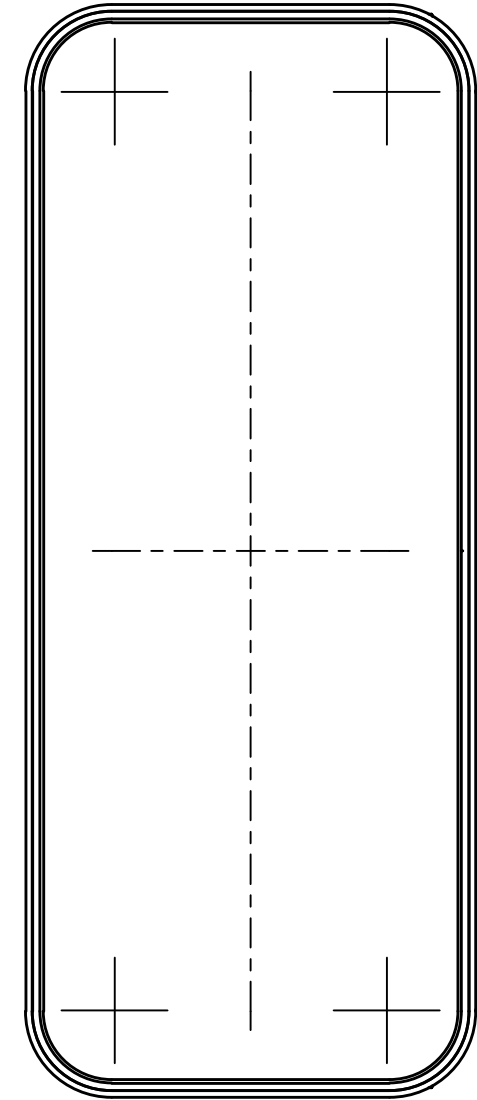
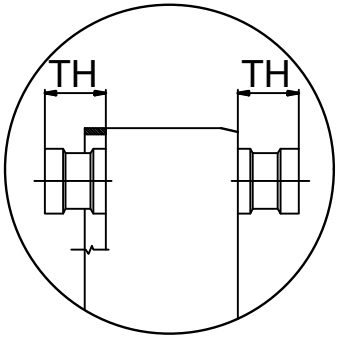
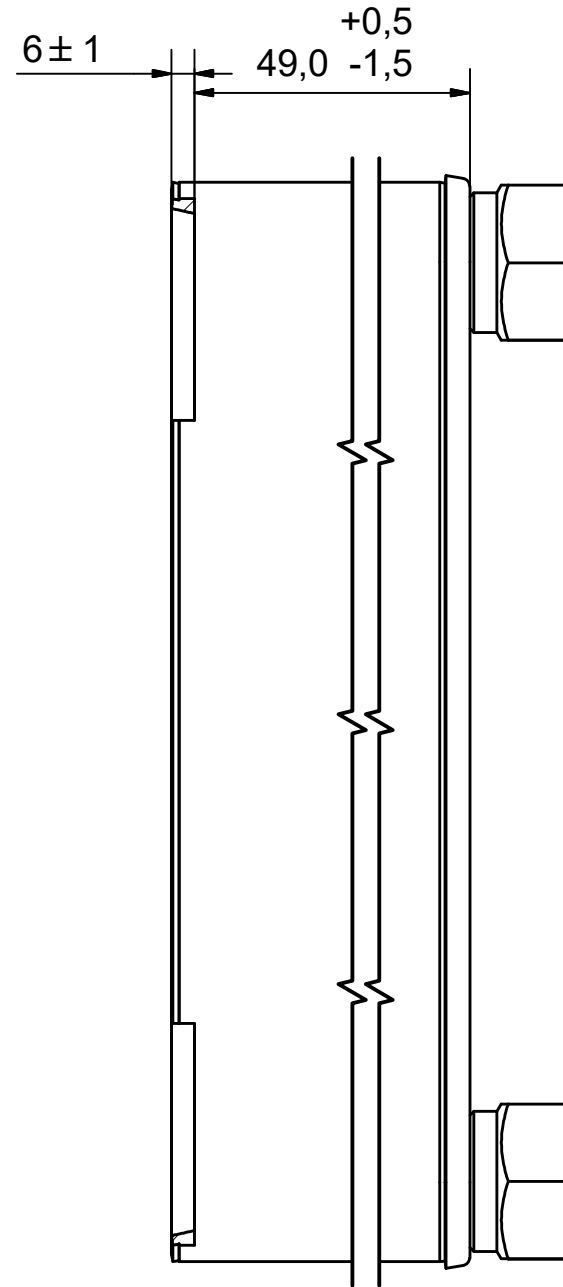
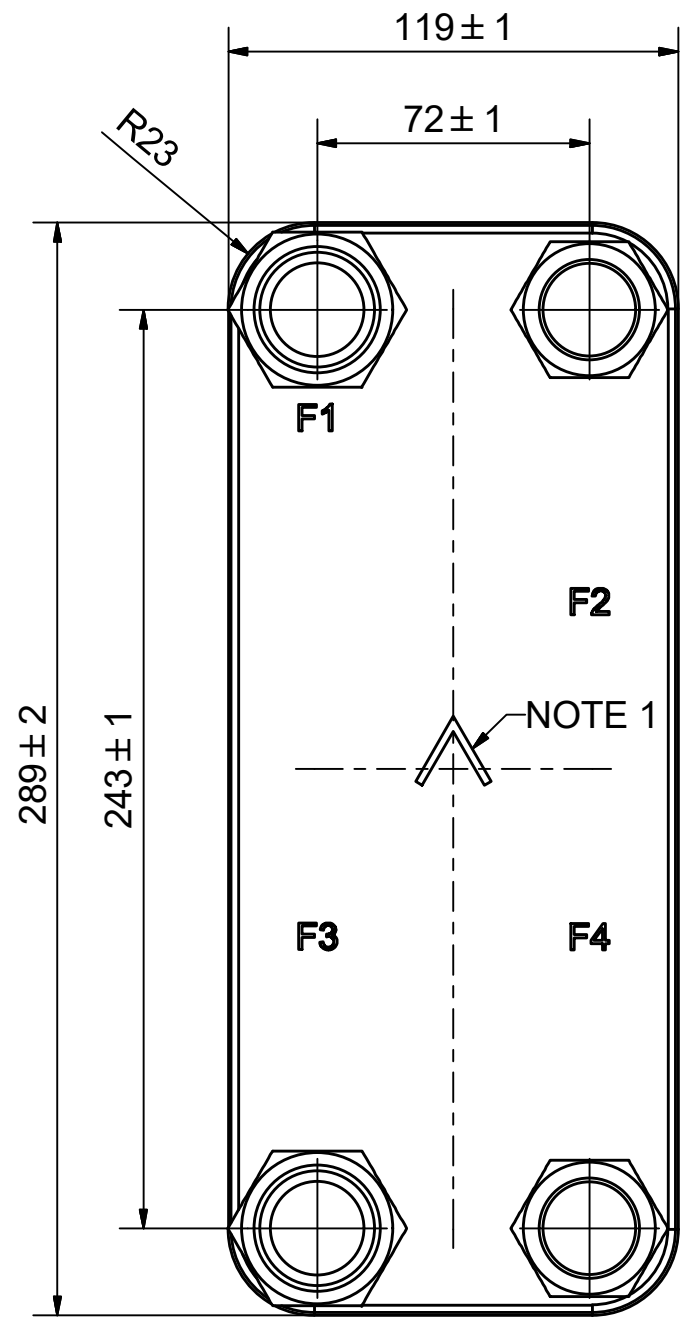
Les dimensions standard



#	MM	IN
A	289	11.38
B	119	4.69
C	243	9.57
D	72	2.83
F	4.00+2.24*(NoP)	0.16+0.09*(NoP)
G	6	0.24
R	22	0.87
E_1	20	0.79

PED pression / température







AXINTRA
ÉCHANGEURS THERMIQUES

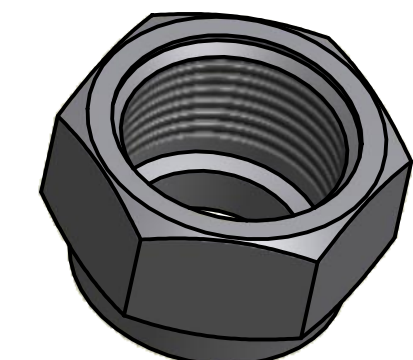
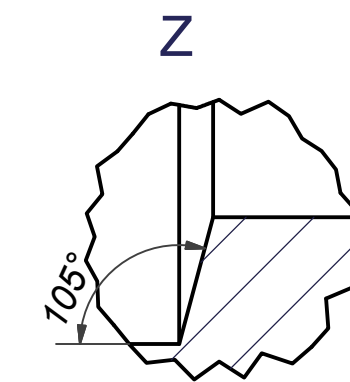
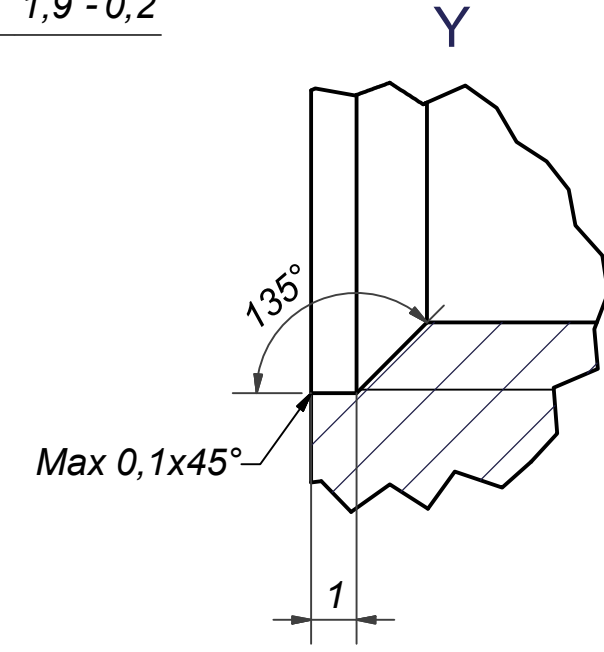
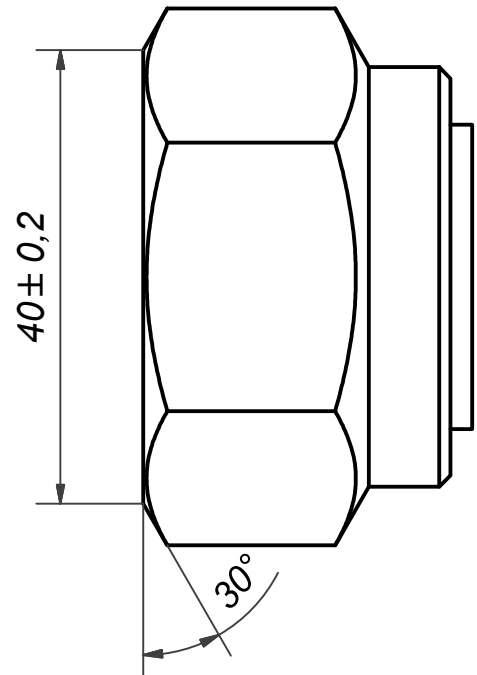
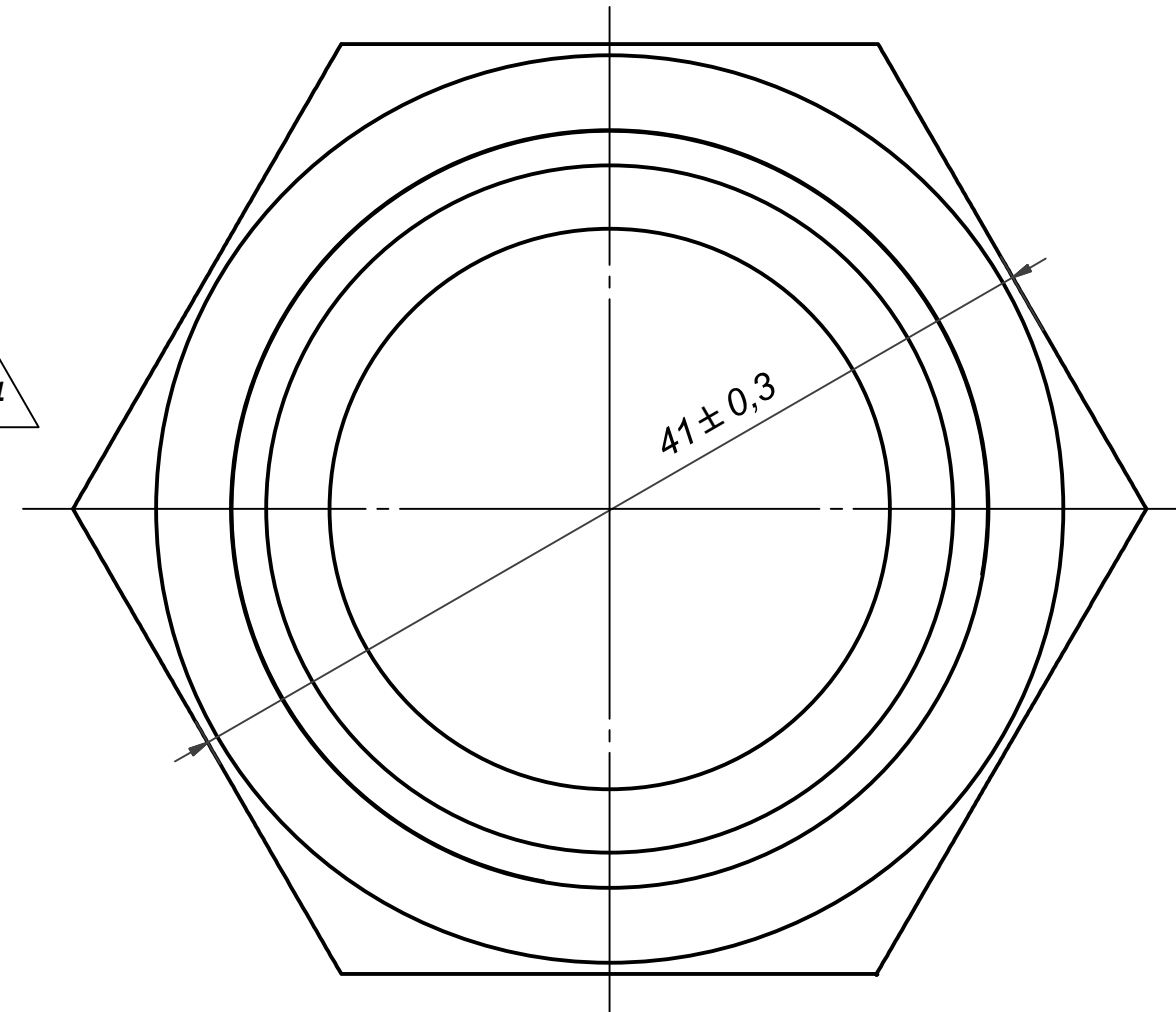
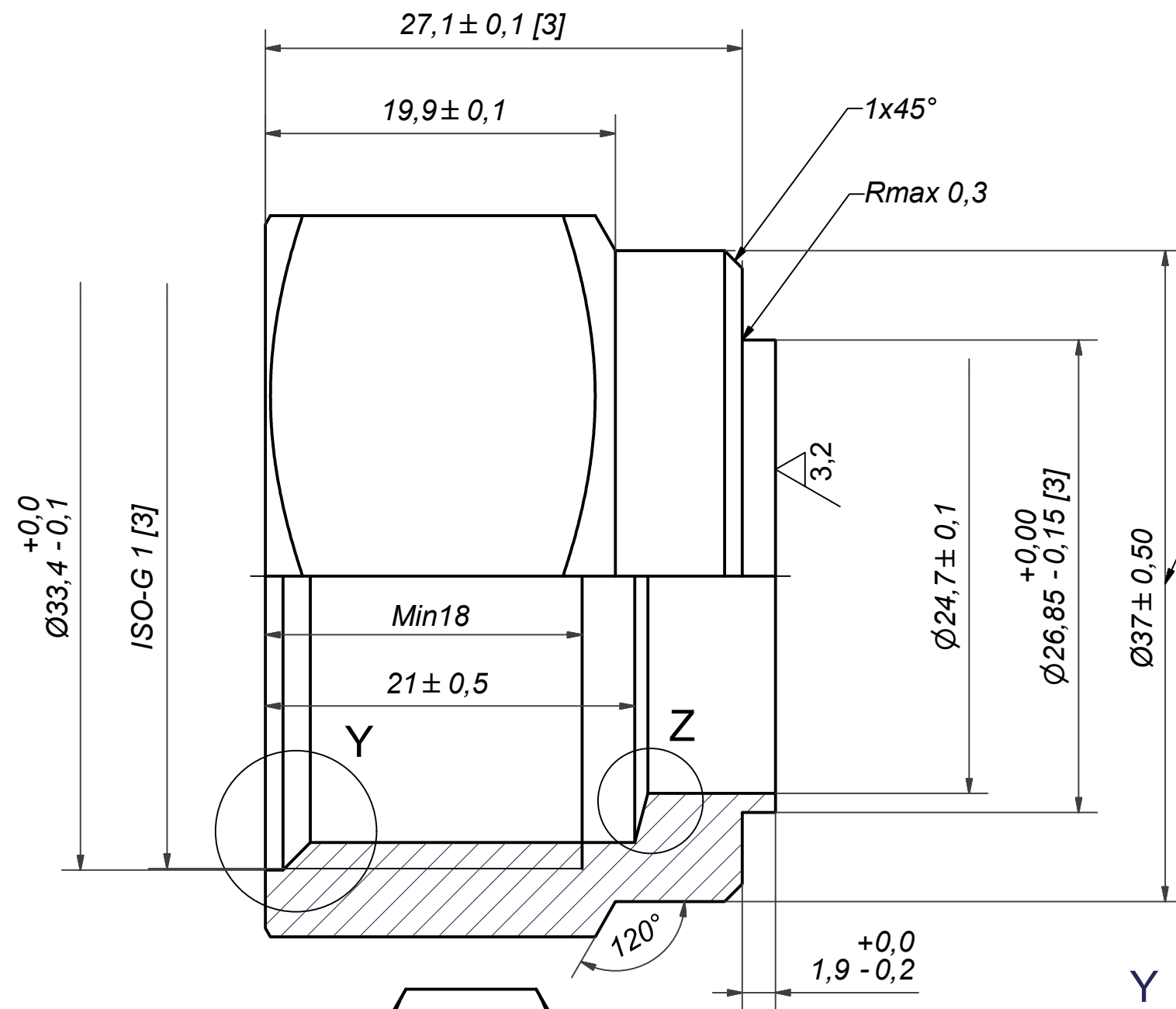
NOTE 1 ALTERNATE MARKING: STICKER OR STAMP

F4	45410	ISO-G 3/4 (INT- HEX), TH = 27,1	CD000006
F3	45397	ISO-G 1 INT. HEX., TH = 27,1	CD000001
F2	45410	ISO-G 3/4 (INT- HEX), TH = 27,1	CD000006
F1	45397	ISO-G 1 INT. HEX., TH = 27,1	CD000001

Title		B10TH/1P-SC-S	
 A DOVER COMPANY	Created Date	Created By	
	2017-10-30	AU	
	Article/Configuration number	Drawing number	
	13823-020	AU00312624	


Pos	Article No	Title / Denomination, code, material, dimension etc	Drawing No./ref	Pos	Article No	Title / Denomination, code, material, dimension etc	Drawing No./ref
-----	------------	---	-----------------	-----	------------	---	-----------------

Rev No	Alteration	Date	Checked	Approved
14	DIMENSION CORRECTED	2014-06-02	SKMTB	VP



NOTE 2: DEBURR SHARP EDGES ; MAX 0,4
NOTE 1:[3] - CRITICAL/SPECIAL CHARACTERISTIC TO BE FOLLOWED

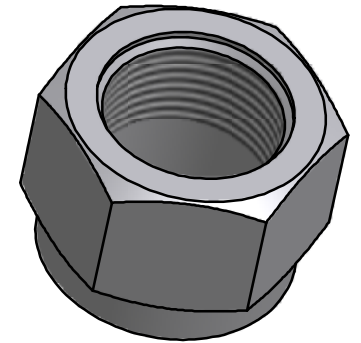
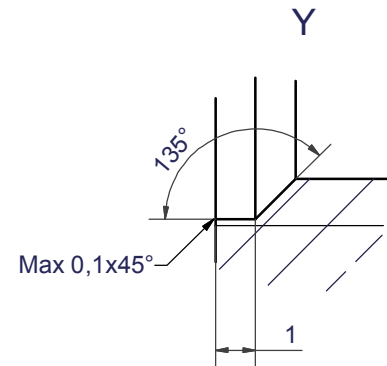
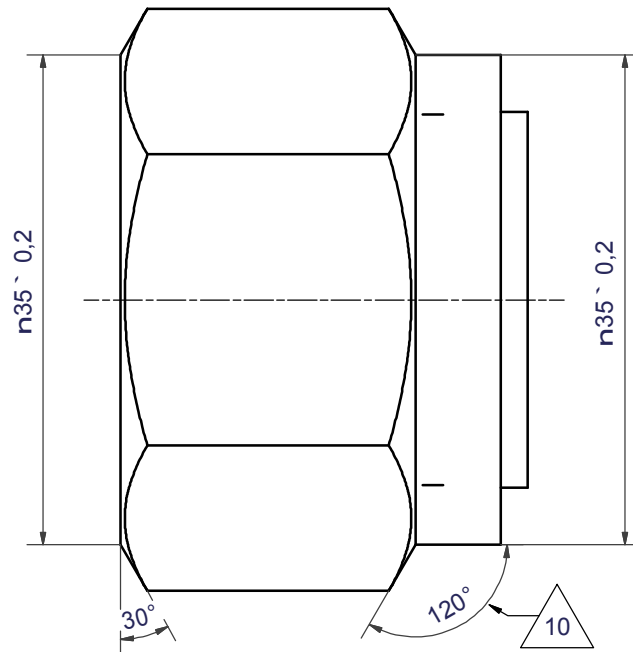
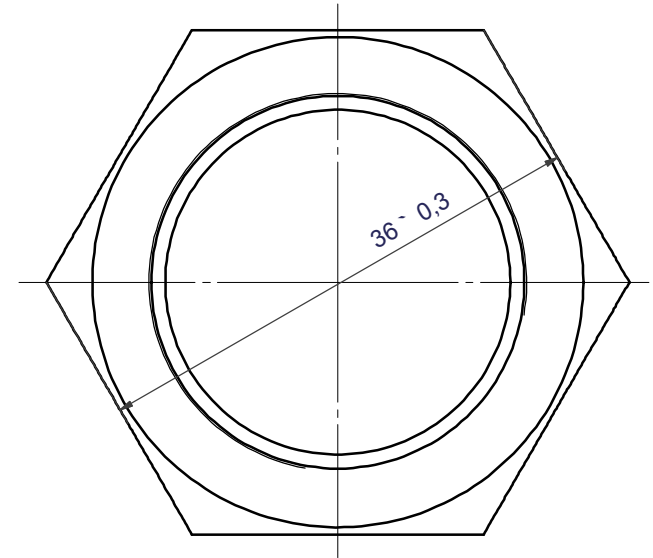
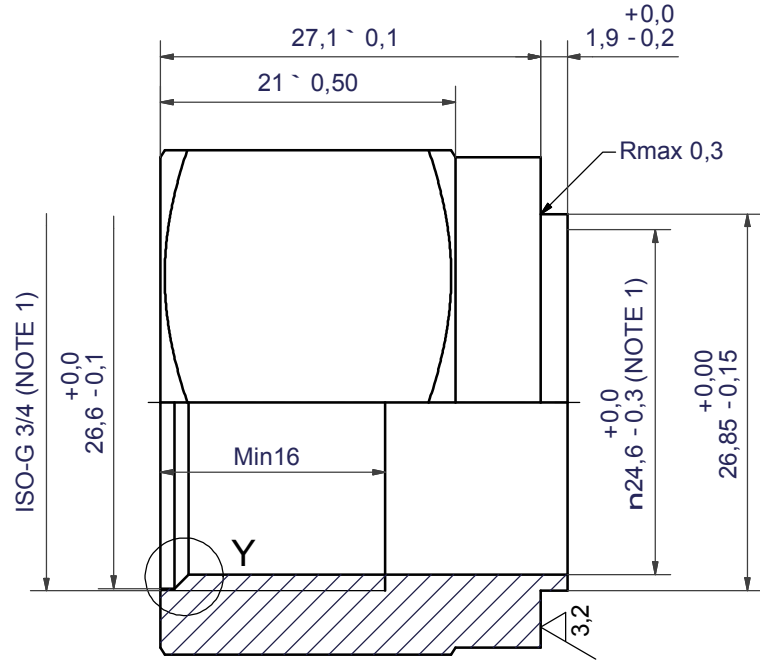
ACCORDING TO MQS
MATERIAL

Drawn miguser	Checked TP	Approved VP	Created Date 1991-11-06	General geometrical tolerancing ISO 2768: m	General surface finish R_a : 3.2	Scale -	Paper size A3
			Title ISO-G 1 INT. HEX.				
Article number -		Design Type CD	Drawing number CD000001	Revision 14	Sheet 1 (1)		

© Company Confidential, Property of SWEP International AB



Rev No	Alteration	Date	Checked	Approved
10	ADDED DIMENSION. TITLE UPDATED.	28. 1. 2013	SKZE	PDM



NOTE 1: THREADS MAX INNER DIAMETER SHOULD BE WITHIN SPECIFIED HOLE TOLERANCE
 NOTE 2: DEBURR SHARP EDGES; MAX 0,4

© Company Confidential. Property of SWEP International AB

AXINTRA
 ÉCHANGEURS THERMIQUES

Drawn HR	Checked TP	Approved PDM	Created Date 31. 8. 1992	General geometrical tolerancing ISO 2768 m	General surface finish R_a 3.2	Scale -	Paper size A3
			ISO-G 3/4 (INT- HEX)				
			Article / Tool number CD	Design Type CD000006	Drawing number 10	Revision 1 (1)	Sheet 1 (1)