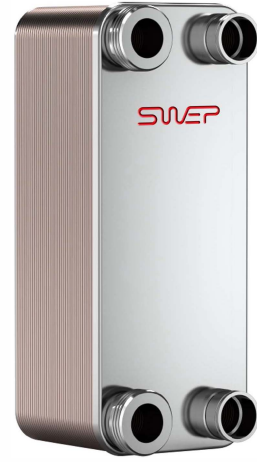


B10T

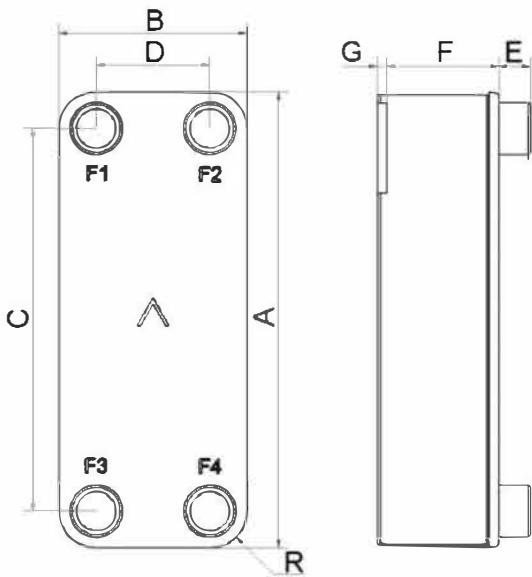
Le B10T offre des solutions d'échange thermique dans un large éventail de capacités. Son adaptation à de nombreuses applications est rapide et simple. Par sa compacité, sa polyvalence, son excellent transfert thermique, ce produit est le choix idéal pour des applications monophasiques et de réfrigération.



Spécifications de base

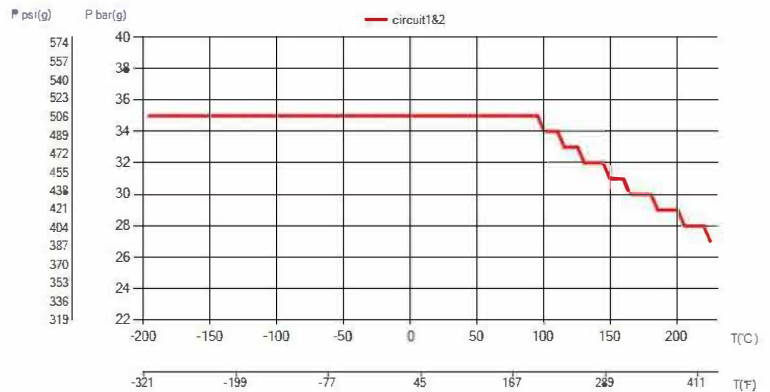
Nombre de plaques max. (NoP)	140
Débit volumétrique max.	9 m³/h (39.63 gpm)
Volume du canal	0.061/0.061 dm³ (0.0022/0.0022 ft³)
Matières	Plaques en acier inoxydable 316, brasage cuivre
Poids sans les connexions	1.15+(0.096*NoP) kg 2.54+(0.212*NoP) lb

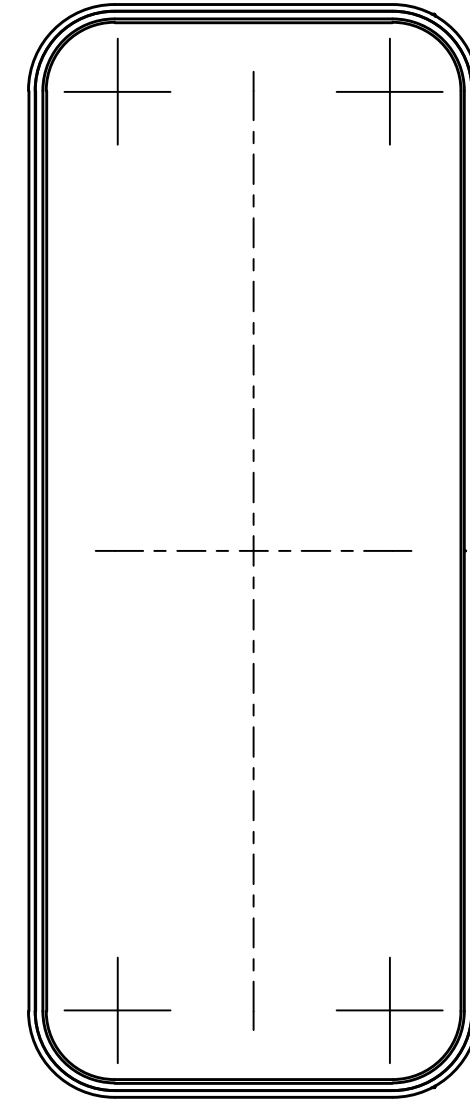
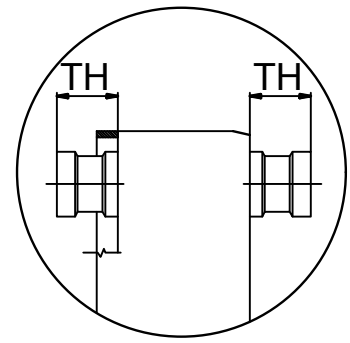
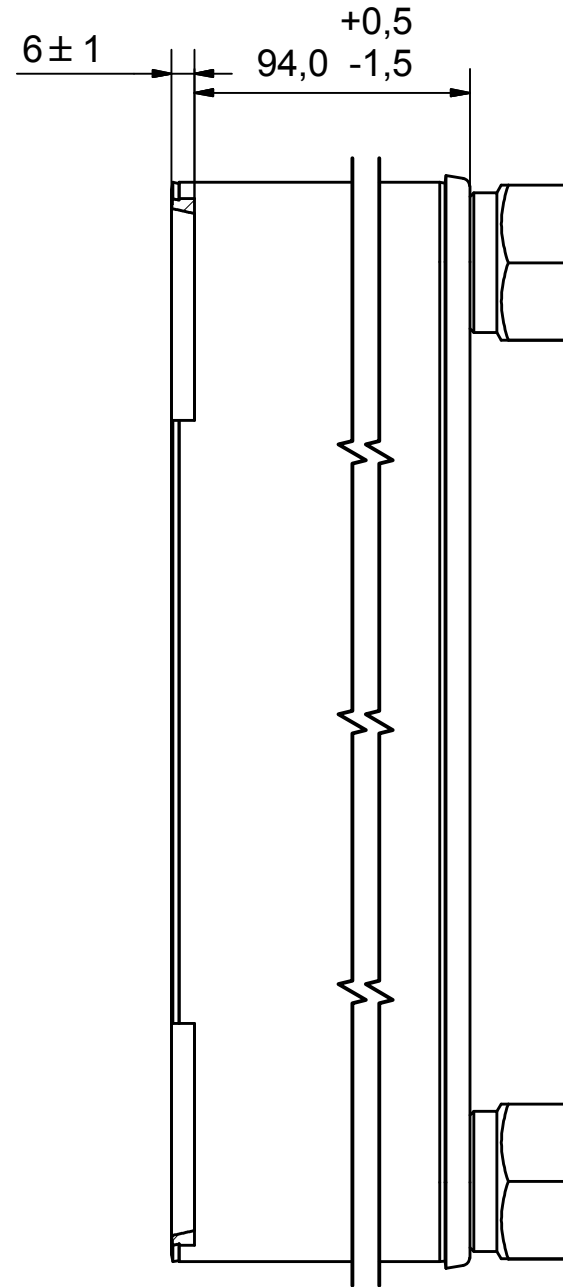
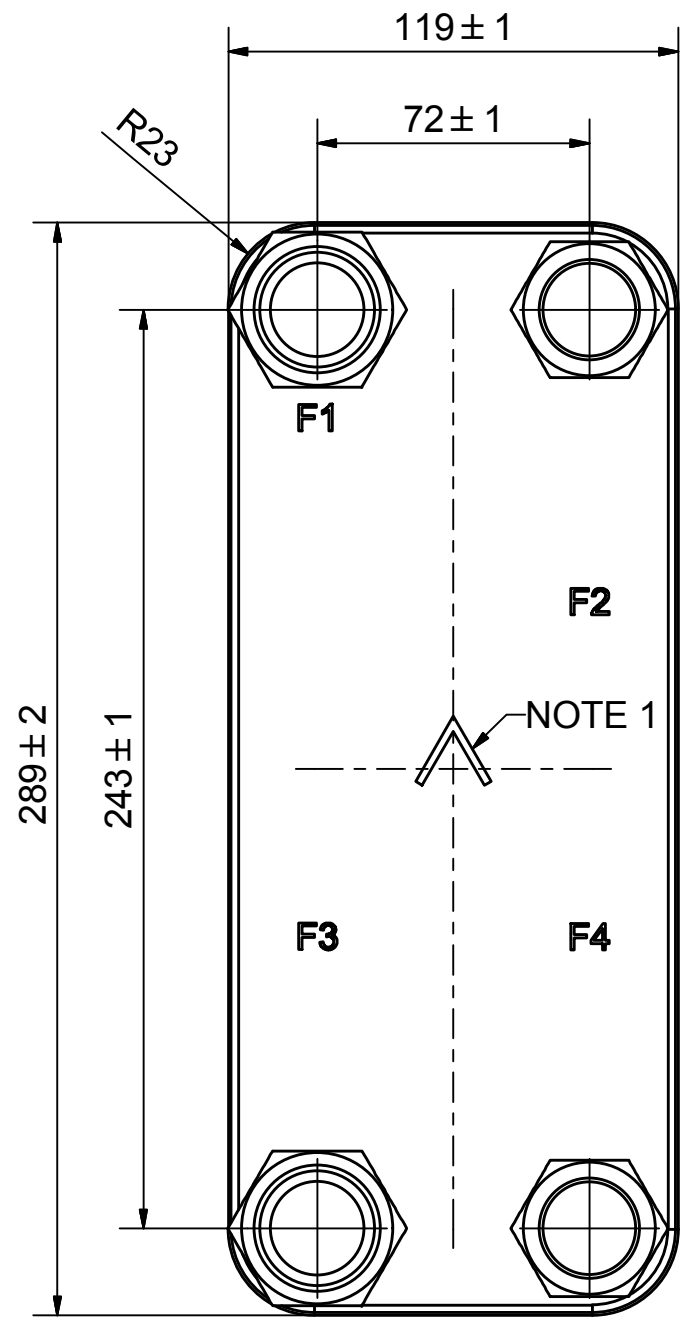
Les dimensions standard



#	MM	IN
A	289	11.38
B	119	4.69
C	243	9.57
D	72	2.83
F	4.00+2.24*(NoP)	0.16+0.09*(NoP)
G	6	0.24
R	22	0.87
E_1	20	0.79

PED pression / température






AXINTRA
ÉCHANGEURS THERMIQUES

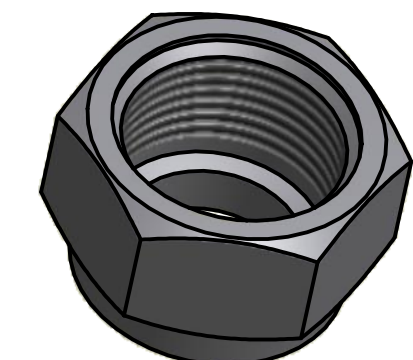
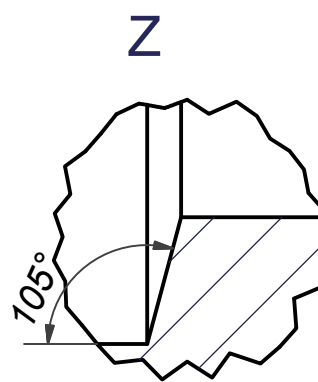
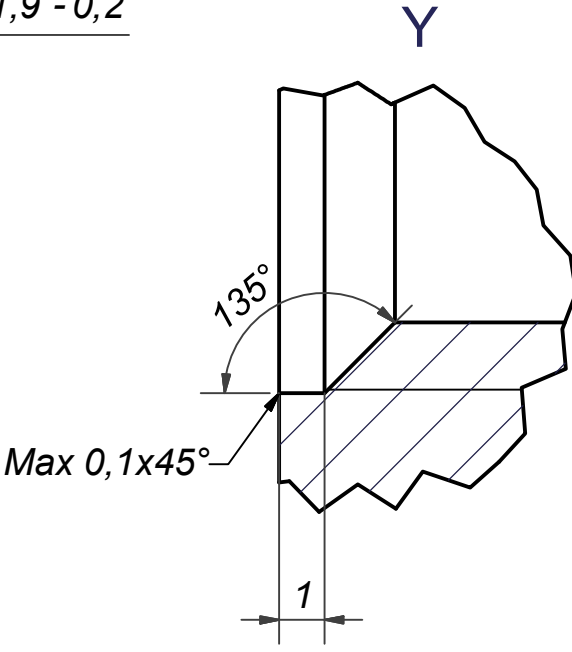
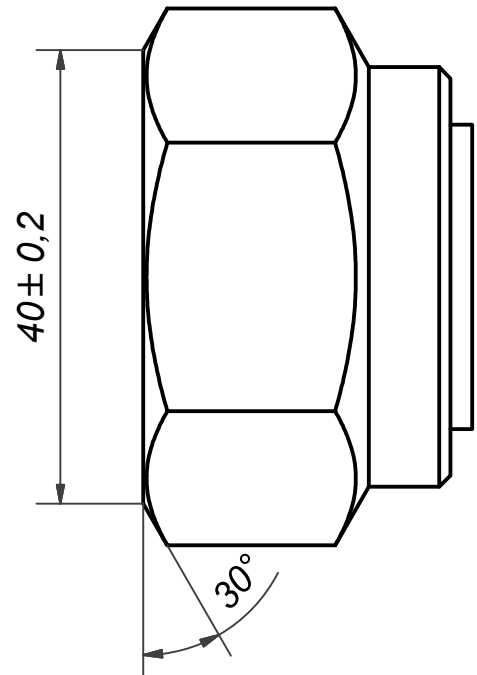
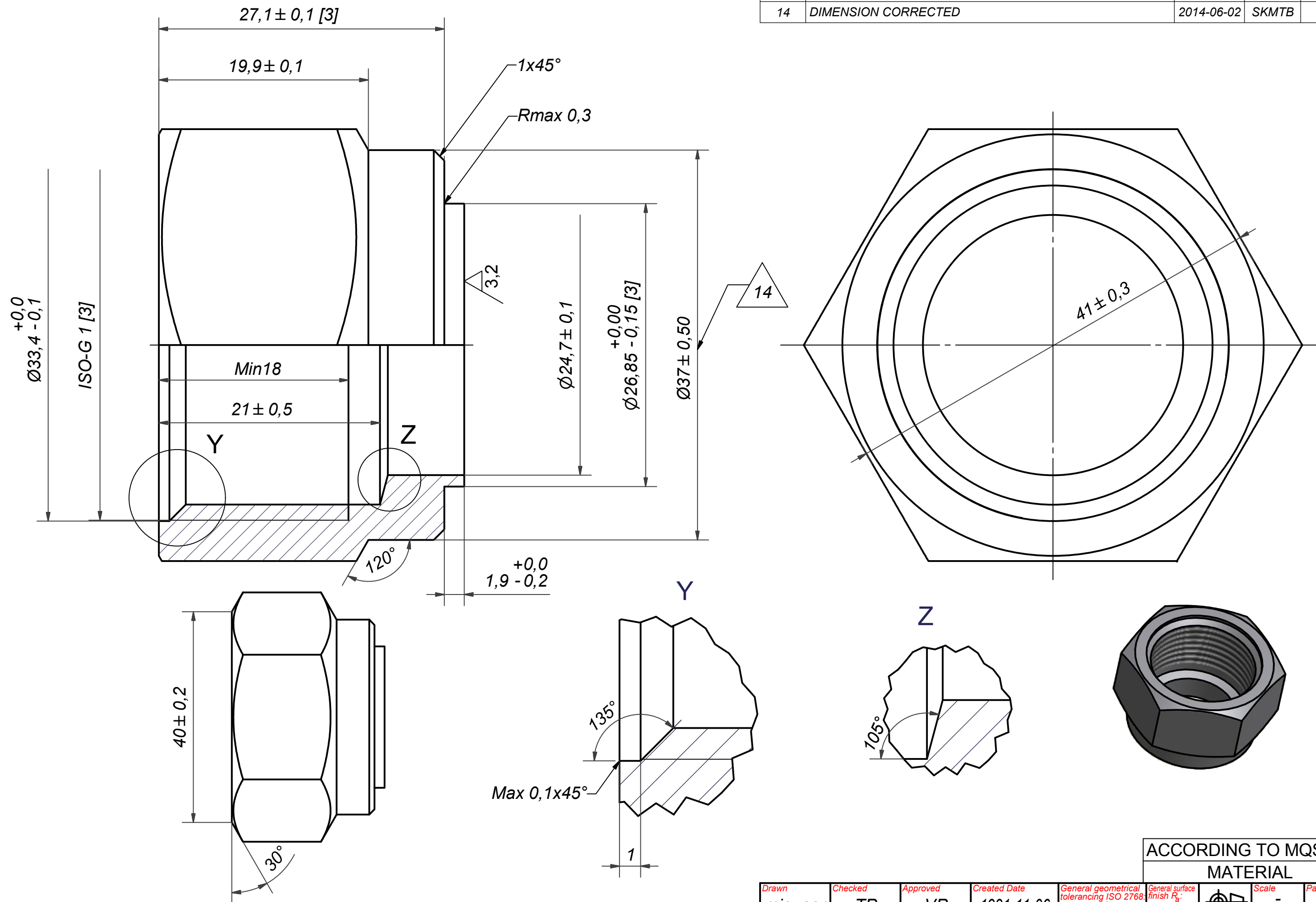
NOTE 1 ALTERNATE MARKING: STICKER OR STAMP

F4	45410	ISO-G 3/4 (INT- HEX), TH = 27,1	CD000006
F3	45397	ISO-G 1 INT. HEX., TH = 27,1	CD000001
F2	45410	ISO-G 3/4 (INT- HEX), TH = 27,1	CD000006
F1	45397	ISO-G 1 INT. HEX., TH = 27,1	CD000001

Pos	Article No	Title / Denomination, code, material, dimension etc	Drawing No./ref	Pos	Article No	Title / Denomination, code, material, dimension etc	Drawing No./ref
-----	------------	-----------------------------------------------------	-----------------	-----	------------	-----------------------------------------------------	-----------------


Title		B10TH/1P-SC-S	
 A DOVER COMPANY		Created Date	2017-10-19
		Created By	AU
Article/Configuration number		13823-040	
Drawing number		AU00311209	

Rev No	Alteration	Date	Checked	Approved
14	DIMENSION CORRECTED	2014-06-02	SKMTB	VP



NOTE 2: DEBURR SHARP EDGES ; MAX 0,4
NOTE 1:[3] - CRITICAL/SPECIAL CHARACTERISTIC TO BE FOLLOWED

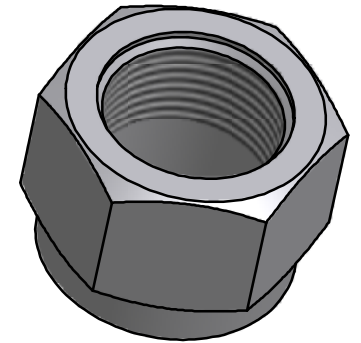
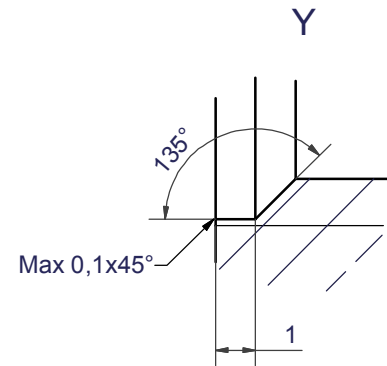
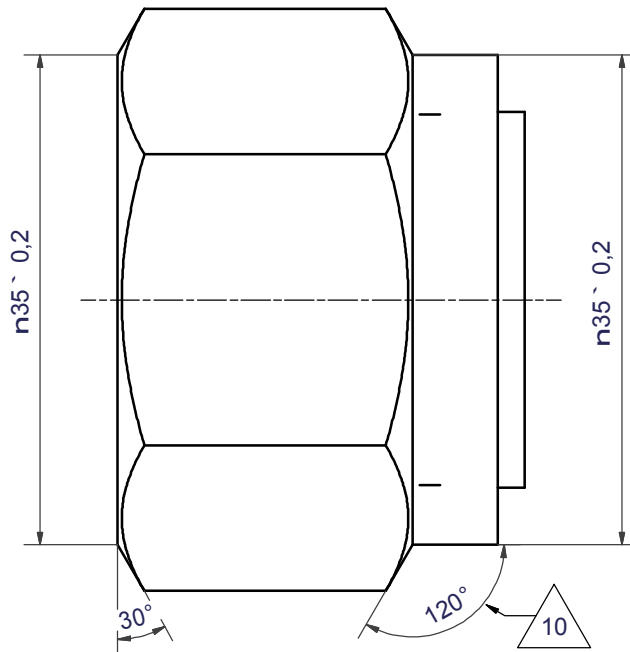
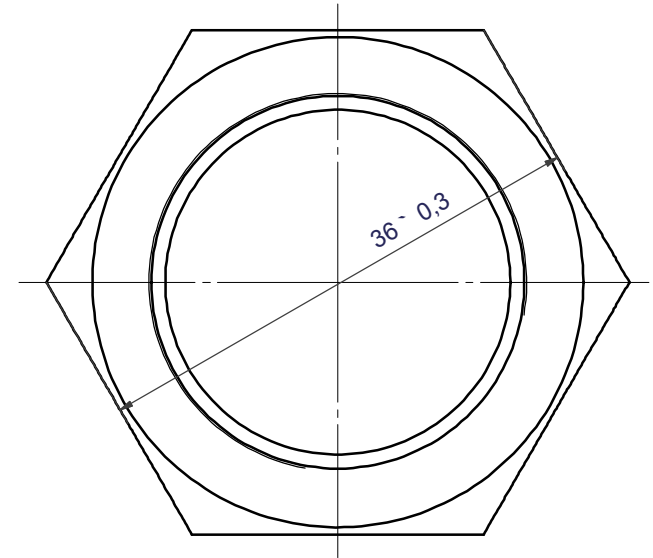
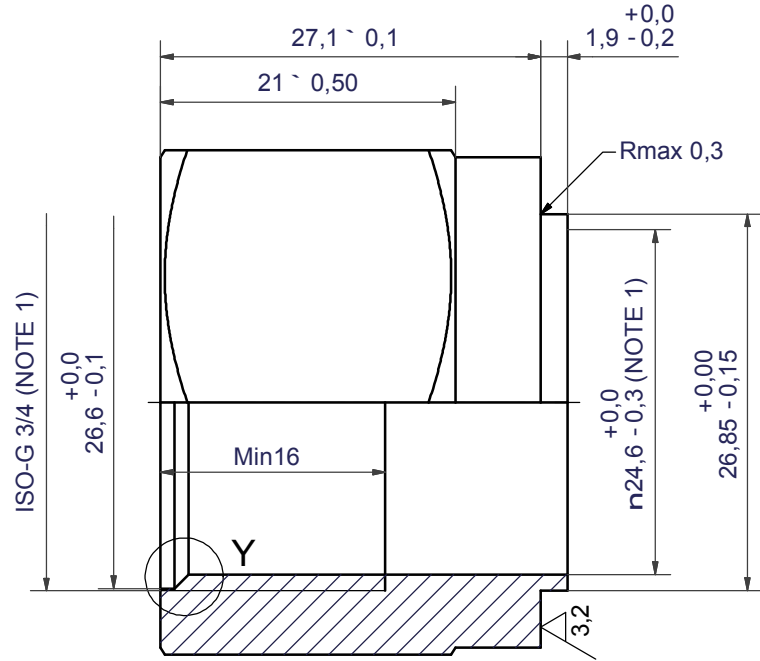
ACCORDING TO MQS
MATERIAL

Drawn miguser	Checked TP	Approved VP	Created Date 1991-11-06	General geometrical tolerancing ISO 2768: m	General surface finish R_a : 3.2	Scale -	Paper size A3
			ISO-G 1 INT. HEX.				
Article number -	Design Type CD	Drawing number CD000001	Revision 14	Sheet 1 (1)			

© Company Confidential, Property of SWEP International AB




Rev No	Alteration	Date	Checked	Approved
10	ADDED DIMENSION. TITLE UPDATED.	28. 1. 2013	SKZE	PDM



NOTE 1: THREADS MAX INNER DIAMETER SHOULD BE WITHIN SPECIFIED HOLE TOLERANCE
 NOTE 2: DEBURR SHARP EDGES; MAX 0,4

© Company Confidential. Property of SWEP International AB

AXINTRA
 ÉCHANGEURS THERMIQUES

Drawn HR	Checked TP	Approved PDM	Created Date 31. 8. 1992	General geometrical tolerancing ISO 2768 m	General surface finish R_a 3.2	Scale -	Paper size A3
 A DOVER COMPANY			Title ISO-G 3/4 (INT- HEX)				
Article / Tool number		Design Type	Drawing number	Revision	Sheet		
CD		CD000006	10	1 (1)			