

# B120T

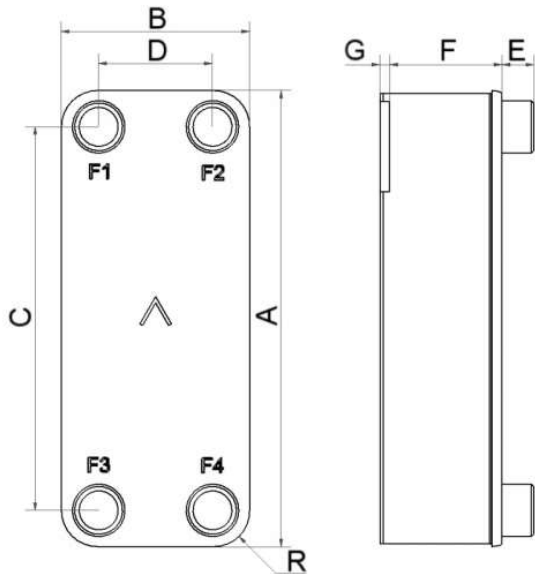
Le B120T a été spécialement conçu pour fonctionner dans des applications de chauffage et industrielles exigeantes, généralement des applications eau-eau et des refroidisseurs d'huile. Ce produit a contribué à l'échange rapide des échangeurs de chaleur traditionnels à plaques et joint, ou à calandre en faveur des BPHE. Il est largement utilisé comme condenseur dans des applications de climatisation et de réfrigération.



## Spécifications de base

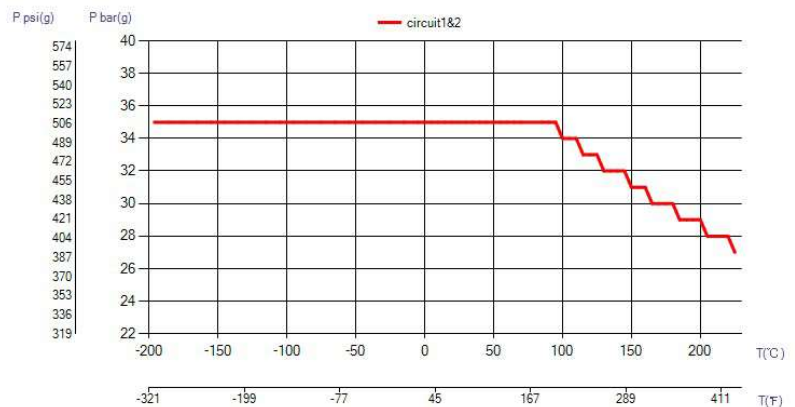
Nombre de plaques max. (NoP)	250
Débit volumétrique max.	27,4 m <sup>3</sup> /h (17.61 gpm)
Volume du canal	0.241/0.241 dm <sup>3</sup> (0.0085/0.0085 ft <sup>3</sup> )
Matières	Plaques en acier inoxydable 316, brasage cuivre
Poids sans les connexions	8.33+(0.404*NoP) kg 18.36+(0.891*NoP) lb

## Les dimensions standard



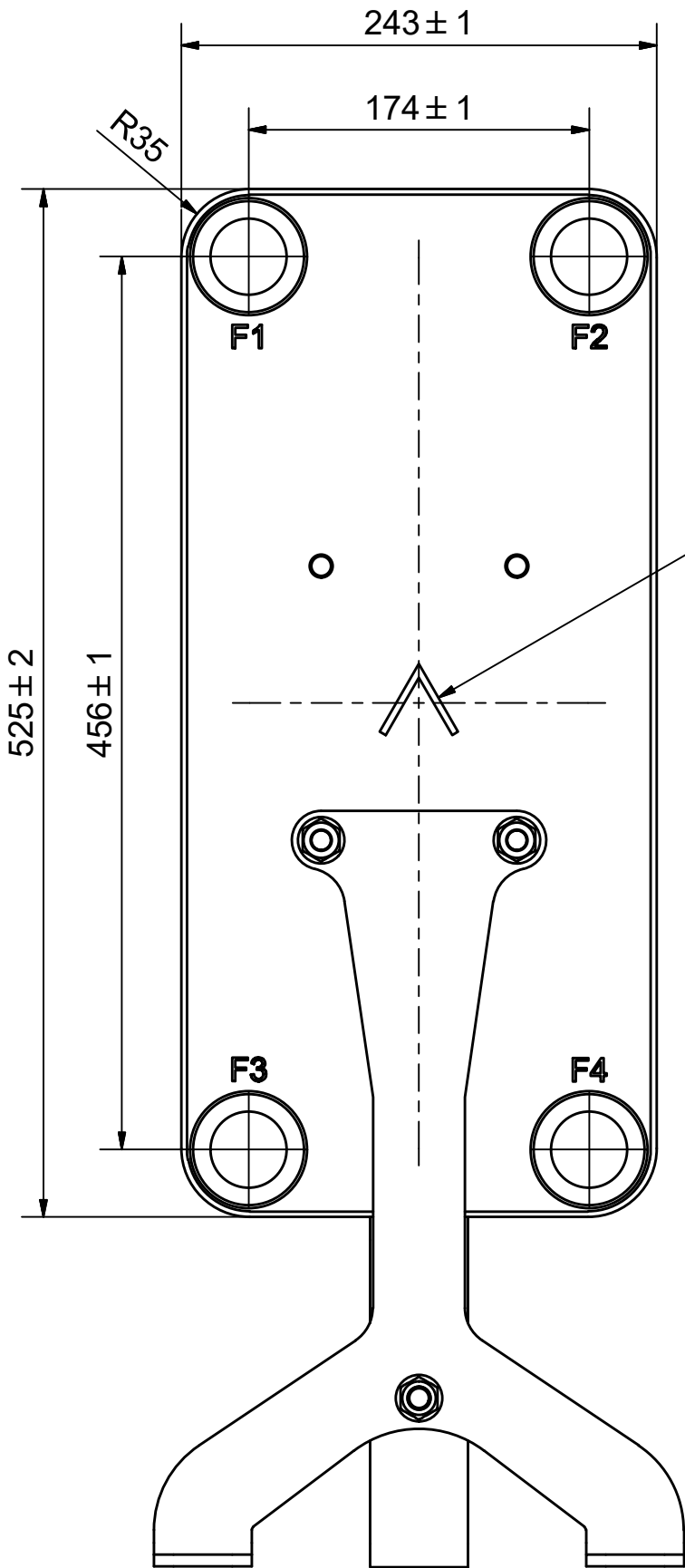
#	MM	IN
A	525	20.67
B	243	9.57
C	456	17.95
D	174	6.85
F	10.00+2.29*(NoP)	0.39+0.09*(NoP)
G	4	0.16
R	35	1.38
E_1	27	1.06

## PED pression / température

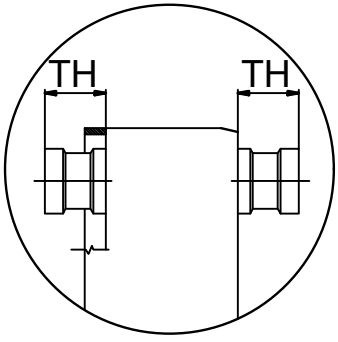
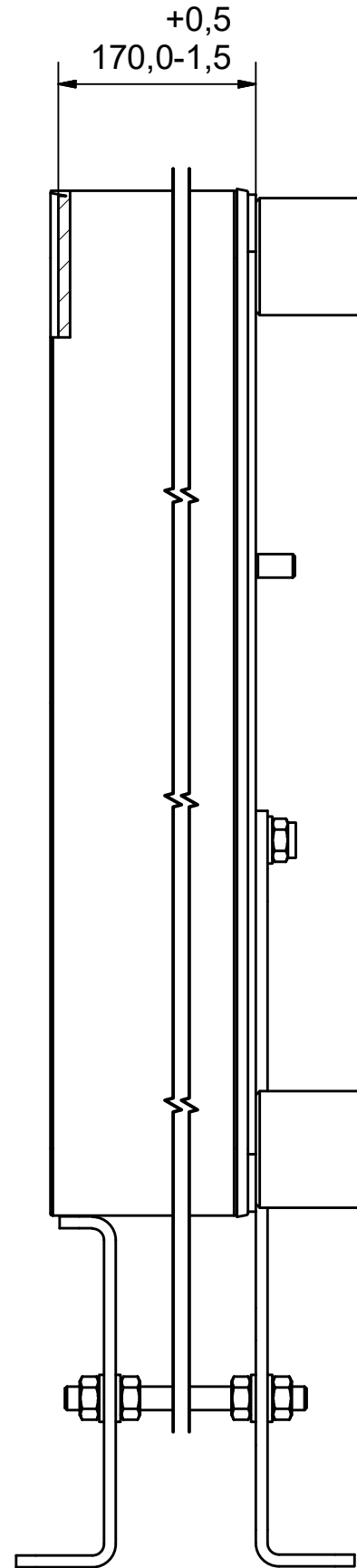


# AXINTRA

ÉCHANGEURS THERMIQUES



NOTE 1



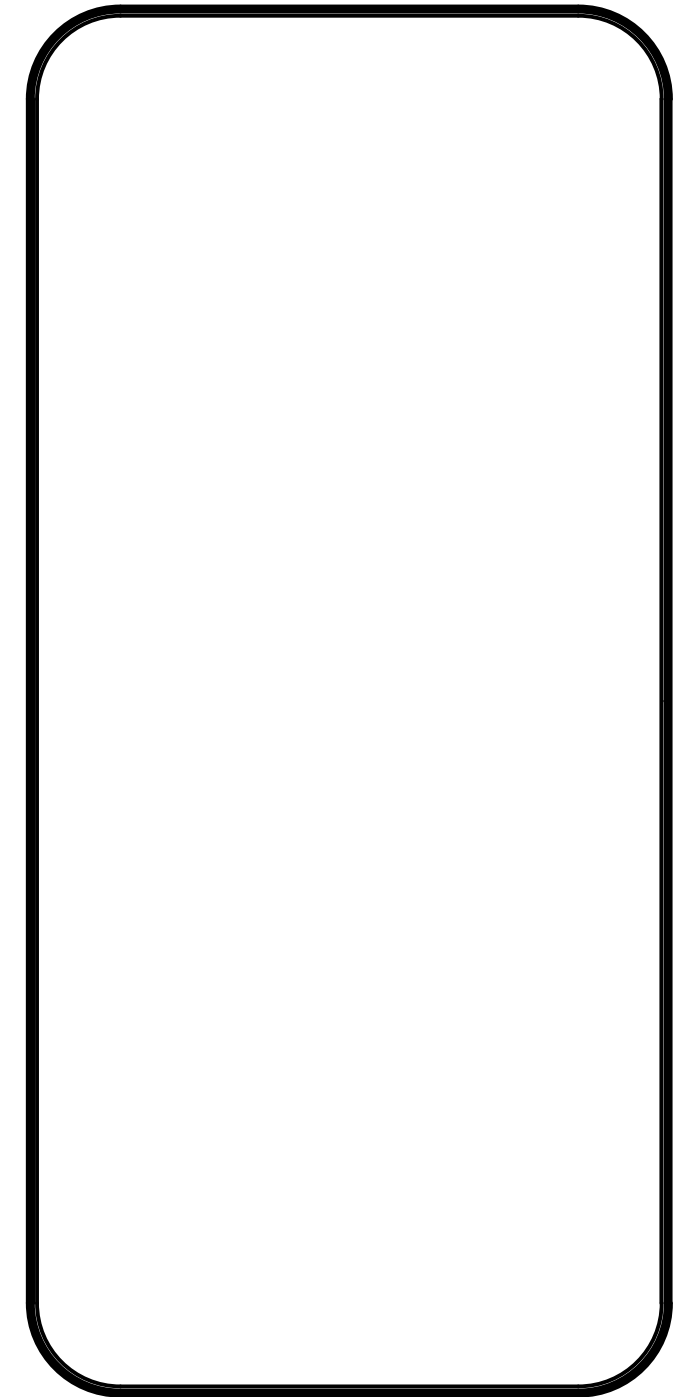
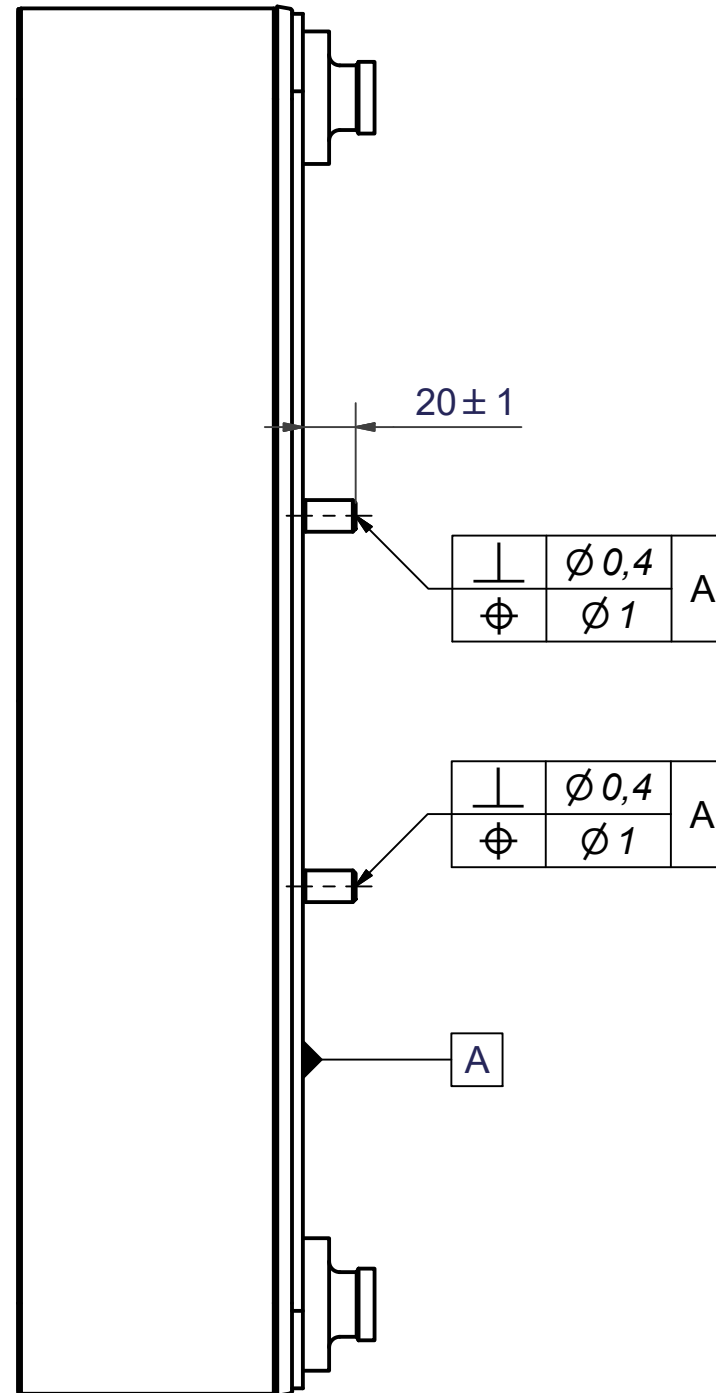
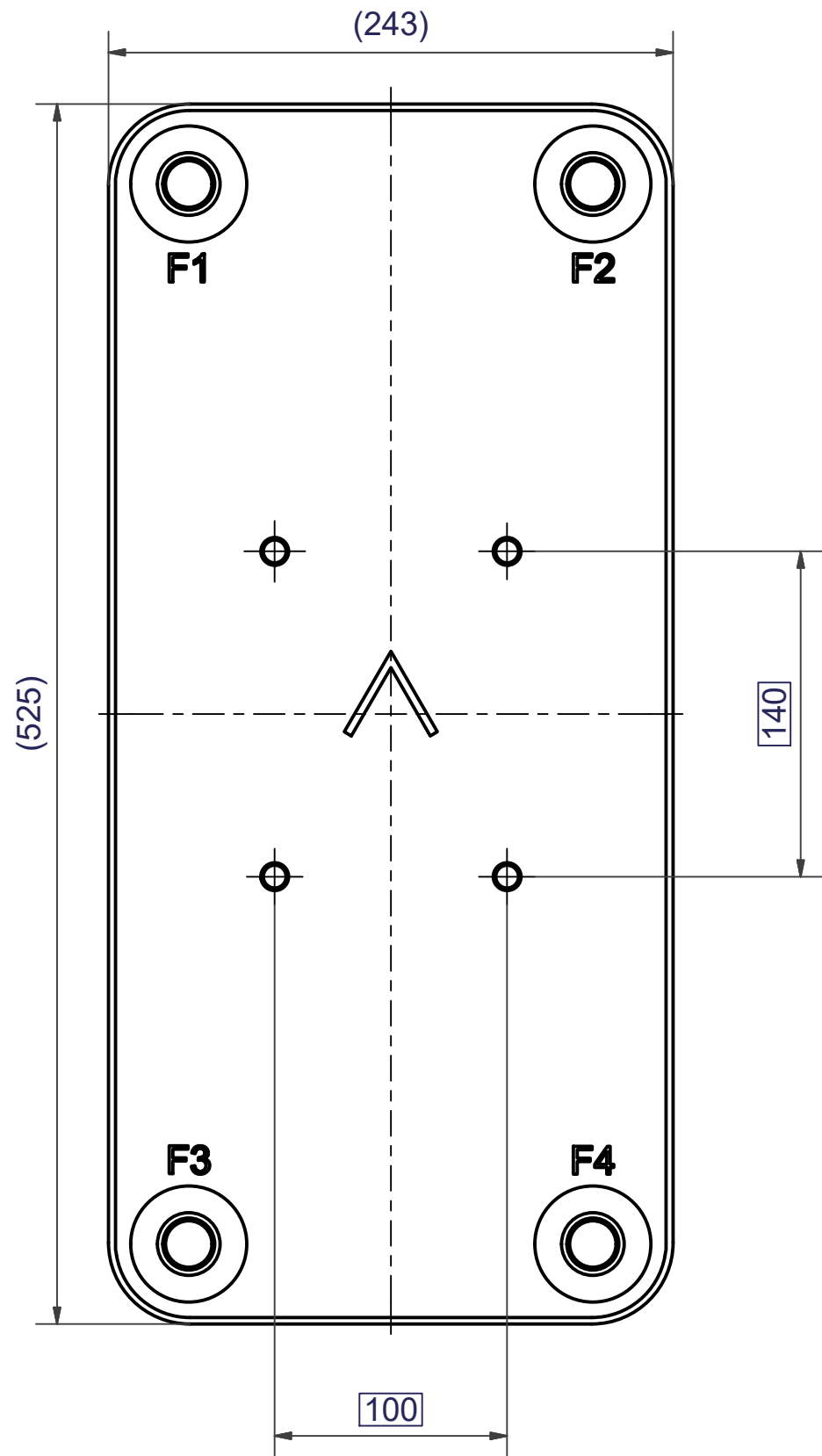
NOTE 1 ALTERNATE MARKING: STICKER OR STAMP

F4	45134	ISO-G 2 A, TH = 54.2	CD000041
F3	45134	ISO-G 2 A, TH = 54.2	CD000041
F2	45134	ISO-G 2 A, TH = 54.2	CD000041
F1	45134	ISO-G 2 A, TH = 54.2	CD000041
F	28020	B120T/50/57 SUPPORT LEG	CG450025_2
F	21118	B120T/50 BOLT LOC F 4x C140x100	CG450024_1



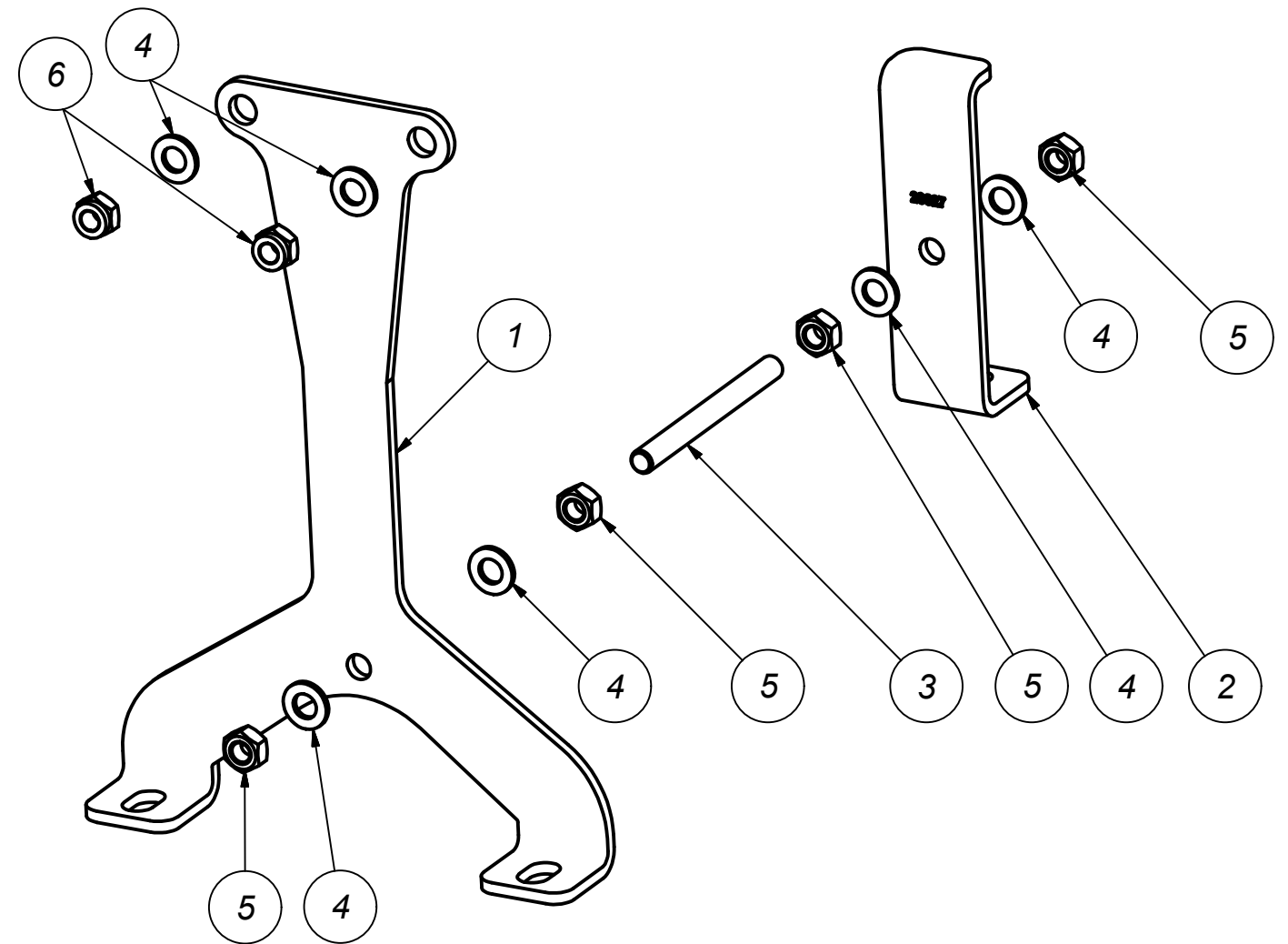
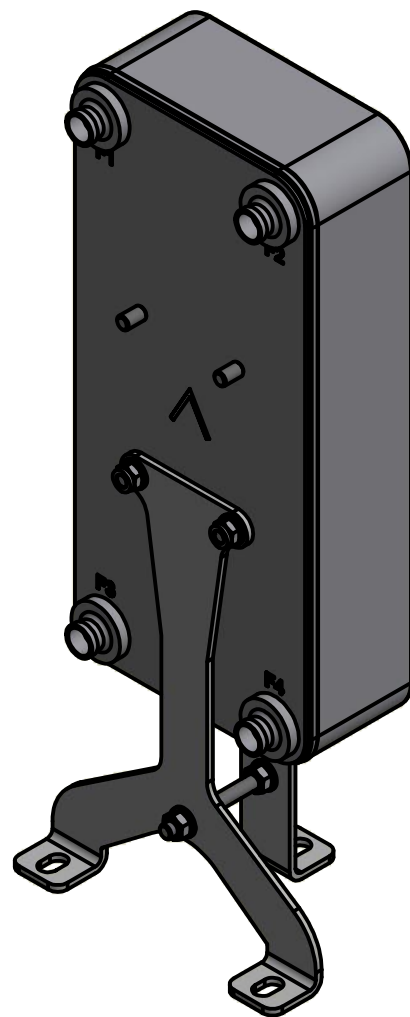
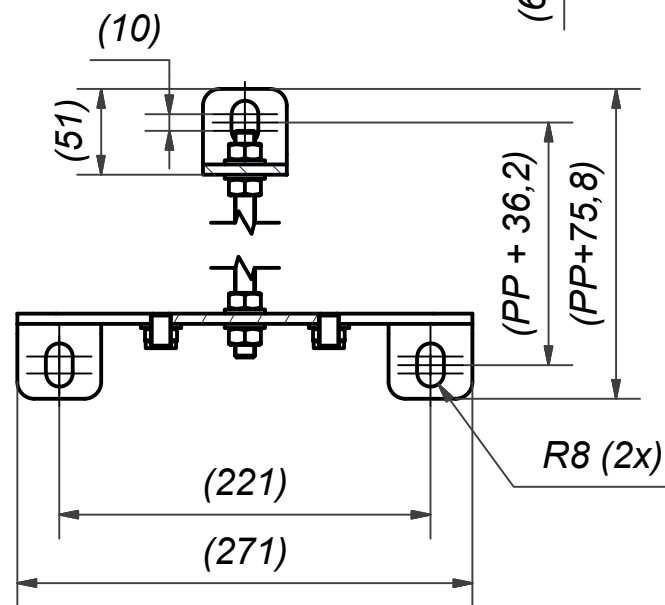
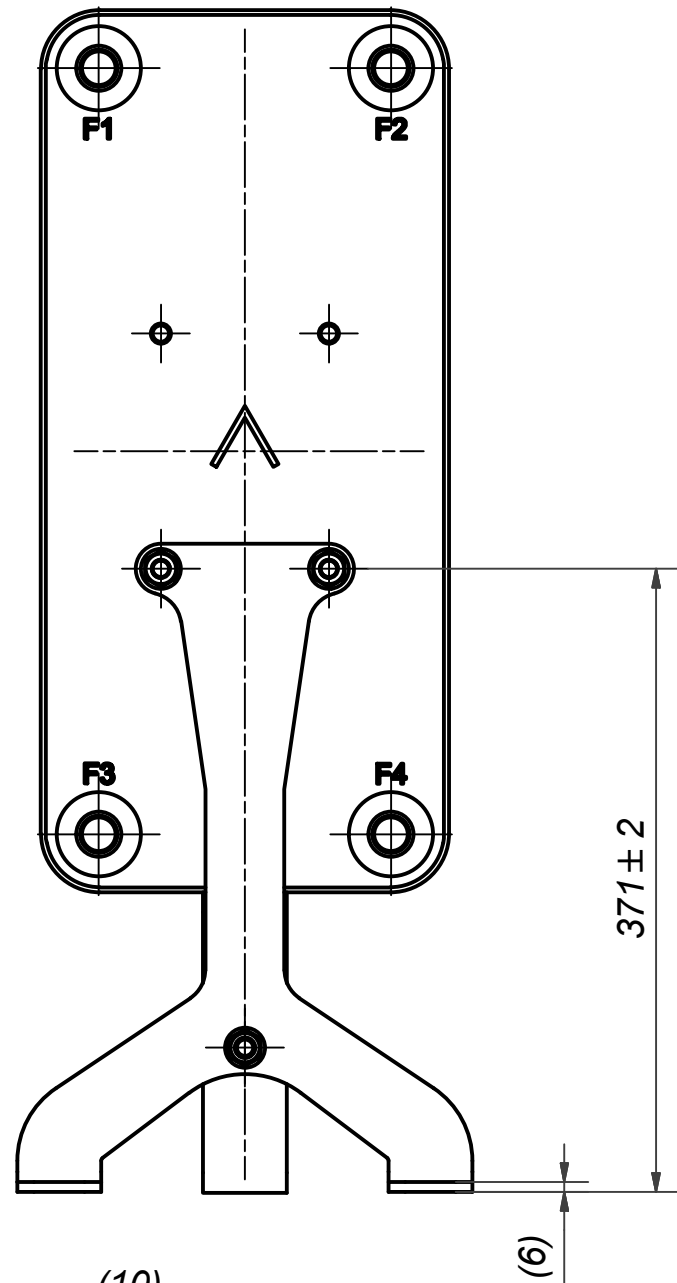
Title		B120TH/1P-SC-S	
 A DOVER COMPANY	Created Date	Created By	
	9/2/2022	AU	
Article/Configuration number		Drawing number	
13975-		AU00715546_13975-	

Pos	Article No	Title / Denomination, code, material, dimension etc	Drawing No./ref	Pos	Article No	Title / Denomination, code, material, dimension etc	Drawing No./ref
-----	------------	---	-----------------	-----	------------	---	-----------------

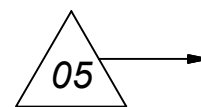


1	4	STUD BOLT M12x20 ART. NO. 45095	M12x20
IT	QTY	DESCRIPTION	Drawing No./Ref
lathe	PDM	PDM	2004-10-12
		General geometrical tolerancing ISO 2768: m	General surface finish R <sub>a</sub> : 3.2
		1:1	
		<b>B120T/50 BOLT LOC F 4x C140x100</b>	
Article number <b>21118</b>		Drawing number <b>CG450024</b>	
		Revision <b>00</b>	
		Sheet <b>1 (1)</b>	

Rev No	Alteration	Date	Checked	Approved
05	Added 320 size to NOTE 1.	2018-06-12	SKDS	PDM



**NOTE 3: LENGTH OF THREADED BAR ACCORDIN DRAWING.**  
**NOTE 2: FOR B57 WITH STD Conn. STUD BOLT 21235 IS REQUIRED.**  
**NOTE 1: REQUIRES STUD BOLT 21118, 21120 (B45, B50, B56, B200, 120T, 320LT, 320HT).**



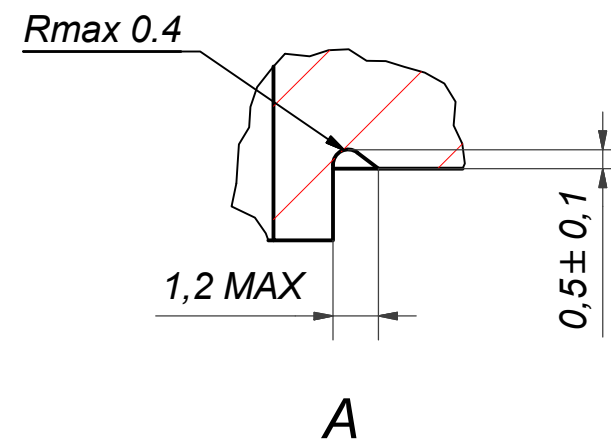
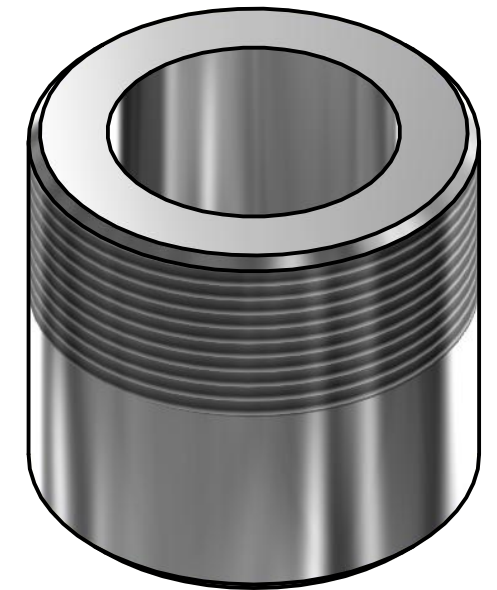
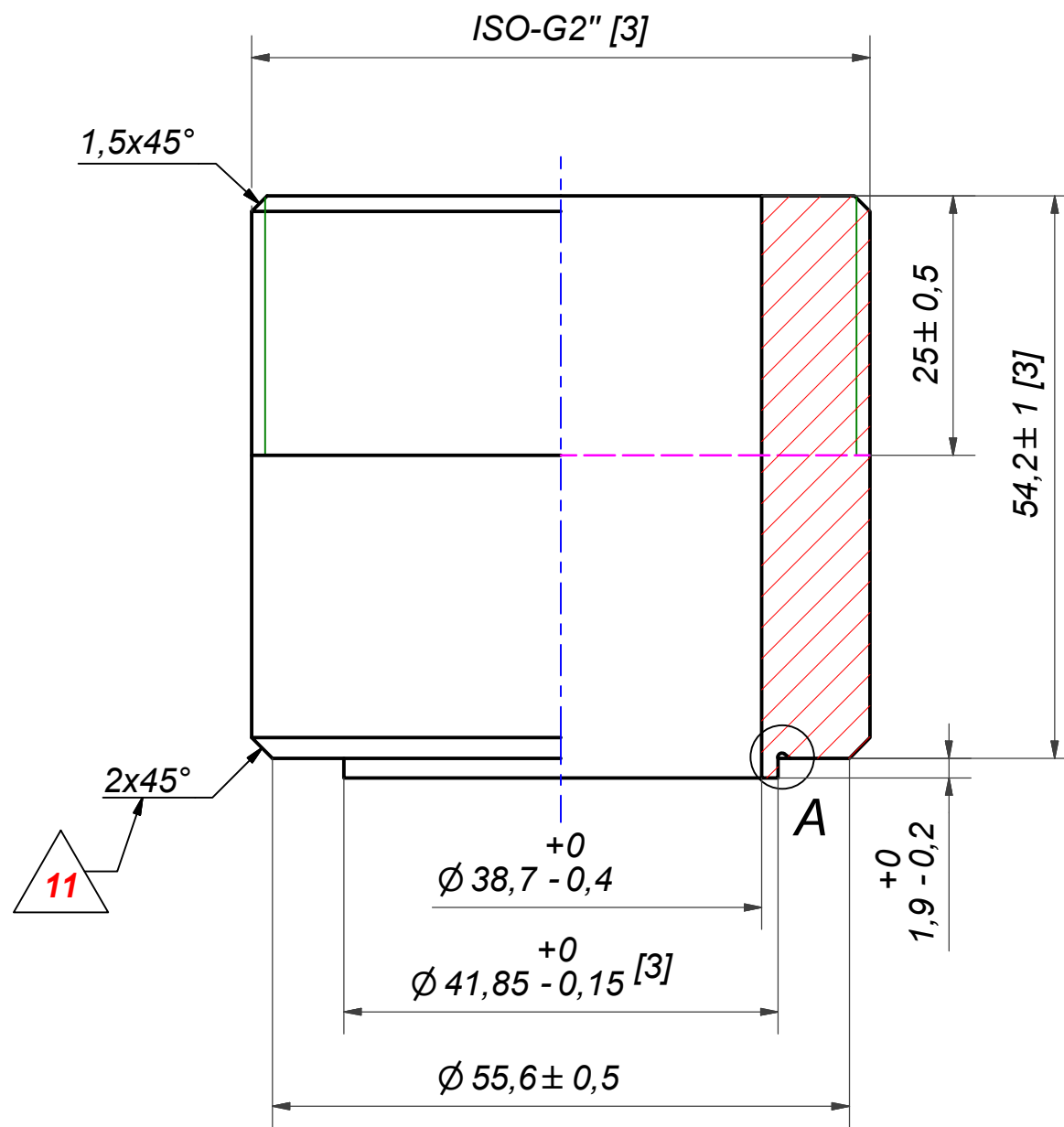
ITEM	QTY	TITLE	Drawing No.
6	2	R-LOCKNUT M12 A2, 45523	DIN 985 - M12
5	4	NUT M12 M6M 8M FZB, 45889	DIN 934 - M12
4	6	WASHER ART. NO 45524	13x24x2.5
3	1	THREADED BAR M12	CC000168
2	1	B35/45/50/57 SUPPORT LEG. ART.NO.28027	CC000165
1	1	B45/50/57 SUPPORT LEG, ART.NO. 28029	CC000167

Drawn	Checked	Approved	Created Date	General geometrical tolerancing ISO 2768	General surface finish $R_a$	Scale	Paper size
lathe	PDM	PDM	2005-07-27			-	A3



Title				
<b>B120/50/57 SUPPORT LEG</b>				
Article / Tool number	Design Type	Drawing number	Revision	Sheet
0	CG	CG450025	05	1 (1)

Rev No	Alteration	Date	Checked	Approved
11	Add chamfer for copper clogging refer to RD101676 ECN-000160	2021-06-09	CNFRG	PDM



**NOTE 1: DEBURR SHARP EDGES; MAX 0.4**

**NOTE 2: [3]-CRITICAL/SPECIAL CHARACTERISTICS TO BE FOLLOWED**

© Company Confidential, Property of SWEP International AB

**AXINTRA**  
ÉCHANGEURS THERMIQUES

ACCORDING TO MQS  
MATERIAL

Drawn	Checked	Approved	Created Date	General geometrical tolerancing ISO 2768:	General surface finish $R_a$ :	Scale	Paper size
miguser	PDM	PDM	1990-09-08	mK	3.2	-	A3
			Title				
			ISO-G 2"				
			Article number	Design Type	Drawing number	Revision	Sheet
				CD	CD000041	11	1 (1)