

B3

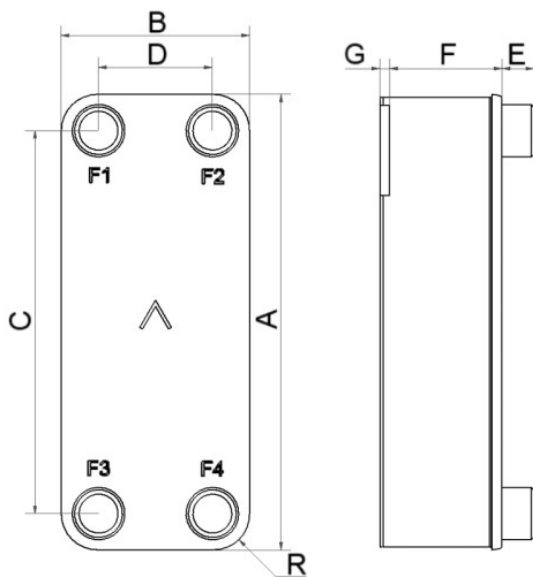
L'unique B3 permet d'obtenir un échange thermique efficace dans les applications à faible débit qui exigent un encombrement extrêmement réduit. Facile à installer et à utiliser, ce produit est compact mais polyvalent. C'est donc un choix particulièrement adapté aux économiseurs et aux refroidisseurs d'eau de petite taille.



Spécifications de base

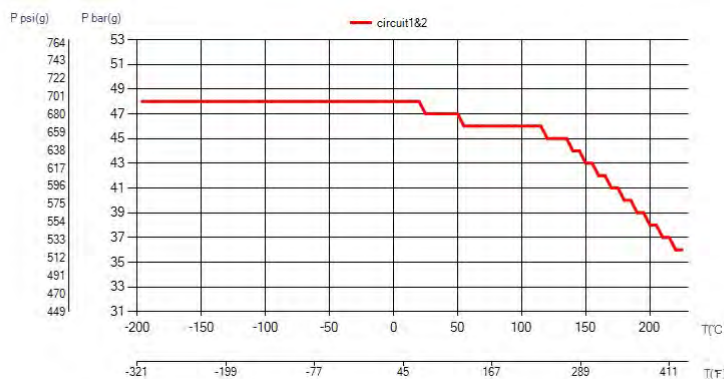
Nombre de plaques max. (NoP)	60
Débit volumétrique max.	1,6 m ³ /h (26.42 gpm)
Volume du canal	0.0052/0.0052 dm ³ (0.0002/0.0002 ft ³)
Matières	Plaques en acier inoxydable 304, brasage cuivre
Poids sans les connexions	0.11+(0.016*NoP) kg 0.24+(0.035*NoP) lb

Les dimensions standard



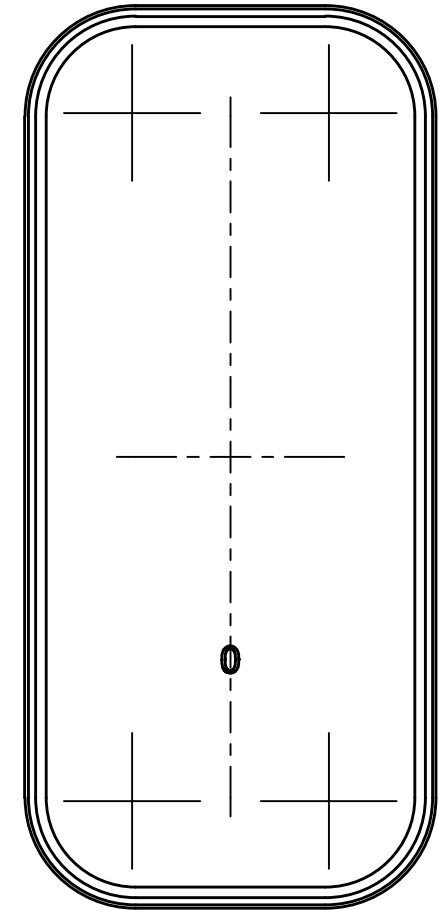
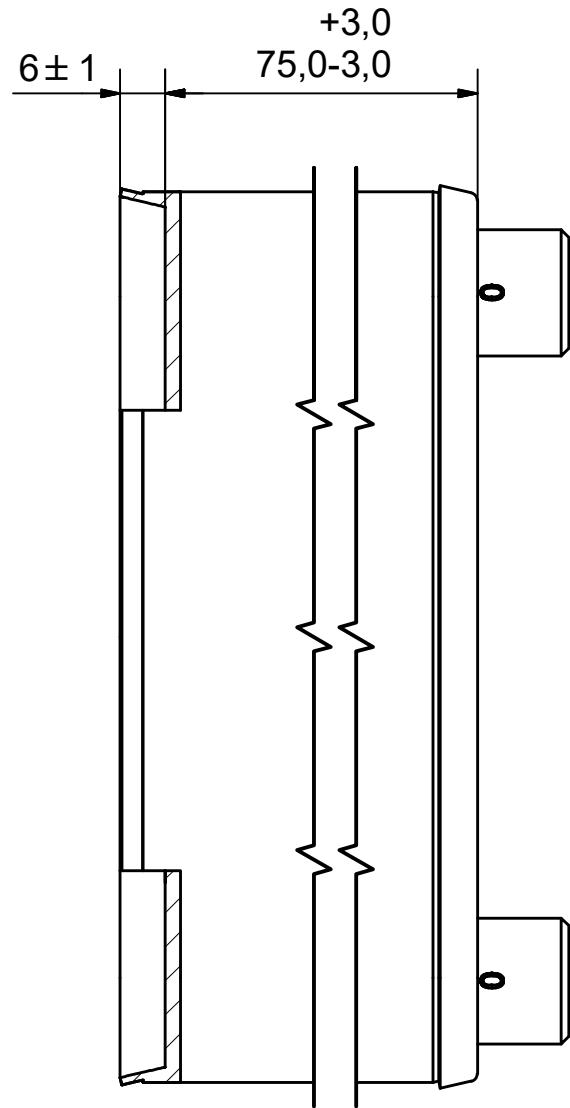
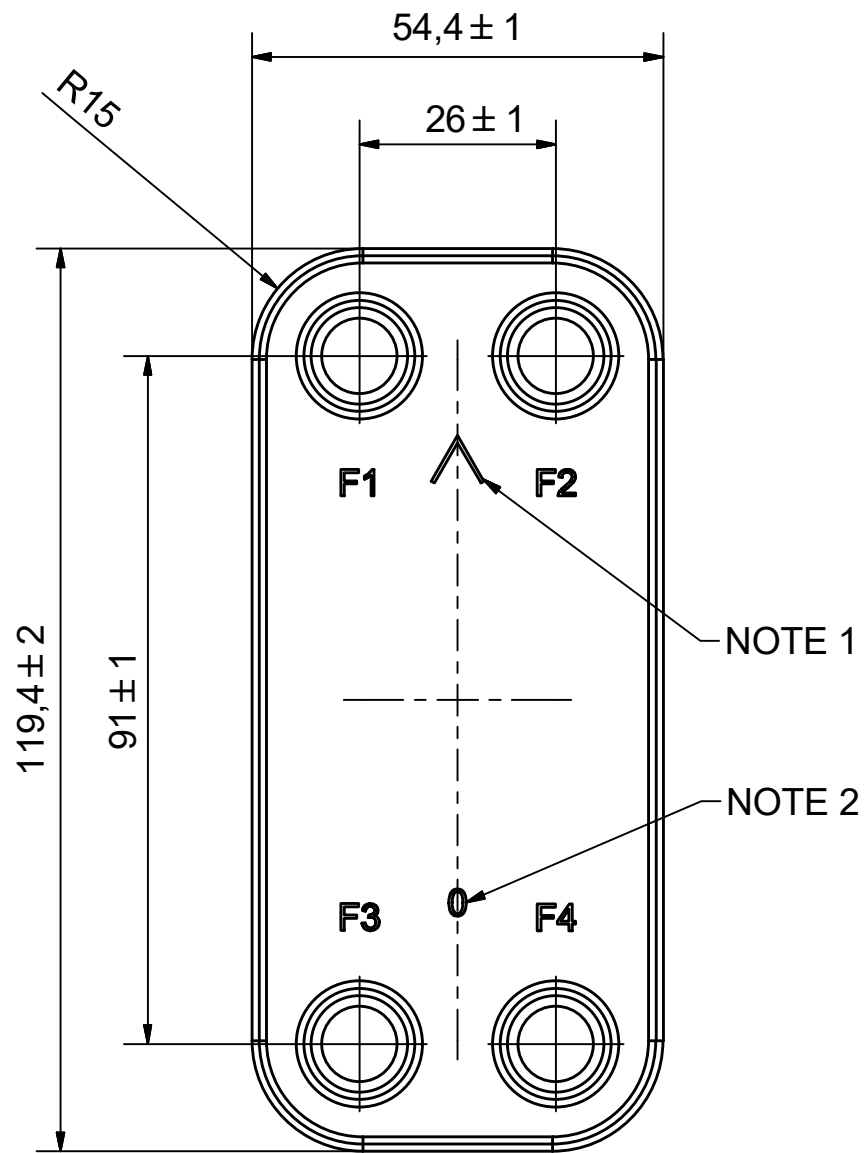
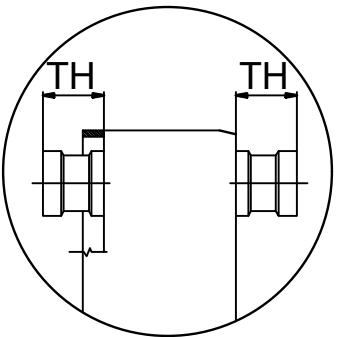
#	MM	IN
A	119.40	4.7
B	54.40	2.14
C	91	3.58
D	26	1.02
F	2.00+1.22*(NoP)	0.08+0.05*(NoP)
G	6	0.24
R	15	0.59
E_1	12	0.47

PED pression / température



AXINTRA

ÉCHANGEURS THERMIQUES





NOTE 1 ALTERNATE MARKING: STICKER OR STAMP
 NOTE 2 MARKING TEXT "0" FOR IDENTIFICATION ONLY
 0= AISI 304

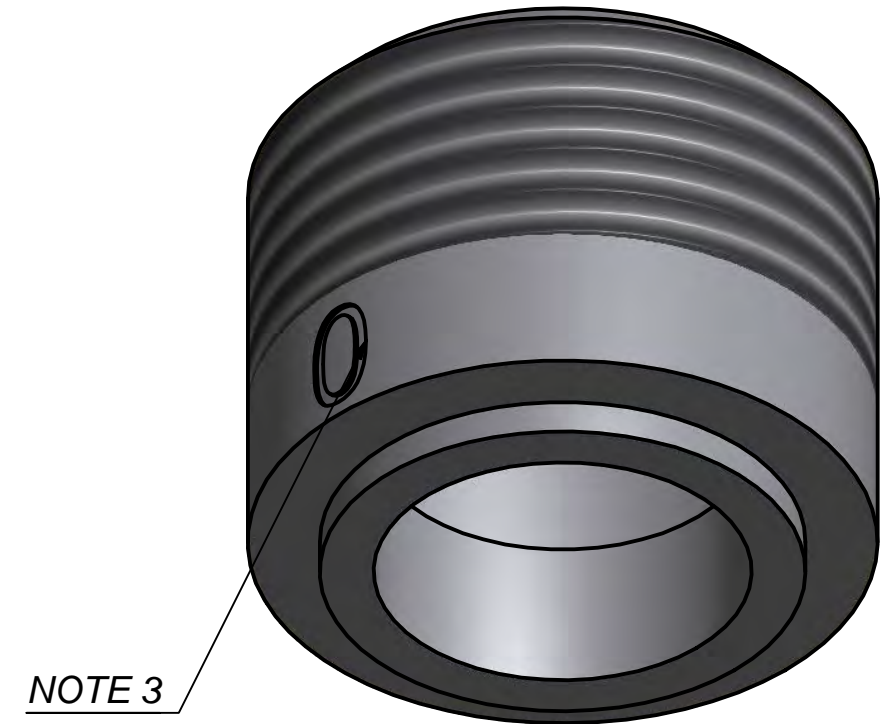
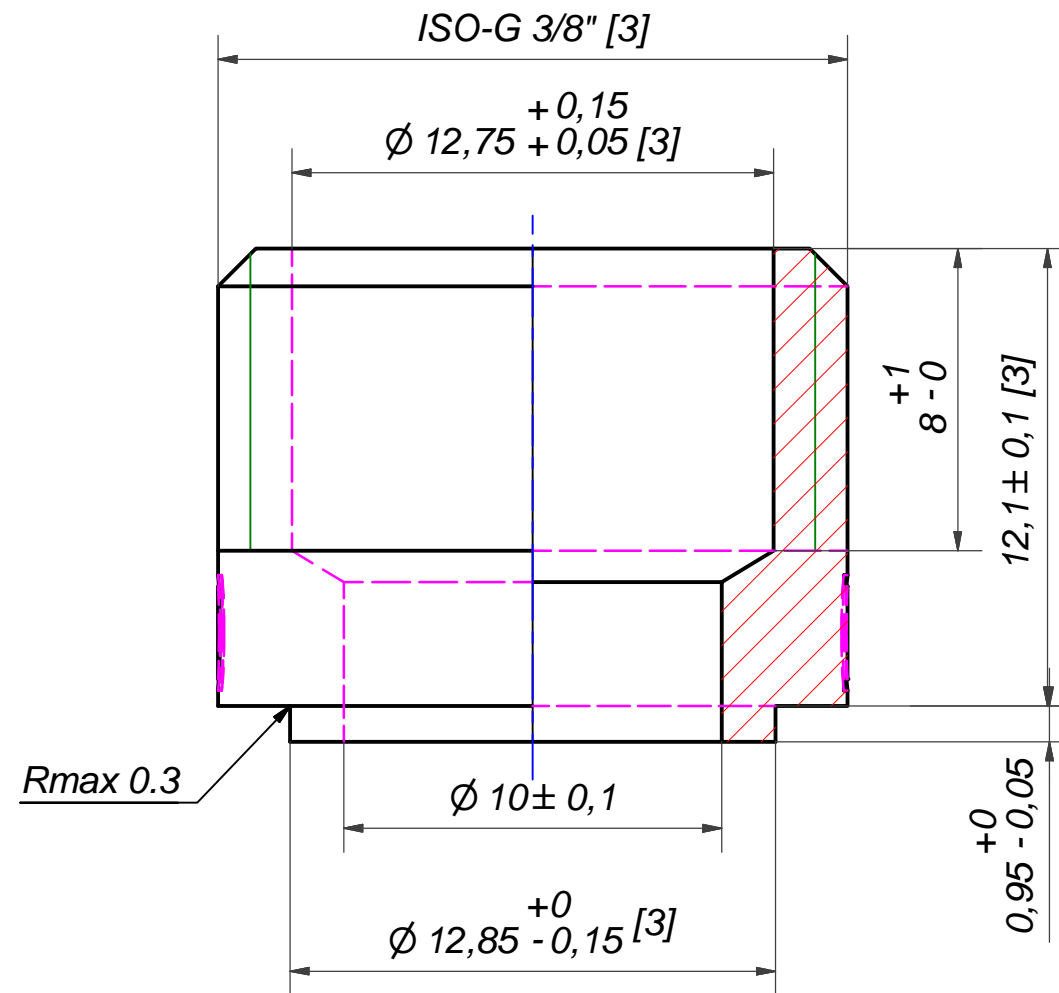


F4	60264	ISO G3/8"-Solder 12.8 H12, TH = 12.1	00022651
F3	60264	ISO G3/8"-Solder 12.8 H12, TH = 12.1	00022651
F2	60264	ISO G3/8"-Solder 12.8 H12, TH = 12.1	00022651
F1	60264	ISO G3/8"-Solder 12.8 H12, TH = 12.1	00022651

Pos	Article No	Title / Denomination, code, material, dimension etc	Drawing No./ref	Pos	Article No	Title / Denomination, code, material, dimension etc	Drawing No./ref
-----	------------	---	-----------------	-----	------------	---	-----------------

Title		B3H/1P-NC-M	
 A DOVER COMPANY	Created Date	8/22/2022	Created By
	Article/Configuration number	16591-060	Drawing number
		AU	
			
		AU00713617_16591-060	


Rev No	Alteration	Date	Checked	Approved
00				PDM



NOTE 3: MARKING TEXT "0" ONLY FOR IDENTIFICATION 0=304 MATERIAL. PRESENT AT 2 PLACES 180° FROM EACH OTHER.
NOTE 2: [3] - CRITICAL/SPECIAL CHARACTERISTIC TO BE FOLLOWED
NOTE 1: DEBURR SHARP EDGES; MAX 0.4

Company Confidential, Property of SWEP International AB



304 Stainless Steel		MATERIAL							
Drawn	Checked	Approved	Created Date	General geometrical tolerancing ISO 2768	General surface finish R_a	Scale	Paper size		
cneh	PDM	PDM	2015-03-10	m	3.2	5:1	A3		
			ISO G3/8"-Solder 12.8 H12						
Article number		Design Type	Drawing number	Revision	Sheet				
		CD	00022651	00	1 (1)				