

V120T

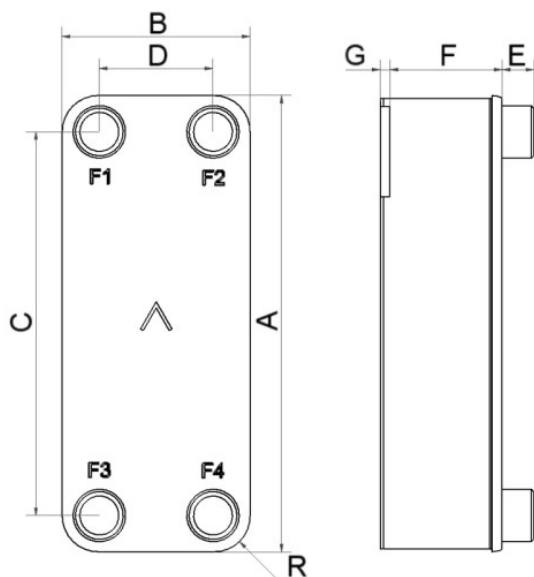
Le V120T est un évaporateur qui offre une efficacité élevée avec de nombreux réfrigérants. Il combine un format compact et un agencement de plaques spécialement développé pour créer un échangeur thermique extrêmement efficace. Le V120T est le choix idéal pour les chillers, les pompes à chaleur et les économiseurs.



Spécifications de base

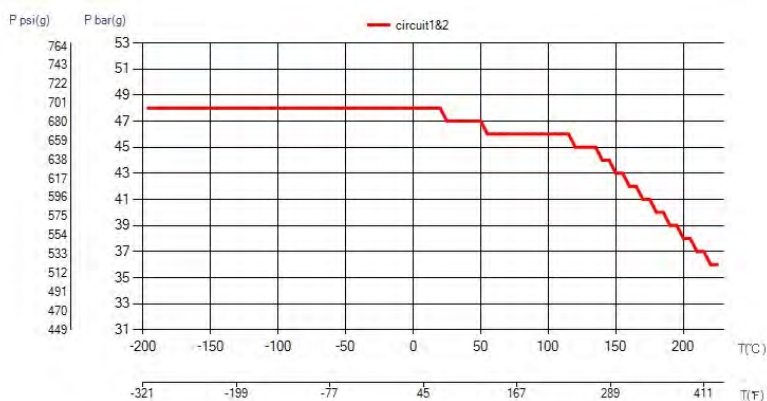
Nombre de plaques max. (NoP)	250
Débit volumétrique max.	27,4 m³/h (17.61 gpm)
Volume du canal	0.241/0.241 dm³ (0.0085/0.0085 ft³)
Matières	Plaques en acier inoxydable 316, brasage cuivre
Poids sans les connexions	8.33+(0.424*NoP) kg 18.36+(0.935*NoP) lb

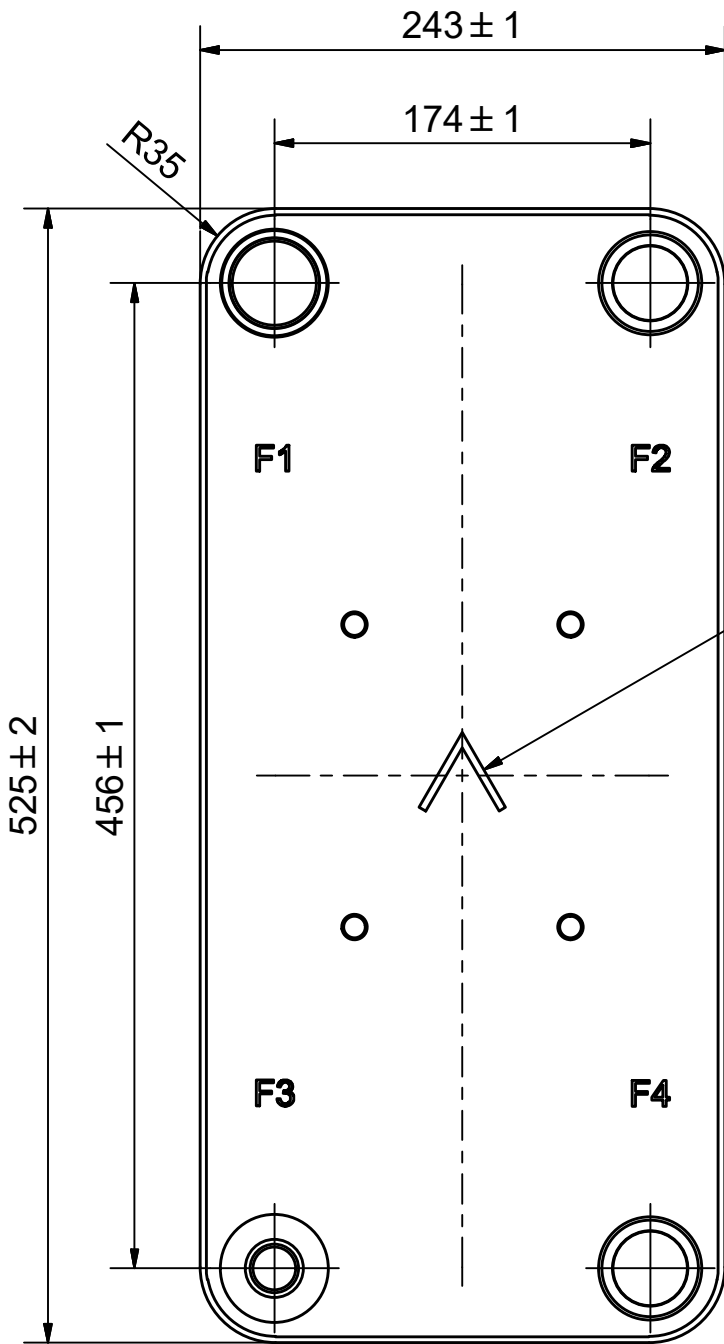
Les dimensions standard



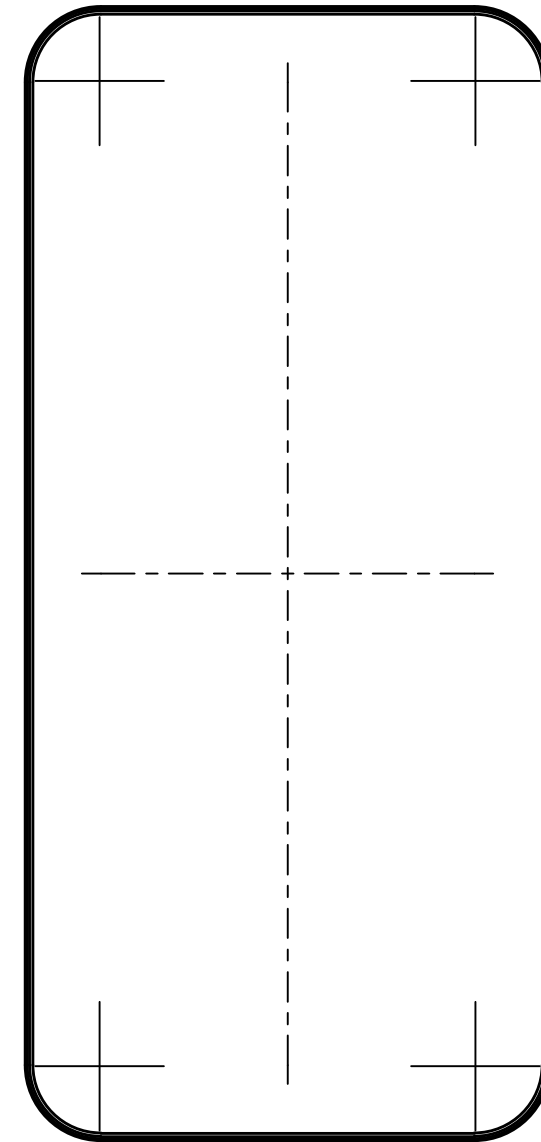
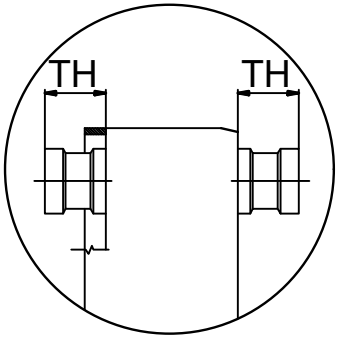
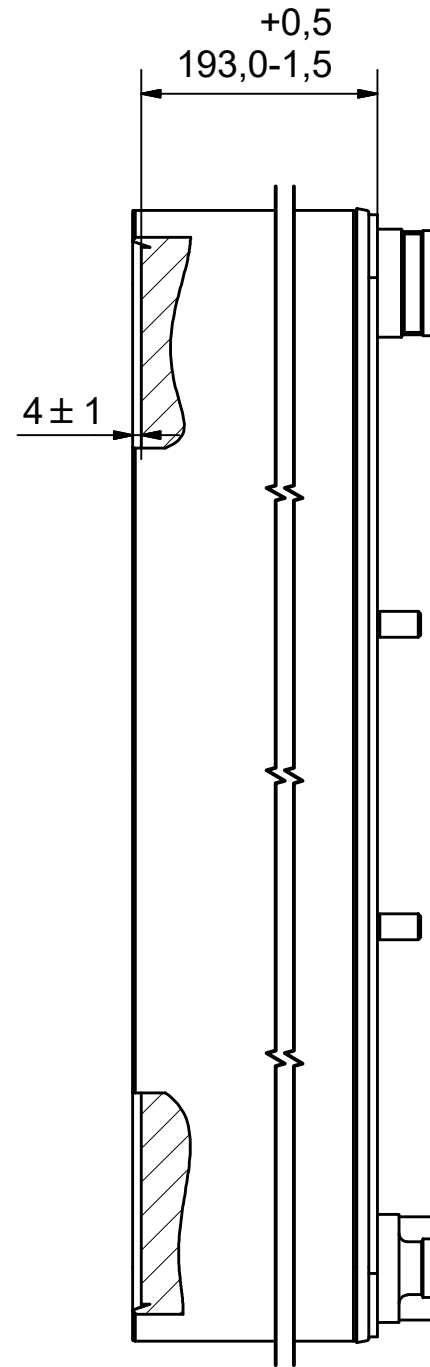
#	MM	IN
A	525	20.67
B	243	9.57
C	456	17.95
D	174	6.85
F	10.00+2.29*(NoP)	0.39+0.09*(NoP)
G	4	0.16
R	35	1.38
E_1	27	1.06

PED pression / température





NOTE 1




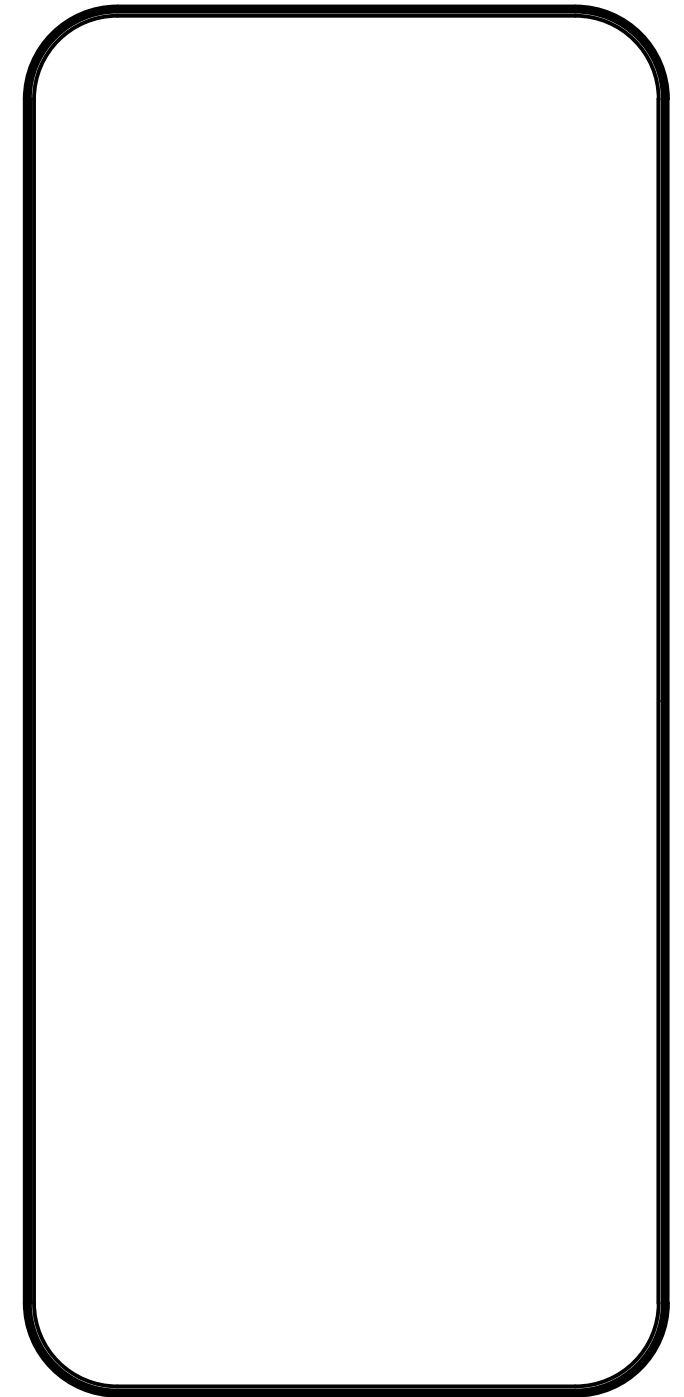
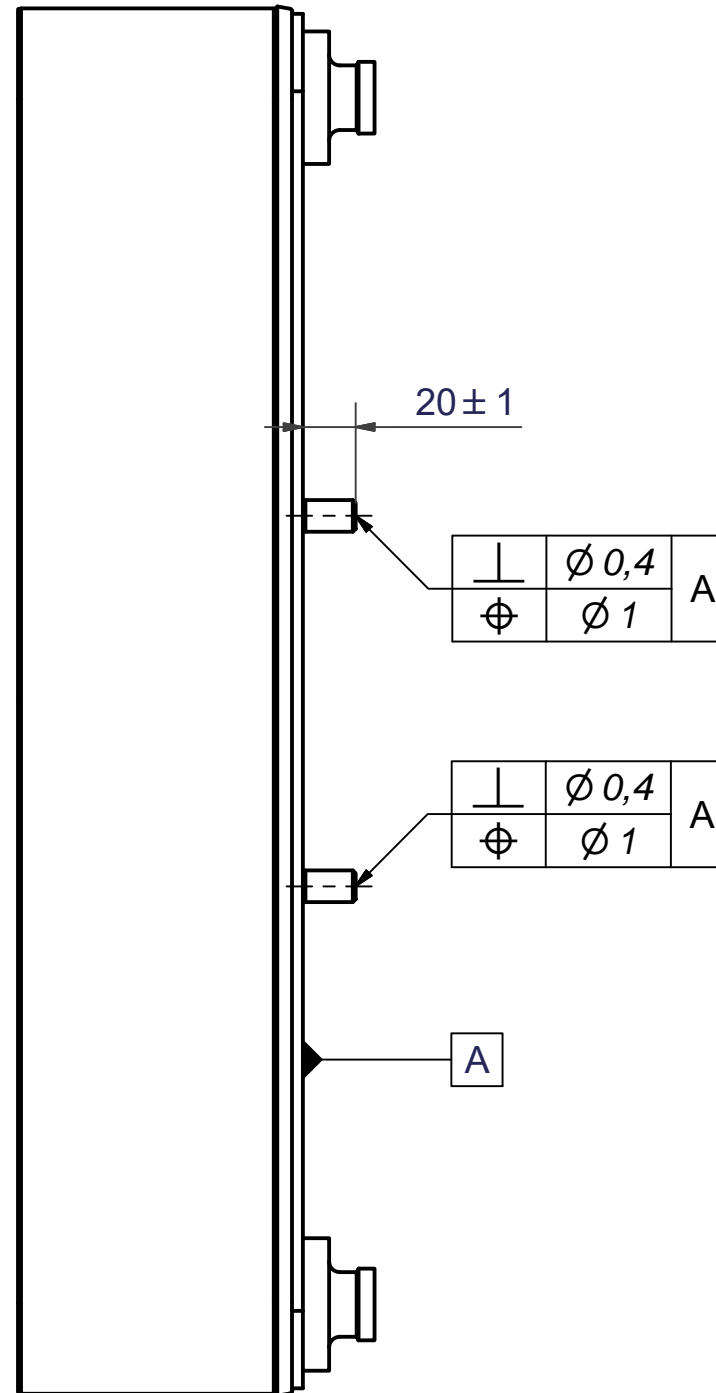
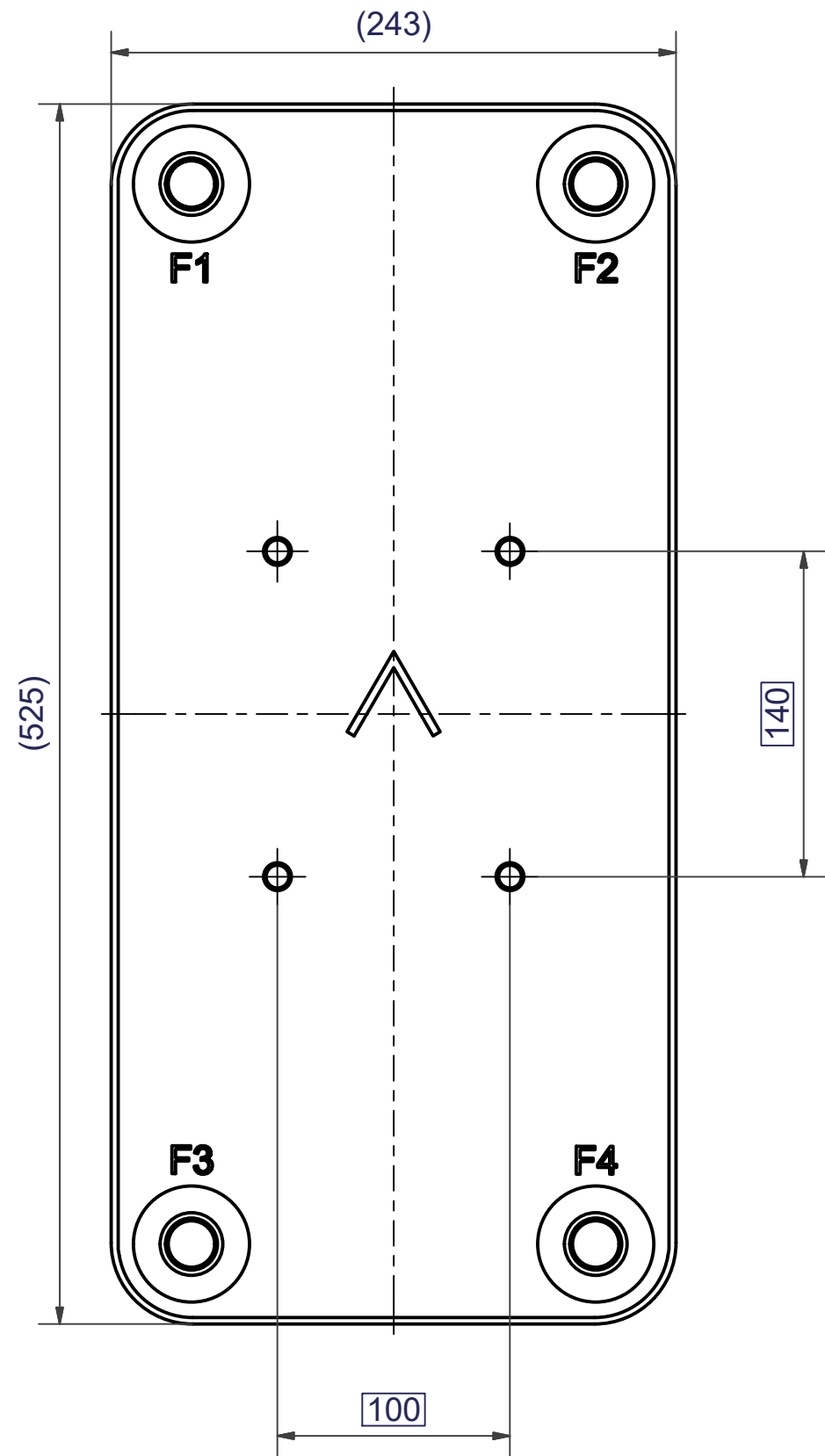
AXINTRA
ÉCHANGEURS THERMIQUES


NOTE 1 ALTERNATE MARKING: STICKER OR STAMP

F4	32836	ISO-G 1 1/2" & SOLDER 35,1, TH =	CD000860
F3	45475	SOLDER 22U, TH = 27,1	CD000017
F2	32836	ISO-G 1 1/2" & SOLDER 35,1, TH =	CD000860
F1	45083	SOLDER 42U, TH = 27,1	CD000100
F	21118	B120T/50 BOLT LOC F 4x C140x100	CG450024

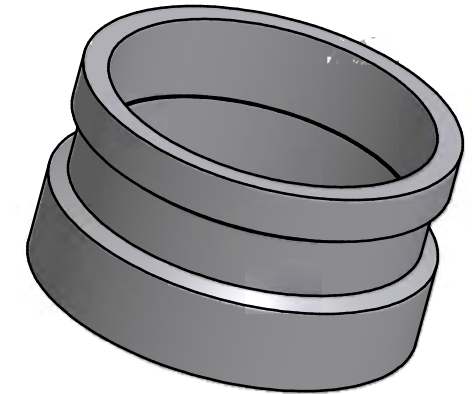
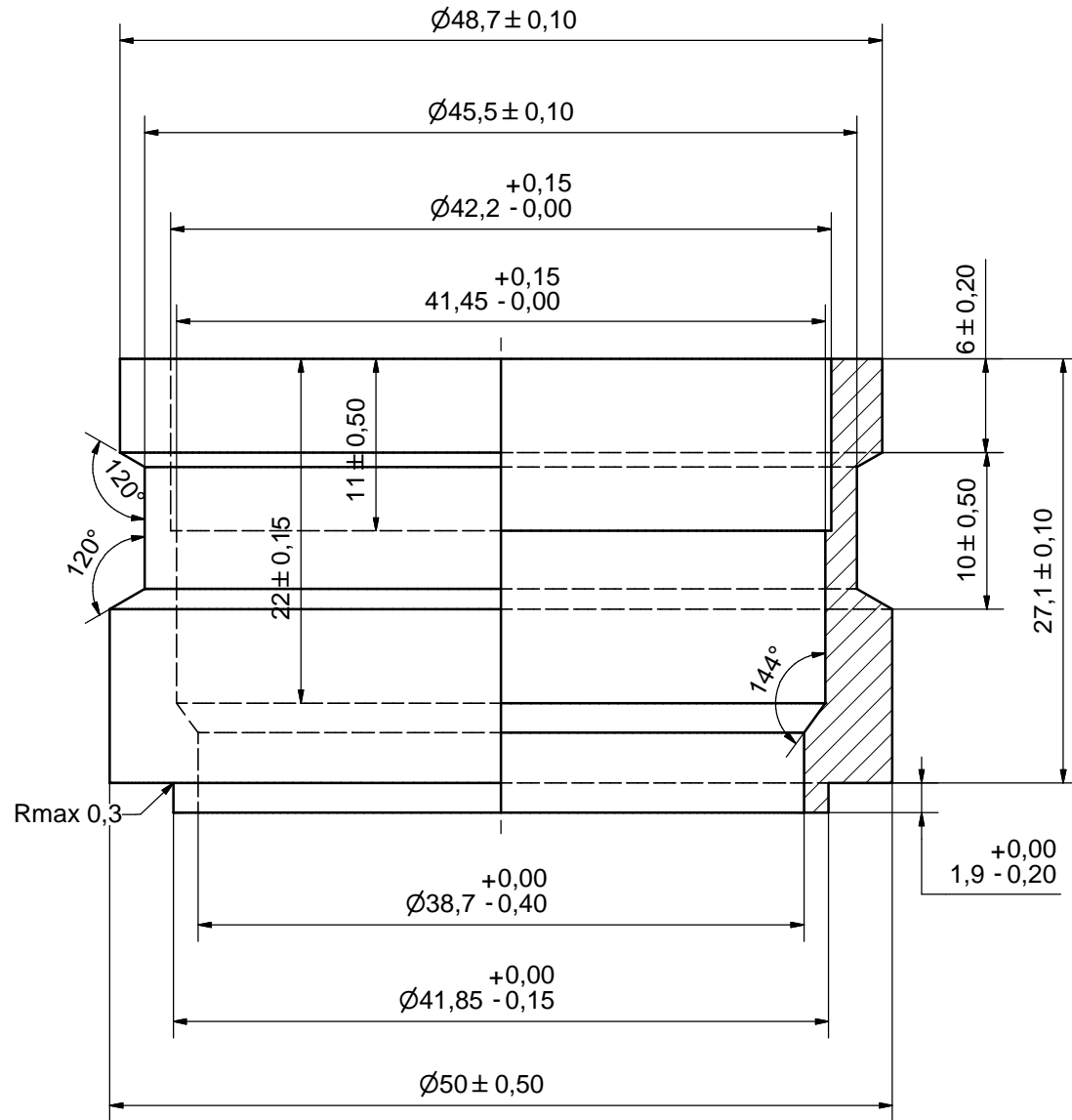
Pos	Article No	Title / Denomination, code, material, dimension etc	Drawing No./ref	Pos	Article No	Title / Denomination, code, material, dimension etc	Drawing No./ref
-----	------------	-----------------------------------------------------	-----------------	-----	------------	-----------------------------------------------------	-----------------

Title		V120TH/1P-SC-M	
 A DOVER COMPANY		Created Date	2018-06-25
		Created By	AU
Article/Configuration number		14172-080	
Drawing number		AU00390825	



1	4	STUD BOLT M12x20 ART. NO. 45095	M12x20
IT	QTY	DESCRIPTION	Drawing No./Ref
lathe	PDM	PDM	2004-10-12
		General geometrical tolerancing ISO 2768: m	General surface finish R _a : 3.2
			1:1
		B120T/50 BOLT LOC F 4x C140x100	
Article number 21118		Drawing number CG450024	
		Revision 00	
		Sheet 1 (1)	

Rev No.	Alteration	Date	Checked	Approved
12	DEBURRING INFO ADDED	2009/03/10	TL	PDM



SHARP EDGES DEBURRED MAX 0,4

ACCORDING TO MQS
MATERIAL

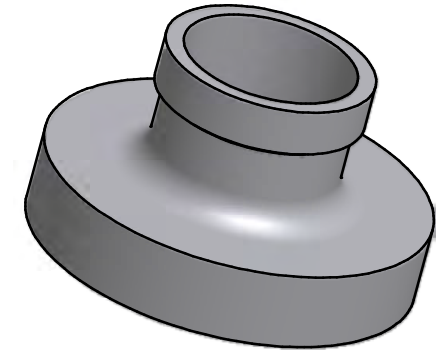
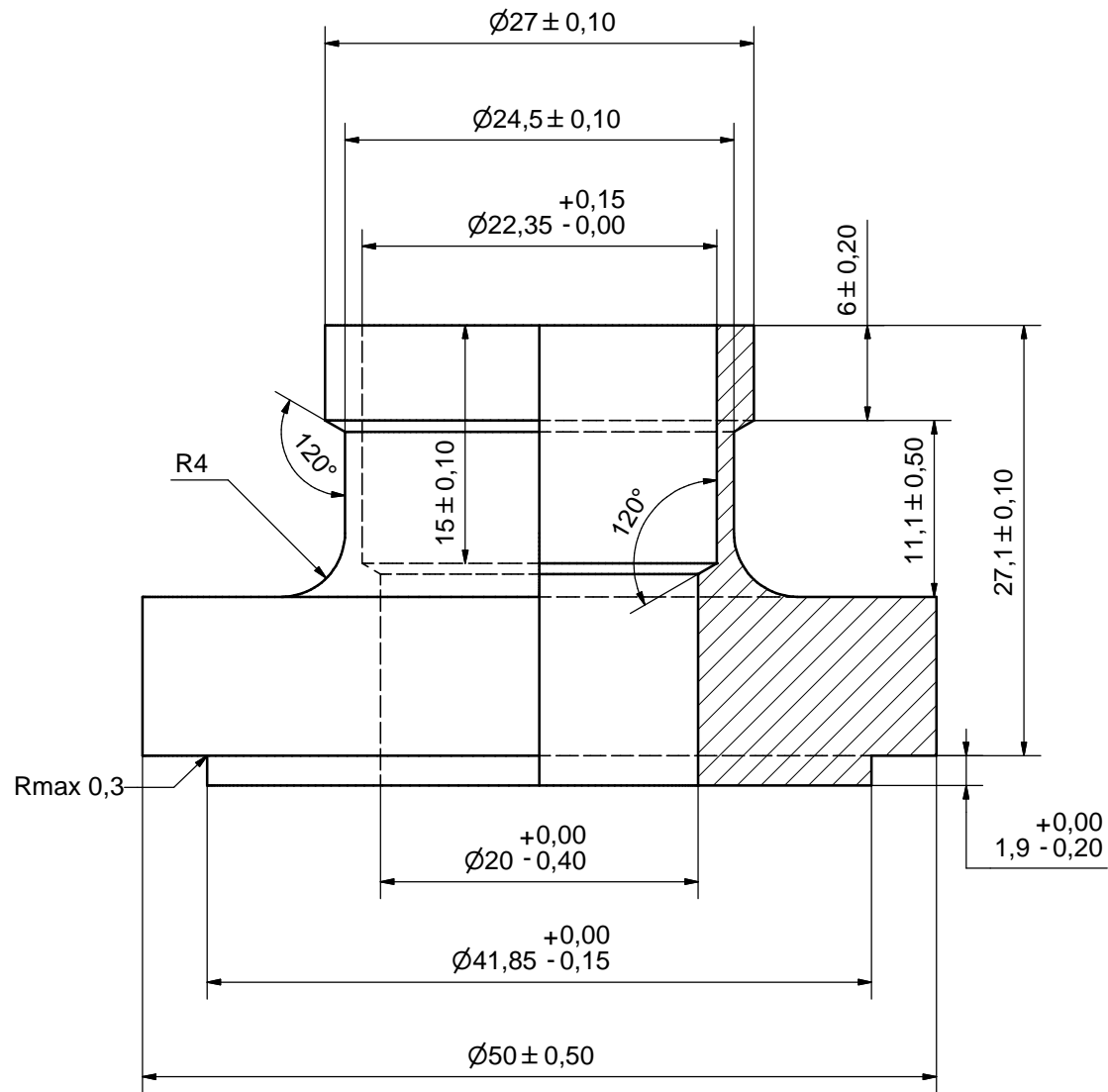
Drawn	Checked	Approved	Created Date	General geometrical tolerancing ISO 2768	General surface finish R_a	Scale
SA	TP	VP	1990-09-08	m	3.2	-
Title				SOLDER 42U		
Article number		Drawing number		Revision	Sheet	
-		CD000100		12	1 (1)	

© Company Confidential, Property of SWEP International AB

AXINTRA
ÉCHANGEURS THERMIQUES

SWEP
A DOVER COMPANY

Rev No.	Alteration	Date	Checked	Approved
9	DEBURRING INFO ADDED	2009/03/10	TL	PDM

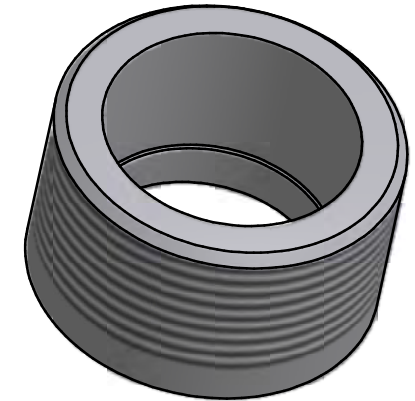
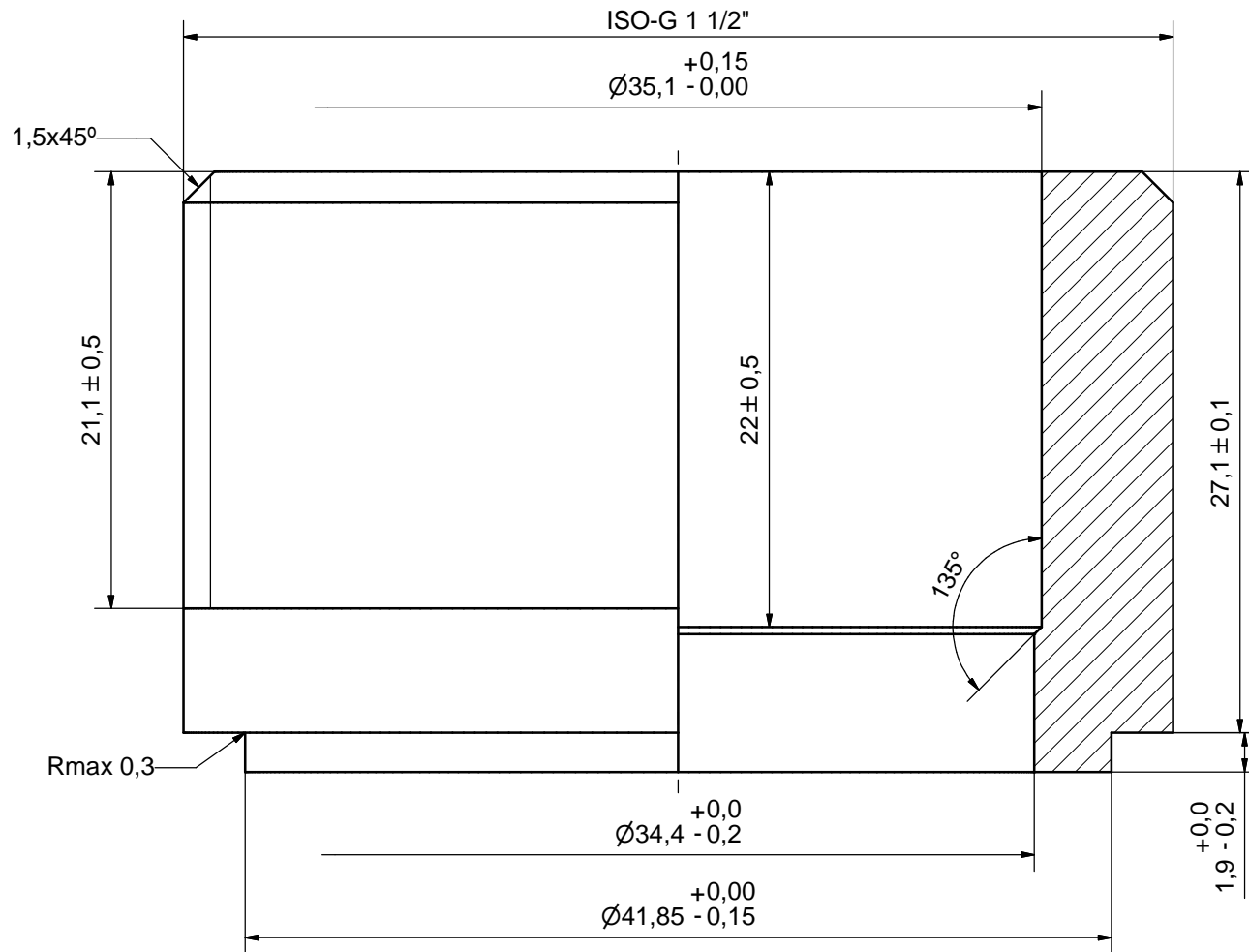


SHARP EDGES DEBURRED MAX 0,4

ACCORDING TO MQS
MATERIAL

Drawn TM	Checked BOS	Approved BOS	Created Date 1993-05-28	General geometrical tolerancing ISO 2768 m	General surface finish R_a 3.2	Scale -
Title SOLDER 22U			Article number -	Drawing number CD000017	Revision 9	Sheet 1 (1)

Rev No.	Alteration	Date	Checked	Approved
1	DEBURRING INFO ADDED	2009/03/11	TL	PDM



SHARP EDGES DEBURRED MAX 0,4

ACCORDING TO MQS
MATERIAL

Drawn ANL	Checked PDM	Approved PDM	Created Date 2007-04-25	General geometrical tolerancing ISO 2768 m	General surface finish R_a 3.2		Scale -
			Title ISO-G 1 1/2" & SOLDER 35,1				
Article number -		Drawing number CD000860		Revision 1		Sheet 1 (1)	