

B10T

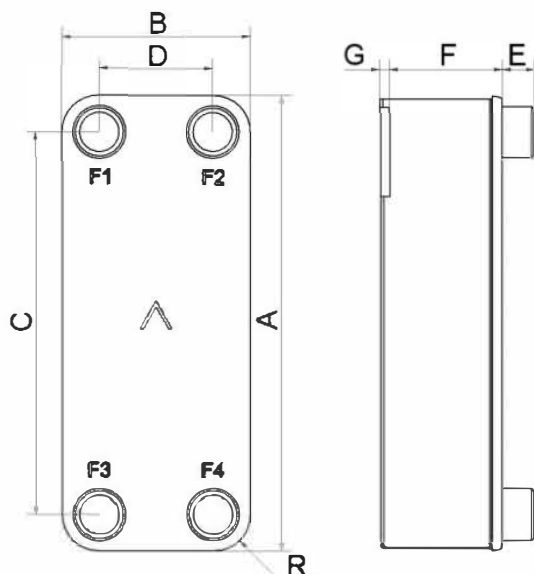
Le B10T offre des solutions d'échange thermique dans un large éventail de capacités. Son adaptation à de nombreuses applications est rapide et simple. Par sa compacité, sa polyvalence, son excellent transfert thermique, ce produit est le choix idéal pour des applications monophasiques et de réfrigération.



Spécifications de base

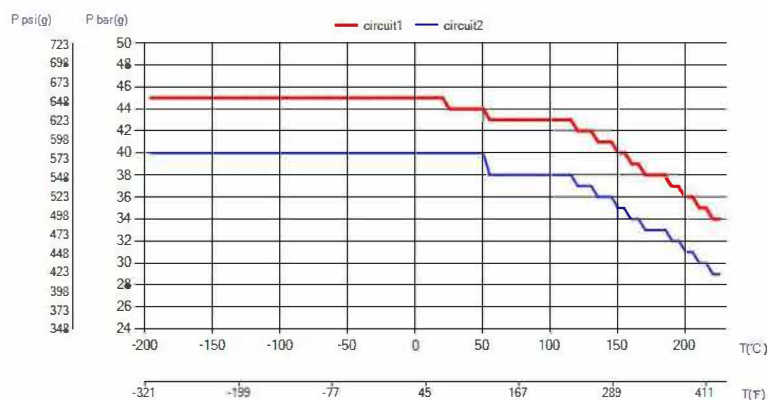
Nombre de plaques max. (NoP)	140
Débit volumétrique max.	9 m ³ /h (39.63 gpm)
Volume du canal	0.061/0.061 dm ³ (0.0022/0.0022 ft ³)
Matières	Plaques en acier inoxydable 316, brasage cuivre
Poids sans les connexions	1.15+(0.096*NoP) kg 2.54+(0.212*NoP) lb

Les dimensions standard



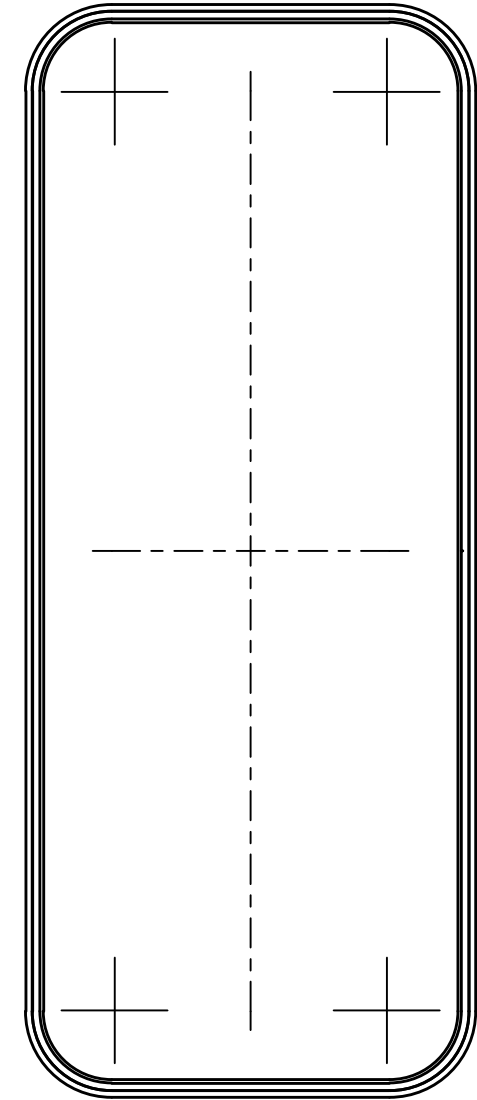
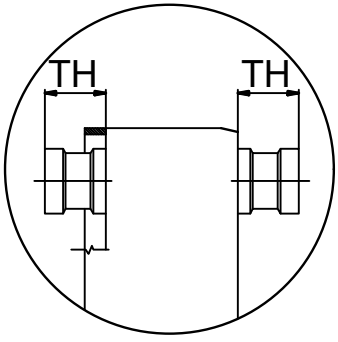
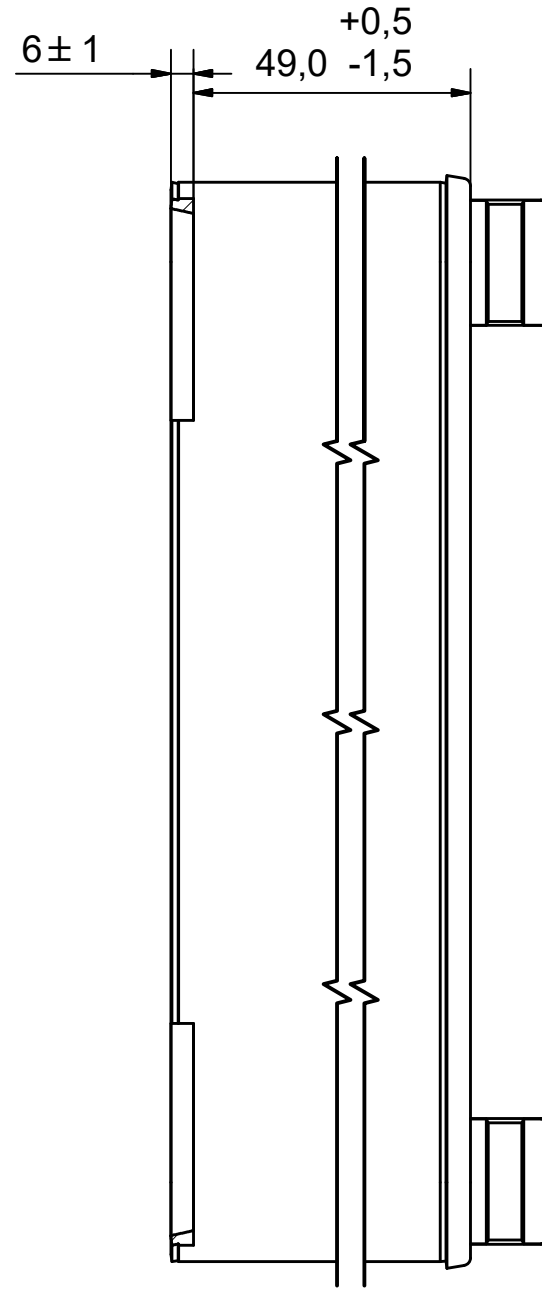
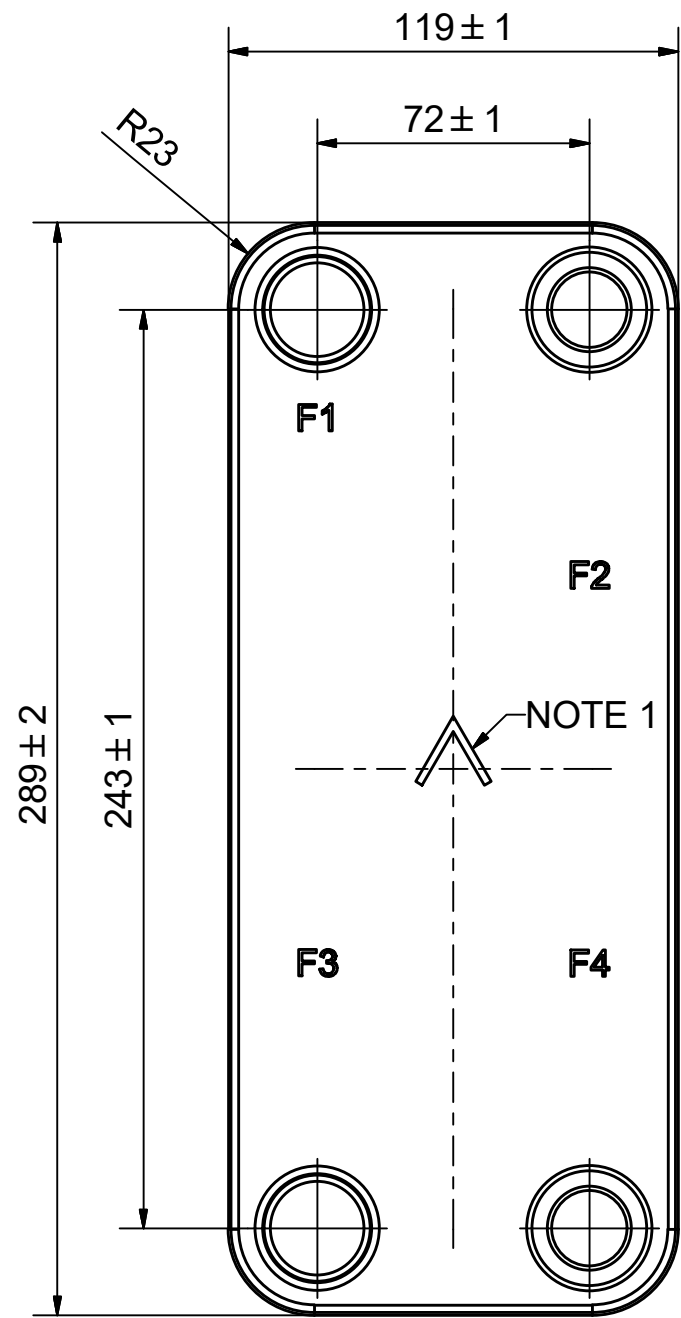
#	MM	IN
A	289	11.38
B	119	4.69
C	243	9.57
D	72	2.83
F	4.00+2.24*(NoP)	0.16+0.09*(NoP)
G	6	0.24
R	22	0.87
E_1	20	0.79

PED pression / température



AXINTRA

ÉCHANGEURS THERMIQUES



AXINTRA

ÉCHANGEURS THERMIQUES

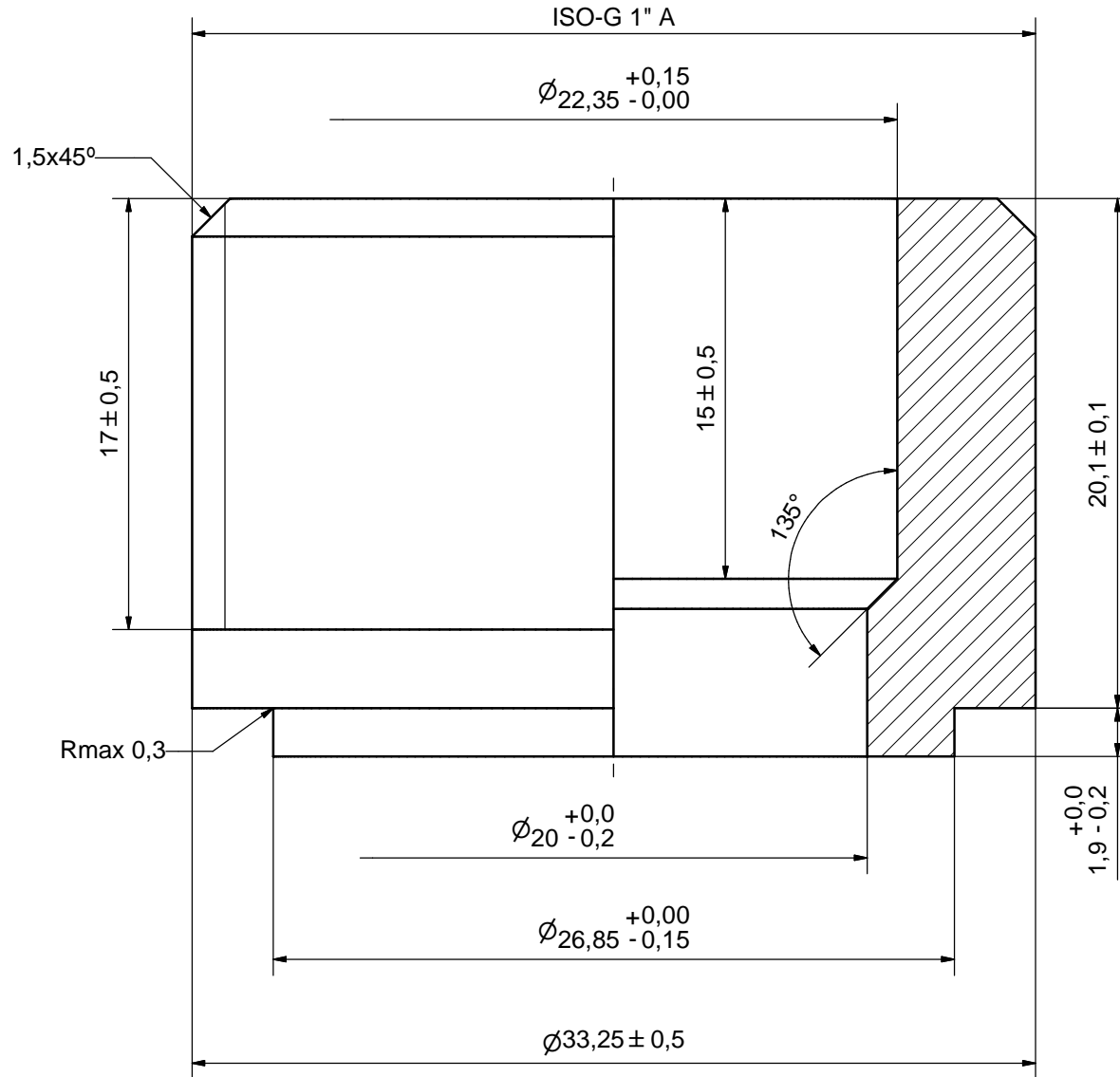
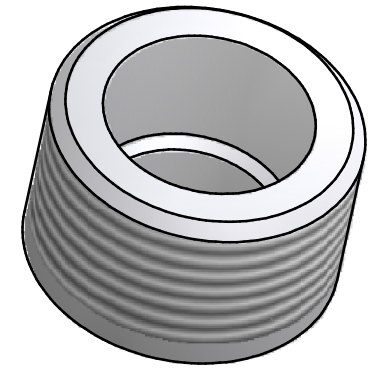
F4	32566	ISO-G 1" A & SOLDER 22U, TH = 20,1	CD000806
F3	45082	SOLDER 28U, TH = 20,1	CD000032
F2	32566	ISO-G 1" A & SOLDER 22U, TH = 20,1	CD000806
F1	45082	SOLDER 28U, TH = 20,1	CD000032

Pos	Article No	Title / Denomination, code, material, dimension etc	Drawing No./ref	Pos	Article No	Title / Denomination, code, material, dimension etc	Drawing No./ref
-----	------------	---	-----------------	-----	------------	---	-----------------

NOTE 1 ALTERNATE MARKING: STICKER OR STAMP

Title		B10TH/1P-SC-M	
Created Date		2019-01-21	Created By
Article/Configuration number		15370-020	Drawing number
A DOVER COMPANY		AU	AU00452893

Rev No.	Alteration	Date	Checked	Approved
1	CHANGED DENOMIATION	2007/05/28	ANL	PDM



ACCORDING TO MQS
MATERIAL

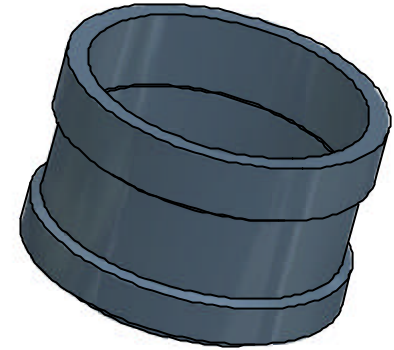
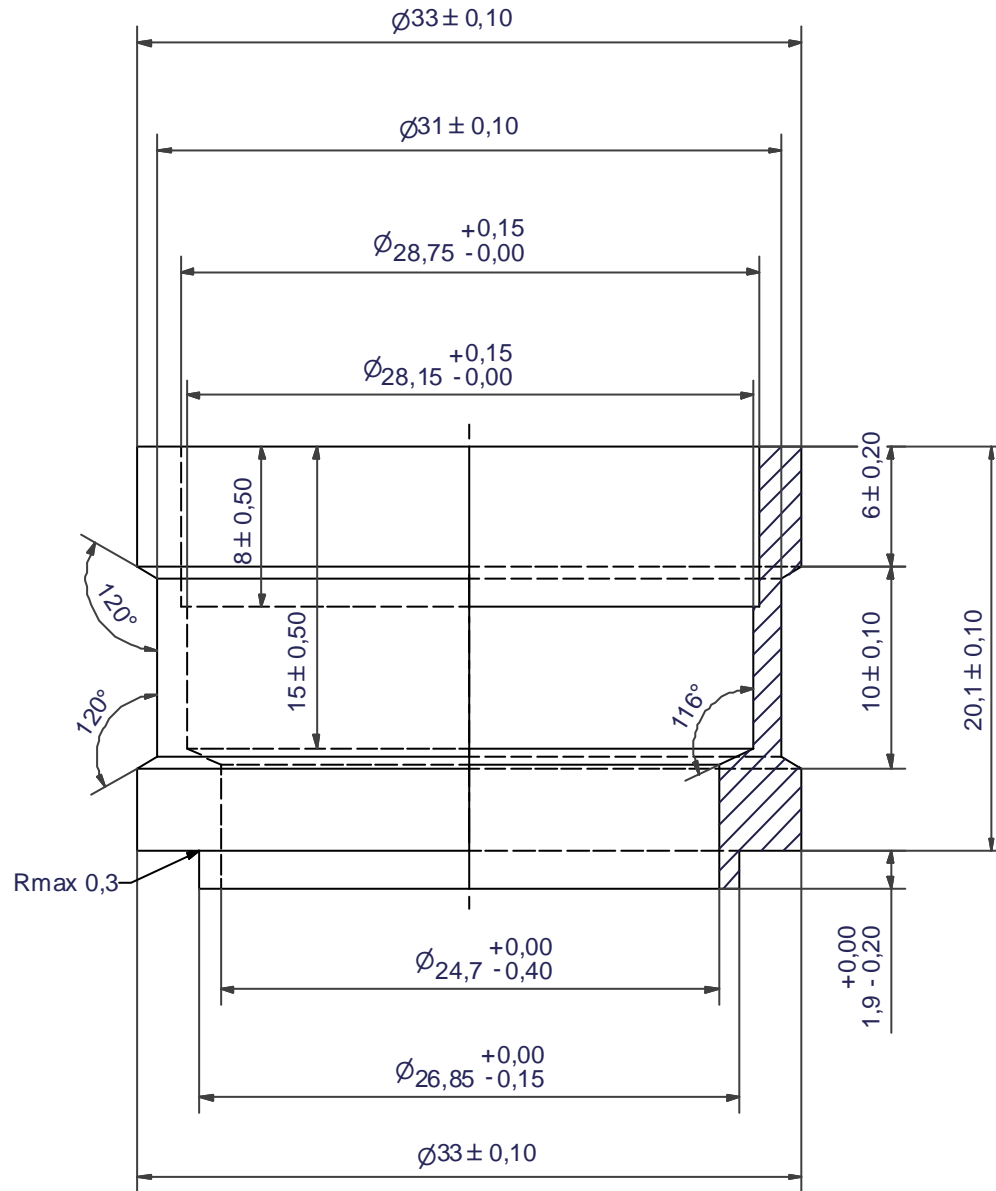
Drawn THE	Checked PDM	Approved PDM	Created Date 2006/05/09	General geometrical tolerancing ISO 2768 m	General surface finish R_a 3.2	Scale 5:1
Title ISO-G 1" A & SOLDER 22U			Article number -	Drawing number CD000806	Revision 1	Sheet 1 (1)

© Company Confidential, Property of SWEP International AB

AXINTRA
ÉCHANGEURS THERMIQUES

SWEP
A DOVER COMPANY

Rev No.	Alteration	Date	Checked	Approved
8	REDRAWN IN INVENTOR	2004/07/07	TN	PDM



© Company Confidential, Property of SWEF International AB

AXINTRA
ÉCHANGEURS THERMIQUES

Drawn SA	Checked TP	Approved VP	Created Date 1990/09/08	General geometrical tolerancing ISO 2768 m	General surface finish R _a 3.2		Scale 4:1
 A DOVER COMPANY			Title SOLDER 28U				
			Article number -	Drawing number CD000032	Revision 8	Sheet 1 (1)	