

B10T

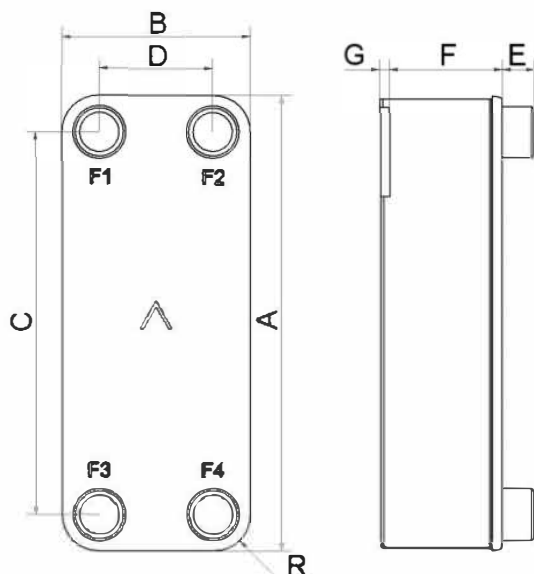
Le B10T offre des solutions d'échange thermique dans un large éventail de capacités. Son adaptation à de nombreuses applications est rapide et simple. Par sa compacité, sa polyvalence, son excellent transfert thermique, ce produit est le choix idéal pour des applications monophasiques et de réfrigération.



Spécifications de base

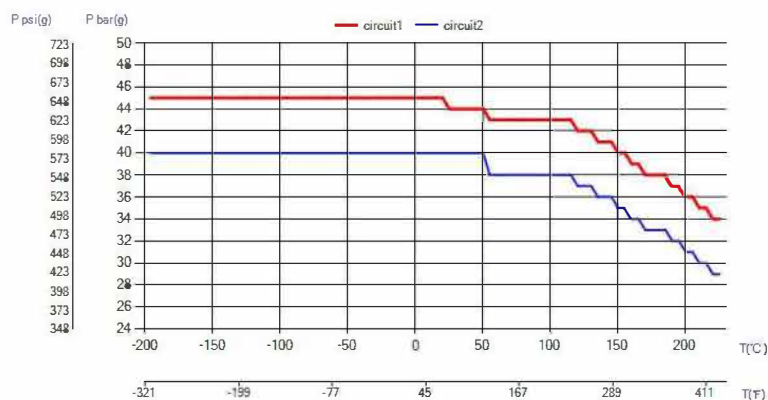
Nombre de plaques max. (NoP)	140
Débit volumétrique max.	9 m ³ /h (39.63 gpm)
Volume du canal	0.061/0.061 dm ³ (0.0022/0.0022 ft ³)
Matières	Plaques en acier inoxydable 316, brasage cuivre
Poids sans les connexions	1.15+(0.096*NoP) kg 2.54+(0.212*NoP) lb

Les dimensions standard



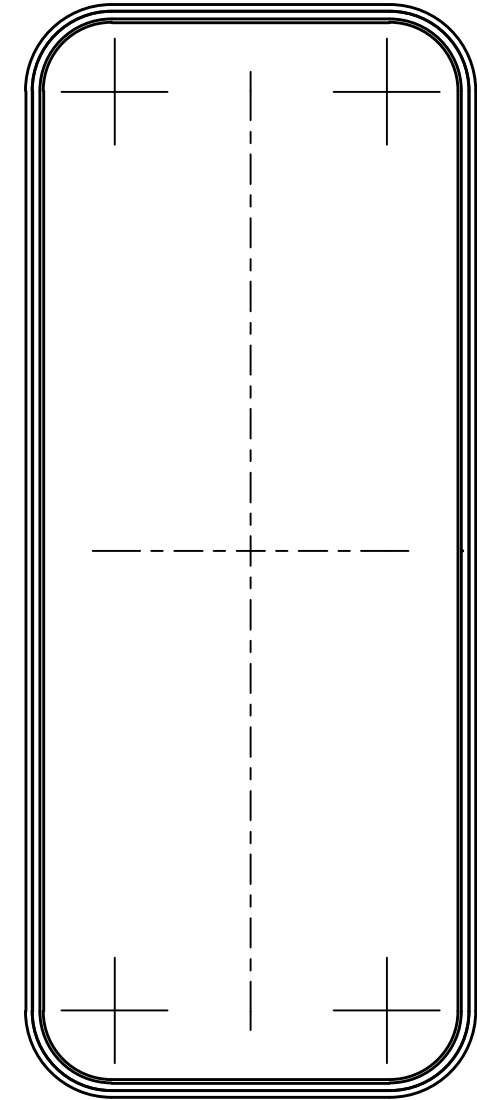
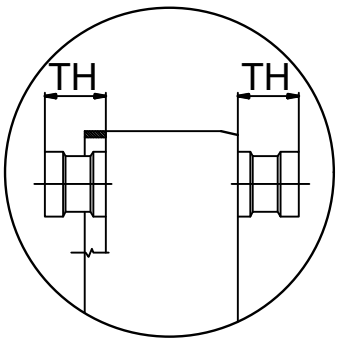
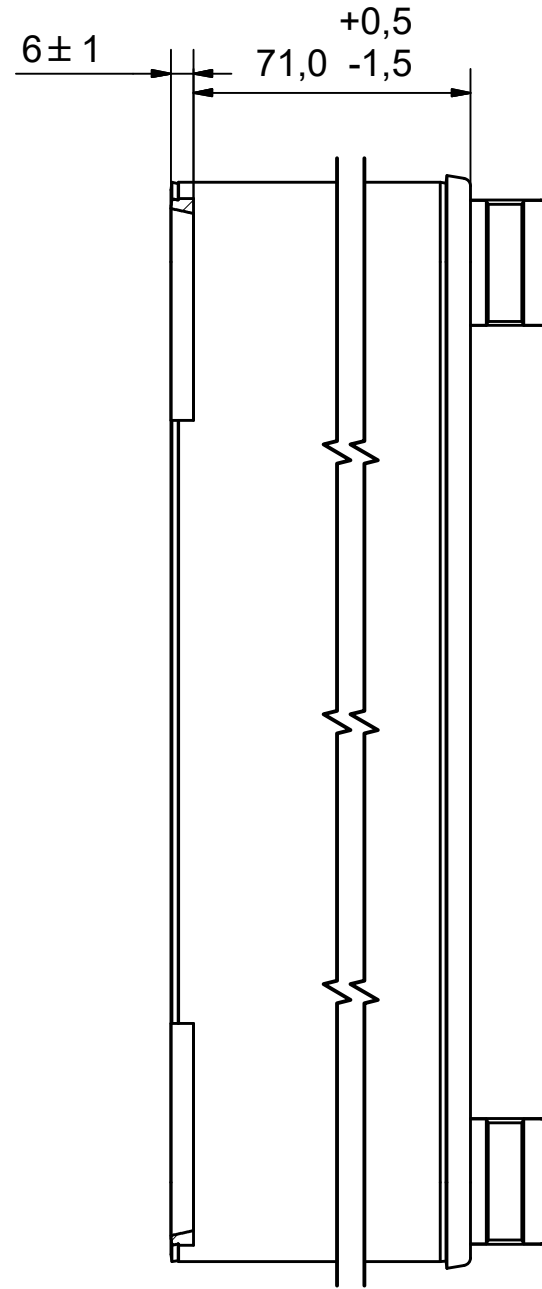
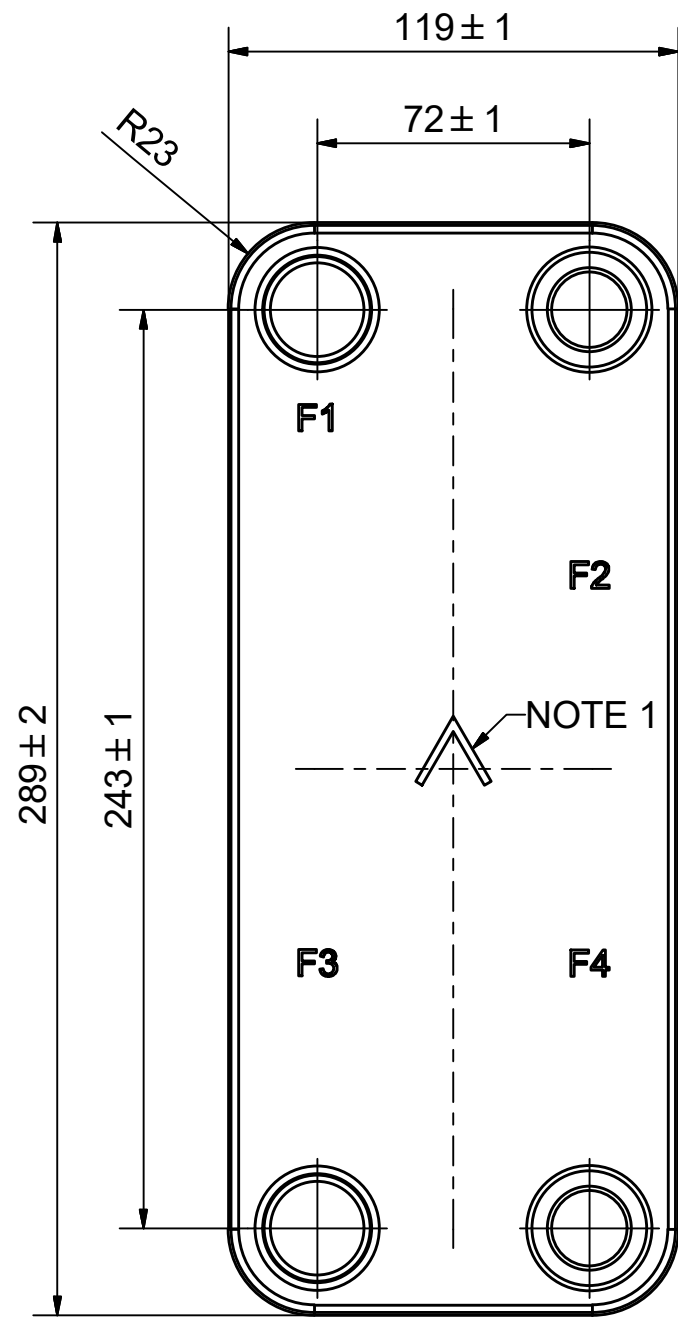
#	MM	IN
A	289	11.38
B	119	4.69
C	243	9.57
D	72	2.83
F	4.00+2.24*(NoP)	0.16+0.09*(NoP)
G	6	0.24
R	22	0.87
E_1	20	0.79

PED pression / température



AXINTRA

ÉCHANGEURS THERMIQUES




NOTE 1 ALTERNATE MARKING: STICKER OR STAMP

AXINTRA

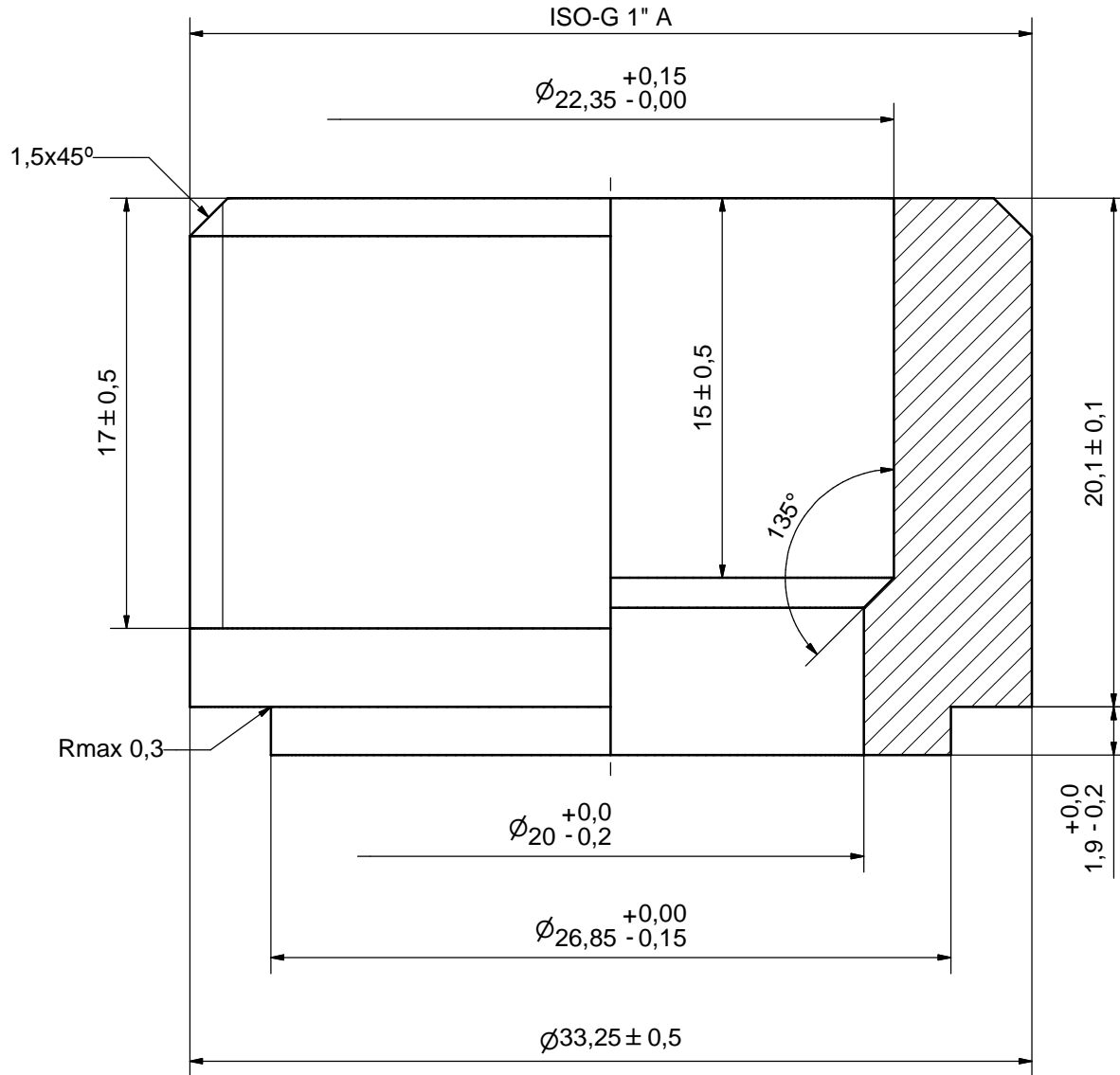
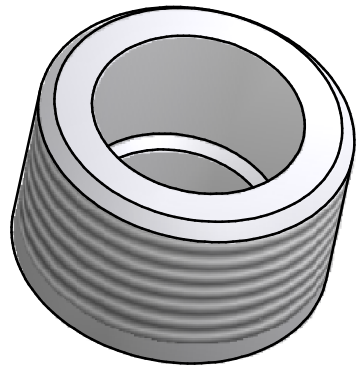
ÉCHANGEURS THERMIQUES

F4	32566	ISO-G 1" A & SOLDER 22U, TH = 20,1	CD000806
F3	45082	SOLDER 28U, TH = 20,1	CD000032
F2	32566	ISO-G 1" A & SOLDER 22U, TH = 20,1	CD000806
F1	45082	SOLDER 28U, TH = 20,1	CD000032

Pos	Article No	Title / Denomination, code, material, dimension etc	Drawing No./ref	Pos	Article No	Title / Denomination, code, material, dimension etc	Drawing No./ref
-----	------------	---	-----------------	-----	------------	---	-----------------

Title		B10TH/1P-SC-M	
 A DOVER COMPANY		Created Date	2017-10-02
		Created By	AU
Article/Configuration number		15370-030	
Drawing number		AU00307352	

Rev No.	Alteration	Date	Checked	Approved
1	CHANGED DENOMIATION	2007/05/28	ANL	PDM



ACCORDING TO MQS
MATERIAL

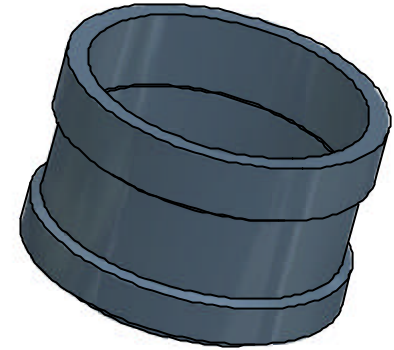
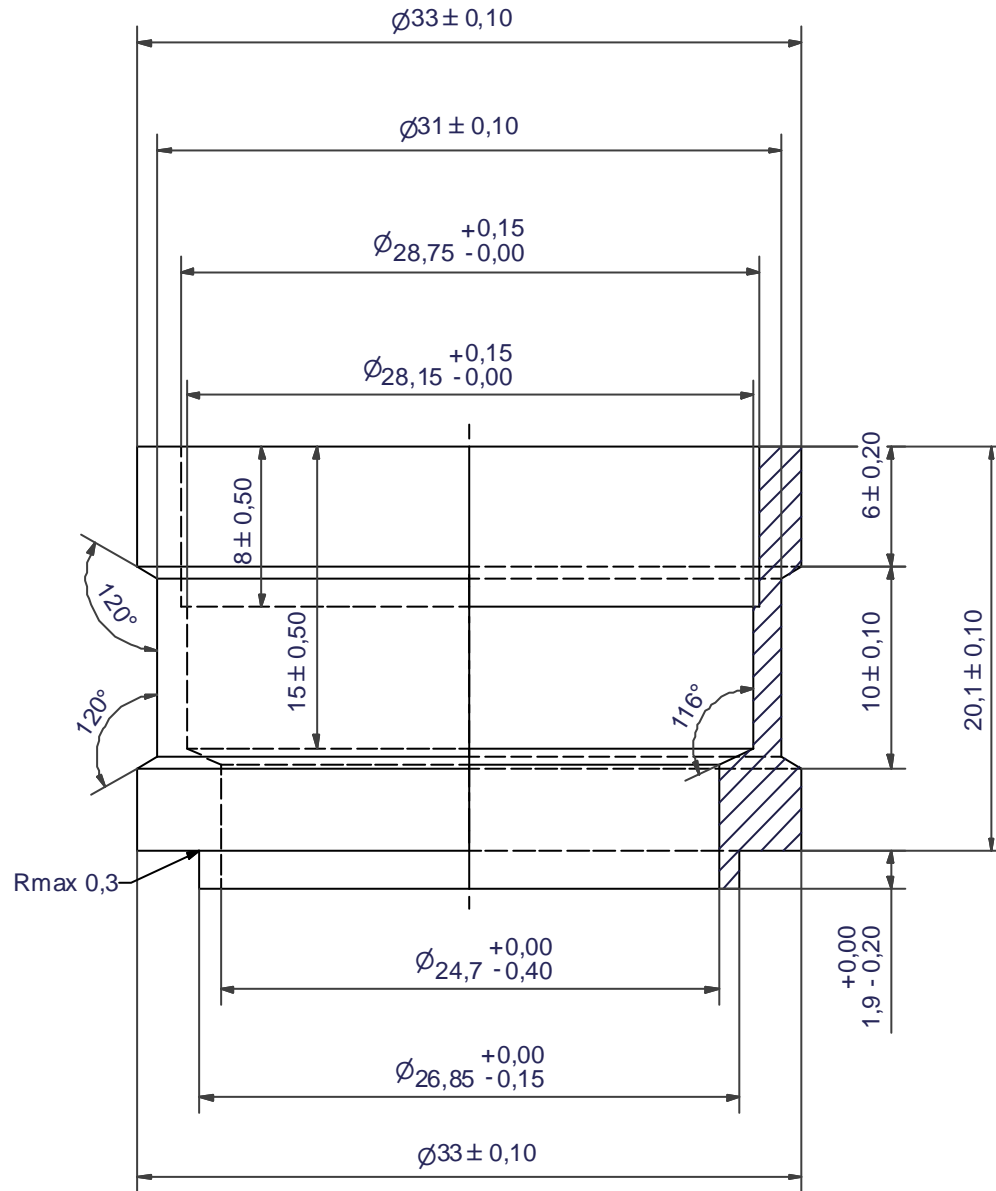
Drawn	Checked	Approved	Created Date	General geometrical tolerancing ISO 2768	General surface finish R_a	Scale
THE	PDM	PDM	2006/05/09	m	3.2	5:1
Title			ISO-G 1" A & SOLDER 22U			
Article number		Drawing number		Revision	Sheet	
-		CD000806		1	1 (1)	

© Company Confidential, Property of SWEP International AB

AXINTRA
ÉCHANGEURS THERMIQUES

SWEP
A DOVER COMPANY

Rev No.	Alteration	Date	Checked	Approved
8	REDRAWN IN INVENTOR	2004/07/07	TN	PDM



© Company Confidential, Property of SWEF International AB

AXINTRA
ÉCHANGEURS THERMIQUES

Drawn SA	Checked TP	Approved VP	Created Date 1990/09/08	General geometrical tolerancing ISO 2768 m	General surface finish R _a 3.2		Scale 4:1
 A DOVER COMPANY			Title SOLDER 28U				
			Article number -	Drawing number CD000032	Revision 8	Sheet 1 (1)	