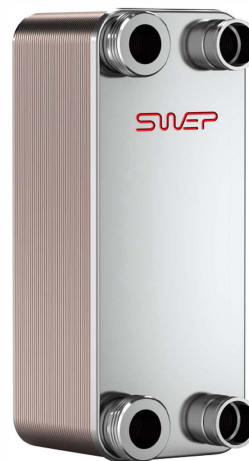


# B10T

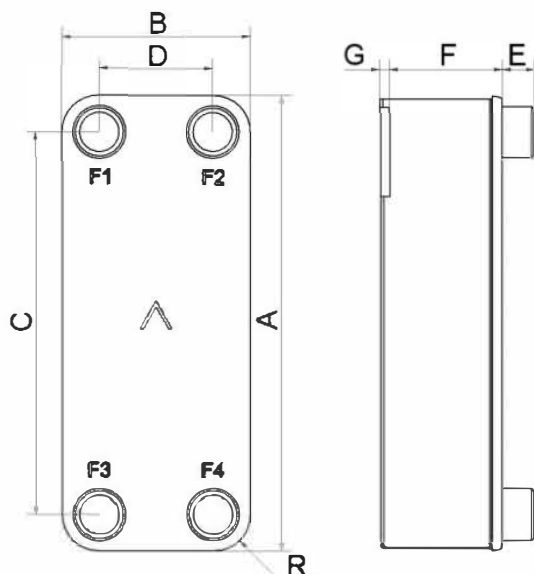
Le B10T offre des solutions d'échange thermique dans un large éventail de capacités. Son adaptation à de nombreuses applications est rapide et simple. Par sa compacité, sa polyvalence, son excellent transfert thermique, ce produit est le choix idéal pour des applications monophasiques et de réfrigération.



## Spécifications de base

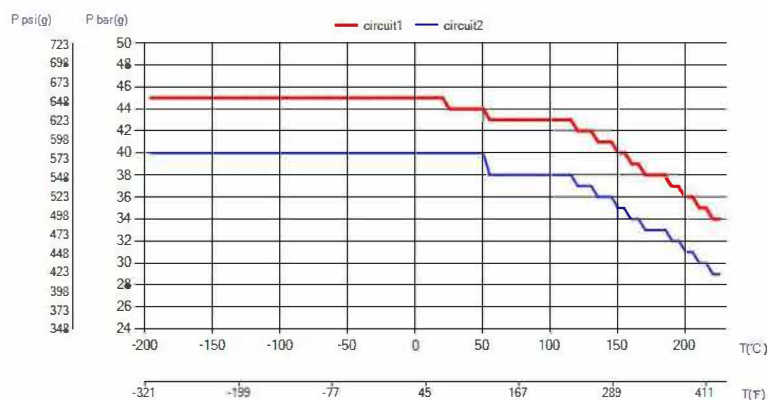
Nombre de plaques max. (NoP)	140
Débit volumétrique max.	9 m <sup>3</sup> /h (39.63 gpm)
Volume du canal	0.061/0.061 dm <sup>3</sup> (0.0022/0.0022 ft <sup>3</sup> )
Matières	Plaques en acier inoxydable 316, brasage cuivre
Poids sans les connexions	1.15+(0.096*NoP) kg 2.54+(0.212*NoP) lb

## Les dimensions standard



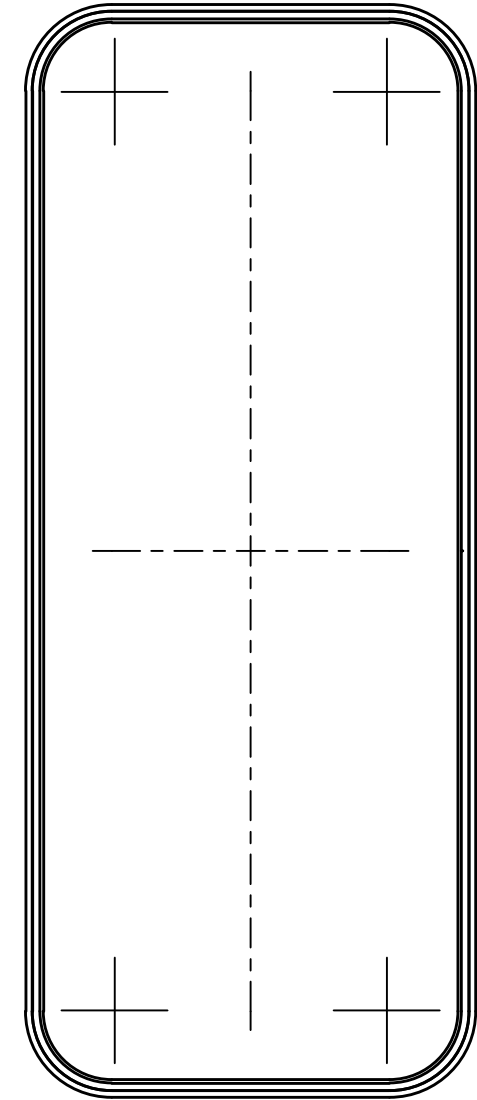
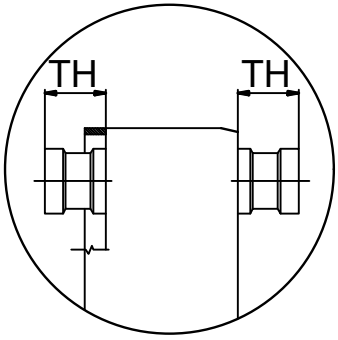
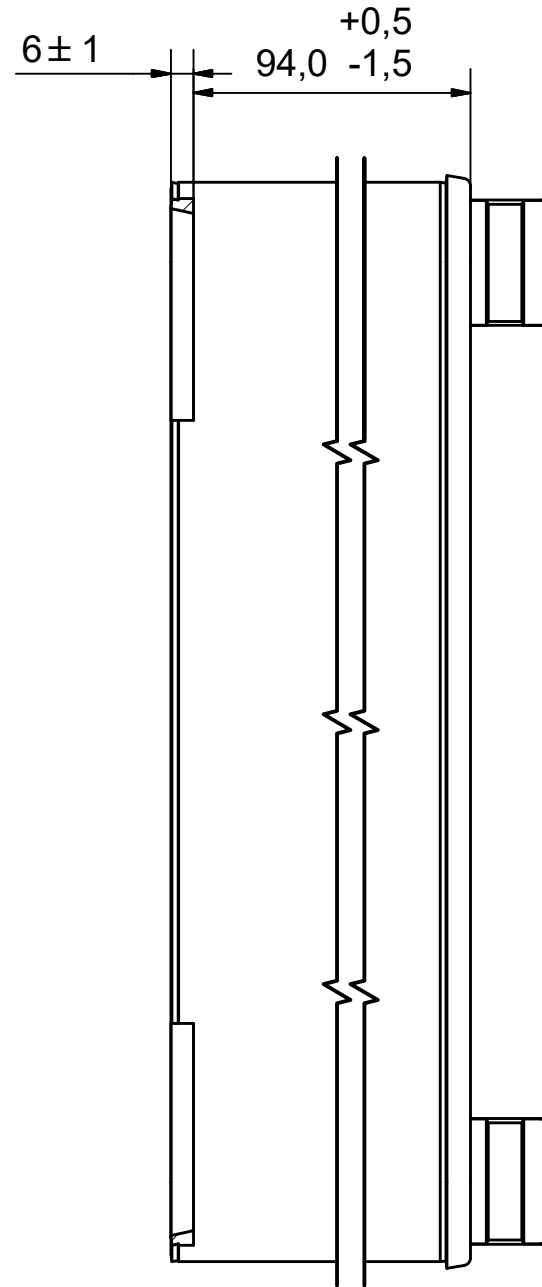
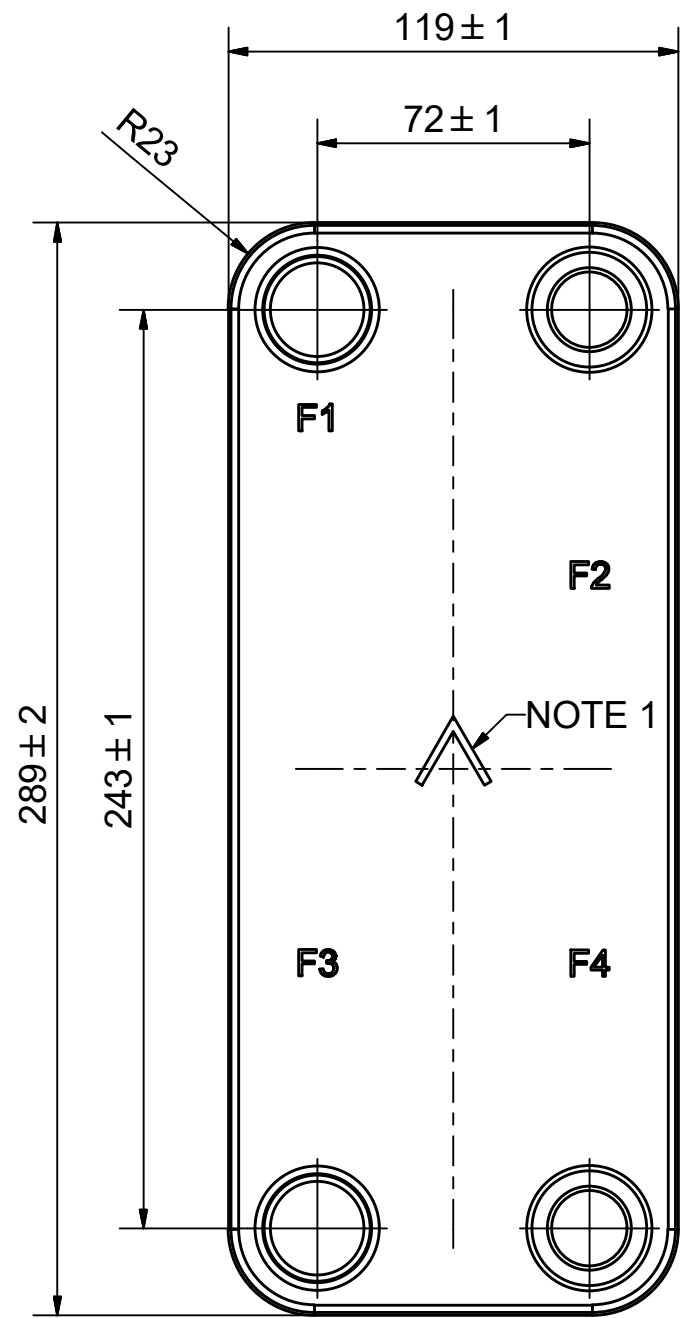
#	MM	IN
A	289	11.38
B	119	4.69
C	243	9.57
D	72	2.83
F	4.00+2.24*(NoP)	0.16+0.09*(NoP)
G	6	0.24
R	22	0.87
E_1	20	0.79

## PED pression / température



# AXINTRA

ÉCHANGEURS THERMIQUES



ÉCHANGEURS THERMIQUES

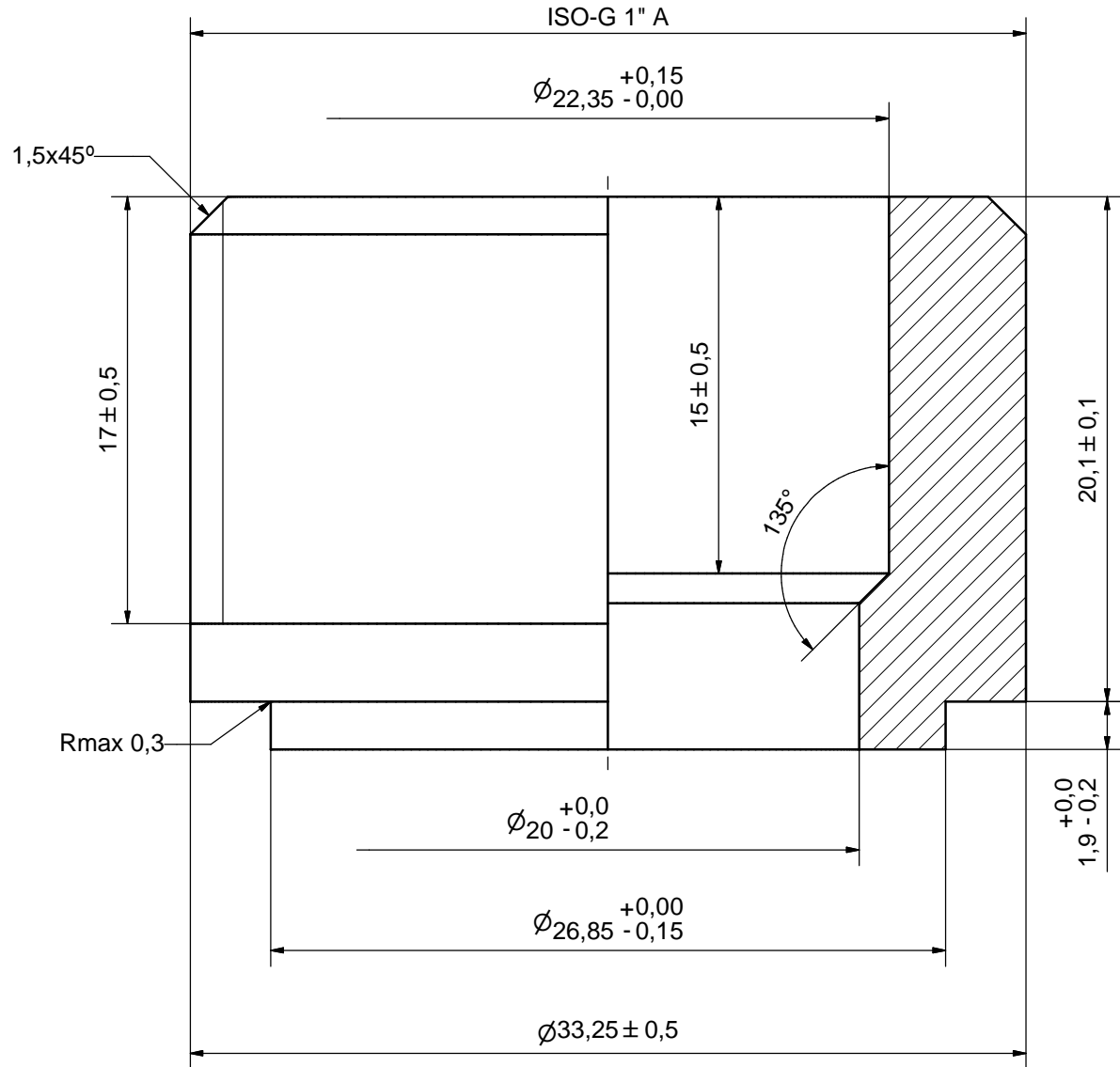
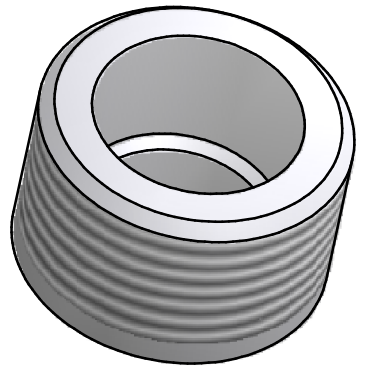
F4	32566	ISO-G 1" A & SOLDER 22U, TH = 20,1	CD000806
F3	45082	SOLDER 28U, TH = 20,1	CD000032
F2	32566	ISO-G 1" A & SOLDER 22U, TH = 20,1	CD000806
F1	45082	SOLDER 28U, TH = 20,1	CD000032

NOTE 1 ALTERNATE MARKING: STICKER OR STAMP

Pos	Article No	Title / Denomination, code, material, dimension etc	Drawing No./ref	Pos	Article No	Title / Denomination, code, material, dimension etc	Drawing No./ref
-----	------------	---	-----------------	-----	------------	---	-----------------

Title		B10TH/1P-SC-M	
Created Date		2019-01-21	Created By
Article/Configuration number		15370-040	Drawing number
A DOVER COMPANY		AU	AU00452894

Rev No.	Alteration	Date	Checked	Approved
1	CHANGED DENOMIATION	2007/05/28	ANL	PDM



ACCORDING TO MQS  
MATERIAL

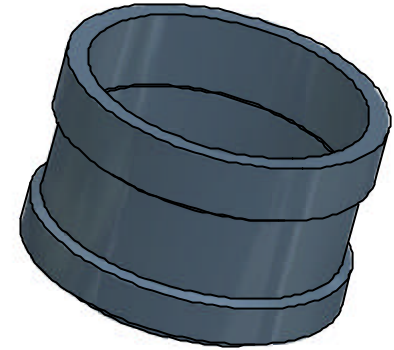
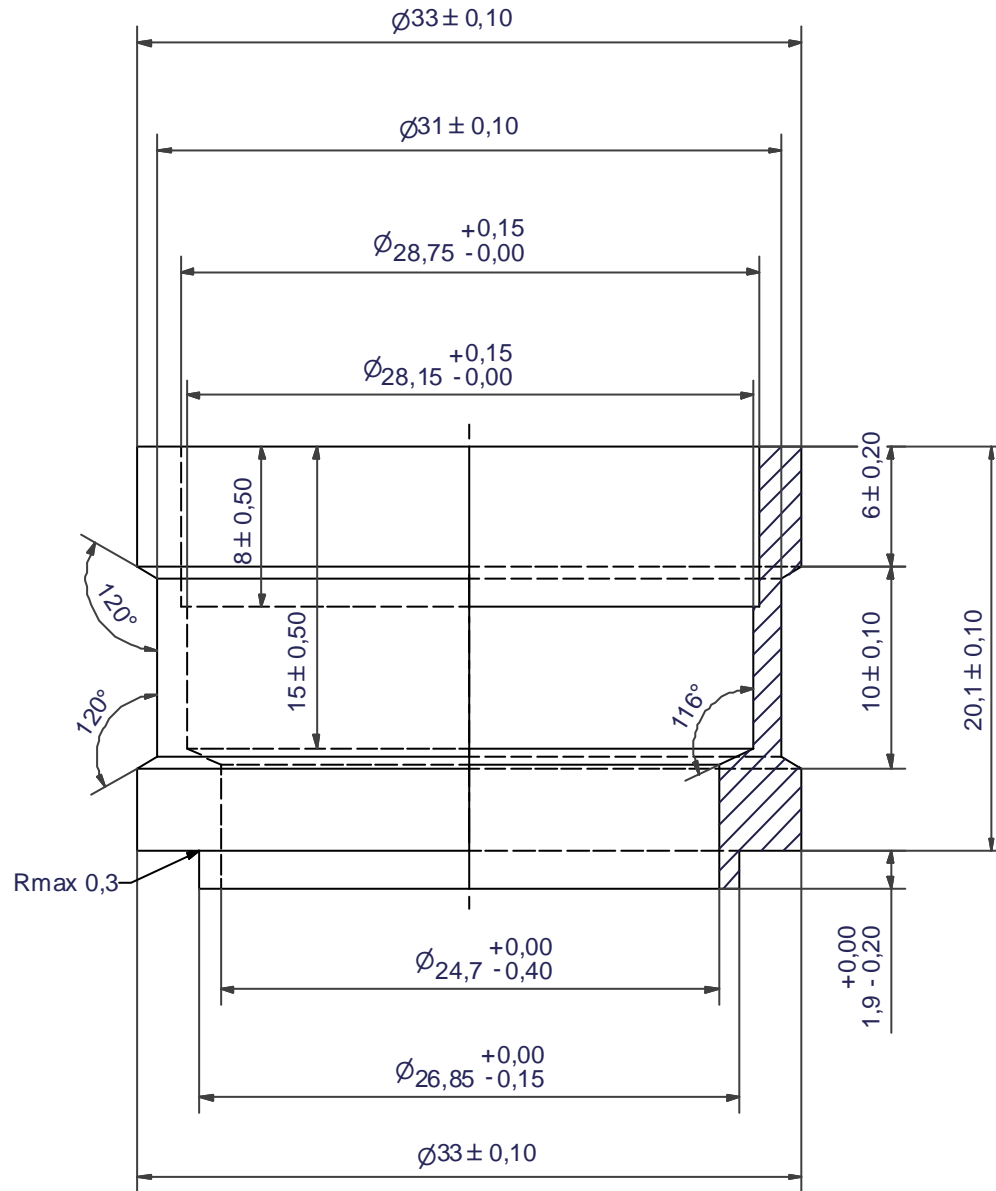
Drawn	Checked	Approved	Created Date	General geometrical tolerancing ISO 2768	General surface finish $R_a$	Scale
THE	PDM	PDM	2006/05/09	m	3.2	5:1
Title				ISO-G 1" A & SOLDER 22U		
Article number		Drawing number		Revision	Sheet	
-		CD000806		1	1 (1)	

© Company Confidential, Property of SWEP International AB

**AXINTRA**  
ÉCHANGEURS THERMIQUES

**SWEP**  
A DOVER COMPANY

Rev No.	Alteration	Date	Checked	Approved
8	REDRAWN IN INVENTOR	2004/07/07	TN	PDM



© Company Confidential, Property of SWEF International AB

**AXINTRA**  
ÉCHANGEURS THERMIQUES

Drawn SA	Checked TP	Approved VP	Created Date 1990/09/08	General geometrical tolerancing ISO 2768 m	General surface finish R <sub>a</sub> 3.2		Scale 4:1
			Title <b>SOLDER 28U</b>				
			Article number -	Drawing number CD000032	Revision 8	Sheet 1 (1)	
A DOVER COMPANY							