

B10T

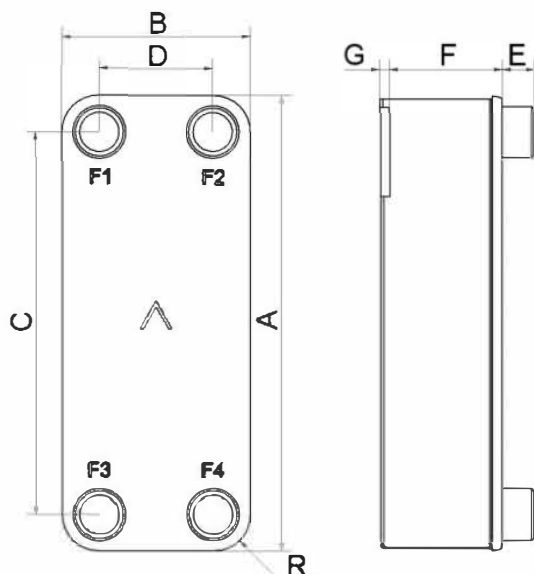
Le B10T offre des solutions d'échange thermique dans un large éventail de capacités. Son adaptation à de nombreuses applications est rapide et simple. Par sa compacité, sa polyvalence, son excellent transfert thermique, ce produit est le choix idéal pour des applications monophasiques et de réfrigération.



Spécifications de base

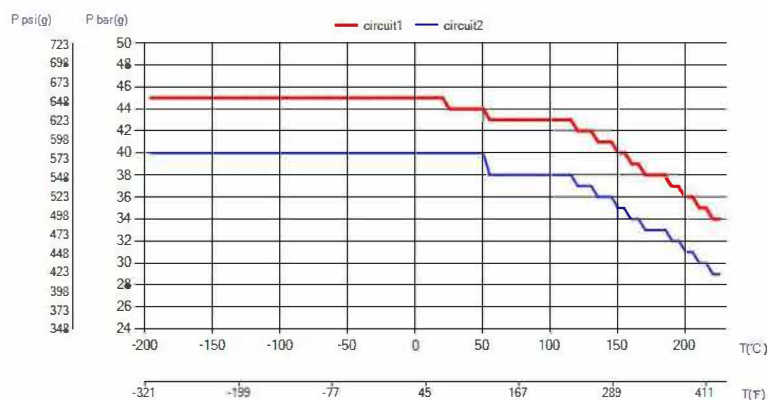
| | |
|------------------------------|--------------------------------------------------------------|
| Nombre de plaques max. (NoP) | 140 |
| Débit volumétrique max. | 9 m ³ /h (39.63 gpm) |
| Volume du canal | 0.061/0.061 dm ³ (0.0022/0.0022 ft ³) |
| Matières | Plaques en acier inoxydable 316, brasage cuivre |
| Poids sans les connexions | 1.15+(0.096*NoP) kg 2.54+(0.212*NoP) lb |

Les dimensions standard



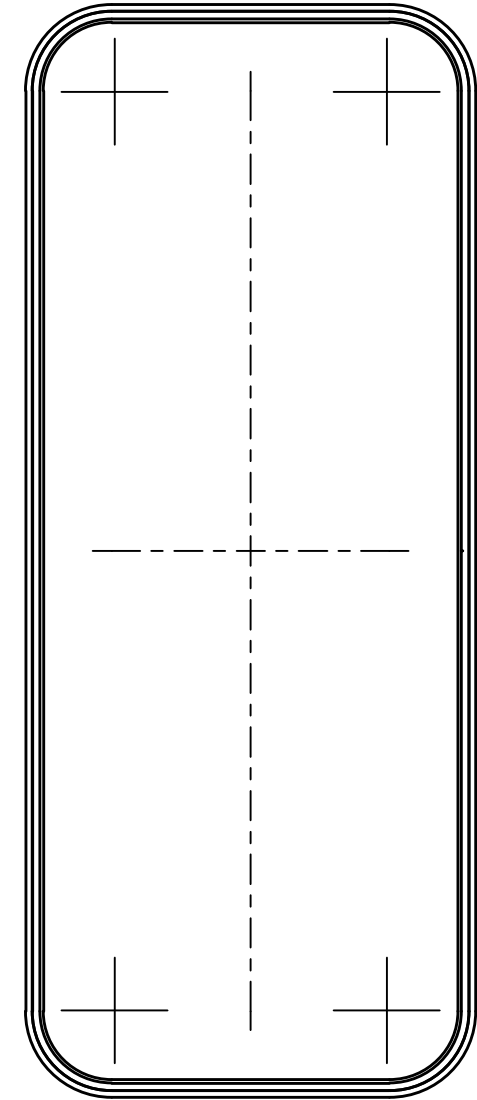
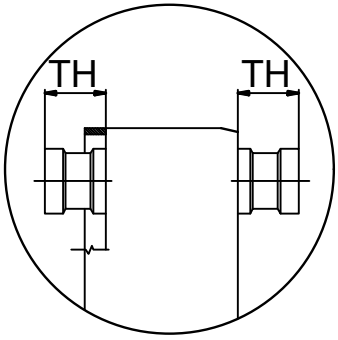
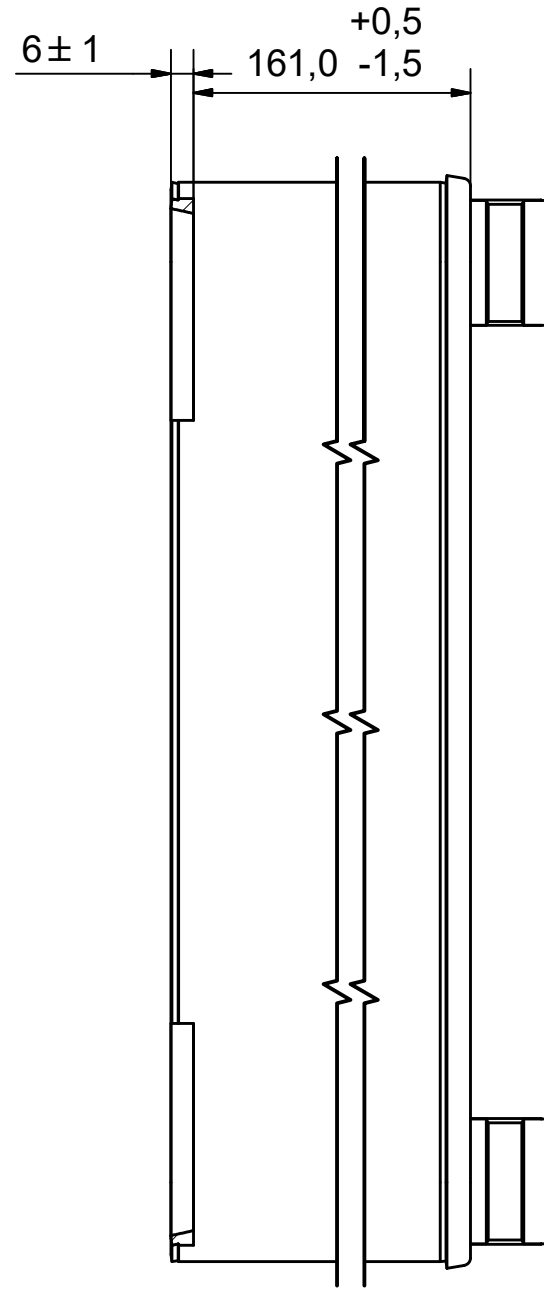
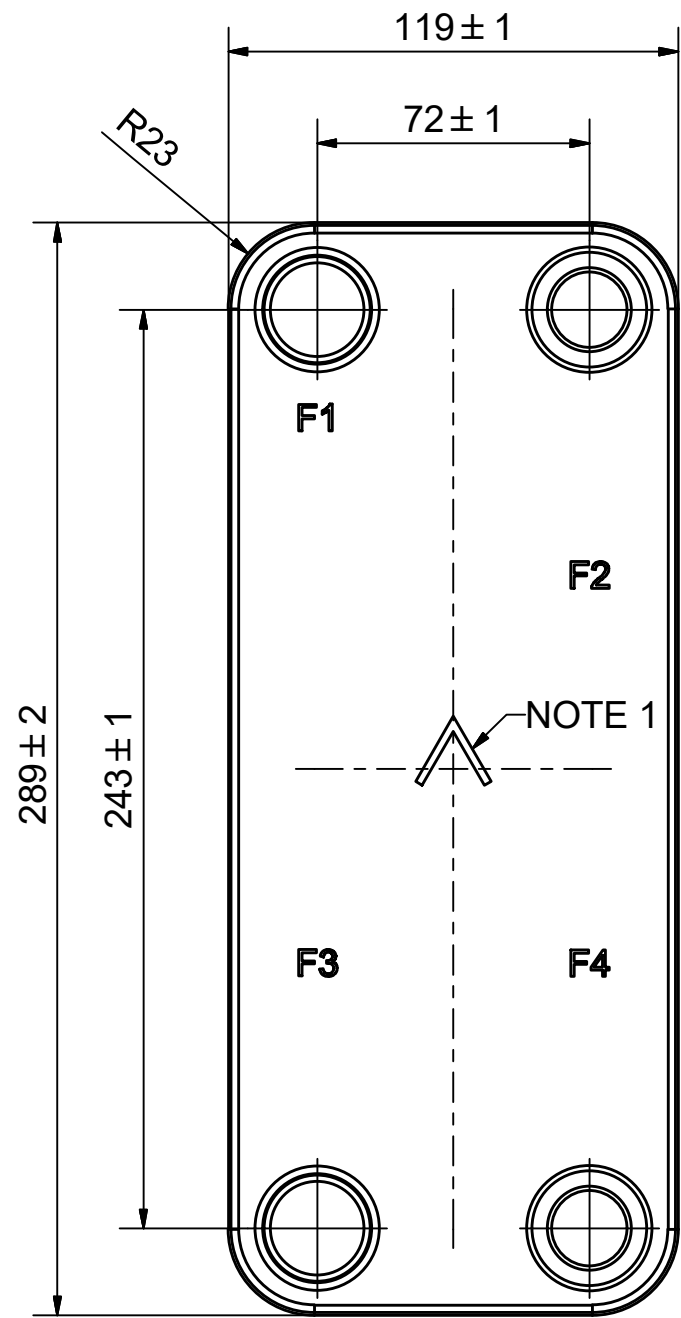
| # | MM | IN |
|-----|-----------------|-----------------|
| A | 289 | 11.38 |
| B | 119 | 4.69 |
| C | 243 | 9.57 |
| D | 72 | 2.83 |
| F | 4.00+2.24*(NoP) | 0.16+0.09*(NoP) |
| G | 6 | 0.24 |
| R | 22 | 0.87 |
| E_1 | 20 | 0.79 |

PED pression / température



AXINTRA

ÉCHANGEURS THERMIQUES





AXINTRA

ÉCHANGEURS THERMIQUES

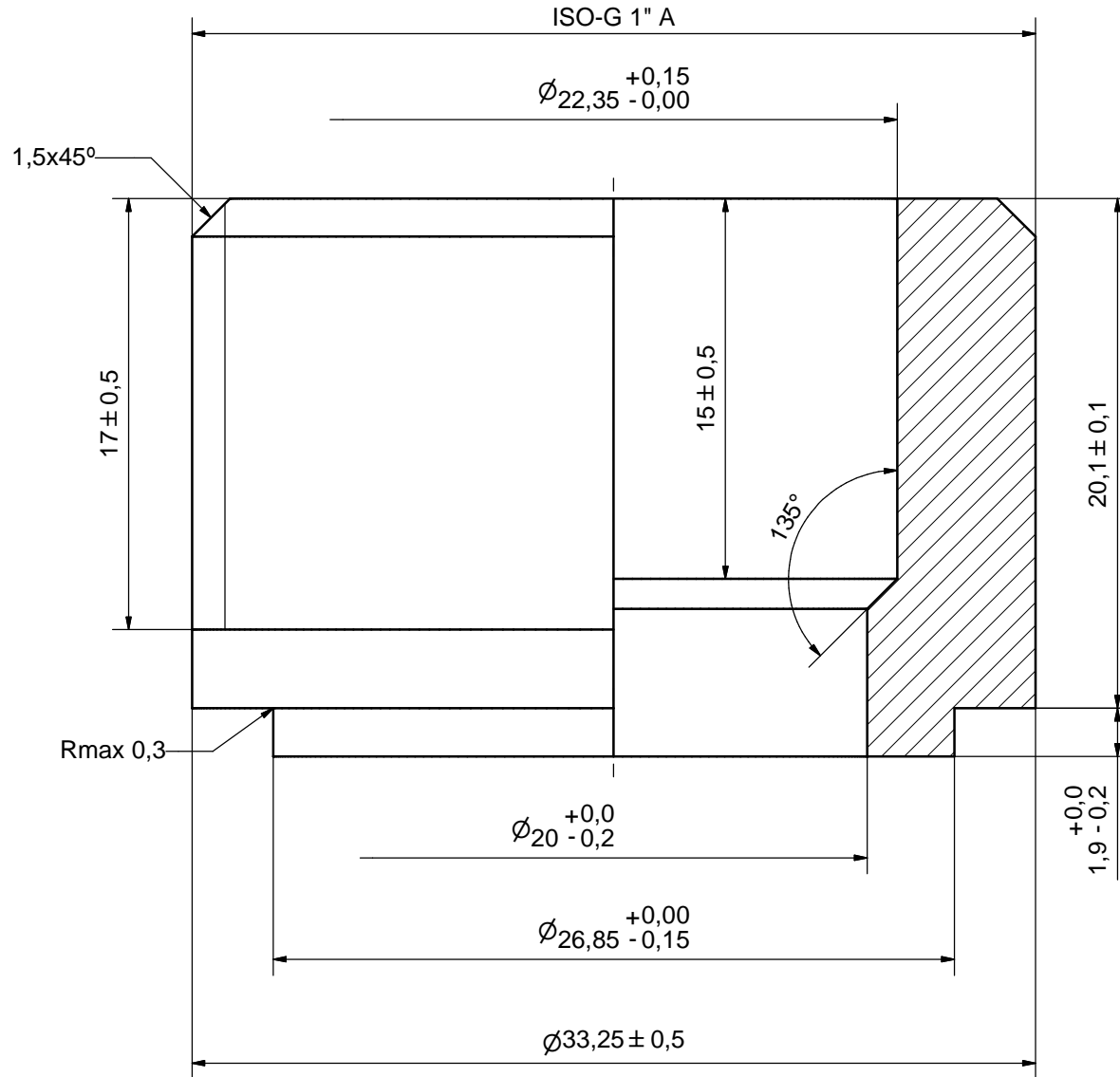
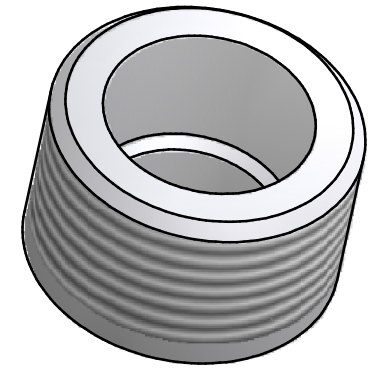
| | | | |
|----|-------|------------------------------------|----------|
| F4 | 32566 | ISO-G 1" A & SOLDER 22U, TH = 20,1 | CD000806 |
| F3 | 45082 | SOLDER 28U, TH = 20,1 | CD000032 |
| F2 | 32566 | ISO-G 1" A & SOLDER 22U, TH = 20,1 | CD000806 |
| F1 | 45082 | SOLDER 28U, TH = 20,1 | CD000032 |

| Pos | Article No | Title / Denomination, code, material, dimension etc | Drawing No./ref | Pos | Article No | Title / Denomination, code, material, dimension etc | Drawing No./ref |
|-----|------------|-----------------------------------------------------|-----------------|-----|------------|-----------------------------------------------------|-----------------|
|-----|------------|-----------------------------------------------------|-----------------|-----|------------|-----------------------------------------------------|-----------------|

NOTE 1 ALTERNATE MARKING: STICKER OR STAMP

| | | | |
|----------------------------------------------------------------------------------------------------------|--------------|----------------|---------------------------------------------------------------------------------------|
| Title | | B10TH/1P-SC-M | |
|  A DOVER COMPANY | Created Date | Created By |  |
| | 2019-01-21 | AU | |
| Article/Configuration number | | Drawing number | |
| 15370-070 | | AU00452897 | |

| Rev No. | Alteration | Date | Checked | Approved |
|---------|---------------------|------------|---------|----------|
| 1 | CHANGED DENOMIATION | 2007/05/28 | ANL | PDM |



ACCORDING TO MQS
MATERIAL

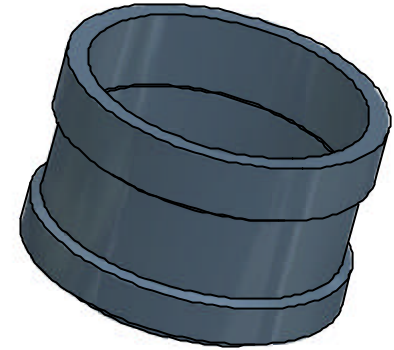
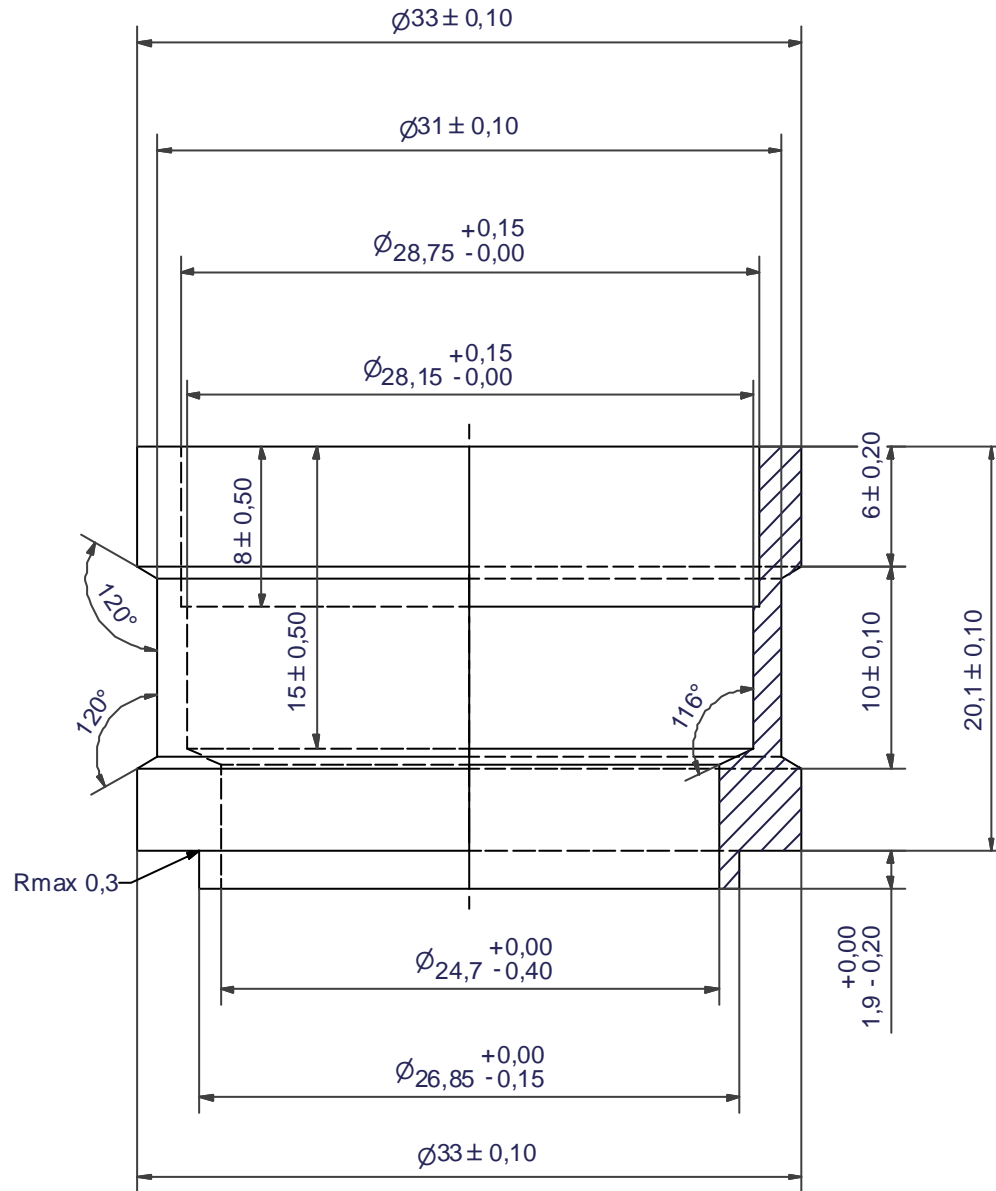
| | | | | | | |
|----------------|---------|----------------|-------------------------|------------------------------------------|------------------------------|-------|
| Drawn | Checked | Approved | Created Date | General geometrical tolerancing ISO 2768 | General surface finish R_a | Scale |
| THE | PDM | PDM | 2006/05/09 | m | 3.2 | 5:1 |
| Title | | | ISO-G 1" A & SOLDER 22U | | | |
| Article number | | Drawing number | | Revision | Sheet | |
| - | | CD000806 | | 1 | 1 (1) | |

© Company Confidential, Property of SWEP International/AB

AXINTRA
ÉCHANGEURS THERMIQUES

SWEP
A DOVER COMPANY

| Rev No. | Alteration | Date | Checked | Approved |
|---------|---------------------|------------|---------|----------|
| 8 | REDRAWN IN INVENTOR | 2004/07/07 | TN | PDM |



© Company Confidential, Property of SWEF International AB

AXINTRA
ÉCHANGEURS THERMIQUES

| | | | | | | | |
|-----------------|---------------|----------------|----------------------------|--------------------------------------------------|-------------------------------------------------|----------------|--------------|
| Drawn SA | Checked TP | Approved VP | Created Date 1990/09/08 | General geometrical tolerancing ISO 2768 m | General surface finish R _a 3.2 | | Scale 4:1 |
| | | | Title SOLDER 28U | | | | |
| | | | Article number - | Drawing number CD000032 | Revision 8 | Sheet 1 (1) | |
| A DOVER COMPANY | | | | | | | |