

B35TM0x40/1P-SC-S
2x1 1/2"INT HEX+2x1 1/4"INT HEX (27)

Code : 16102-040

Fiche technique et plans

B35T

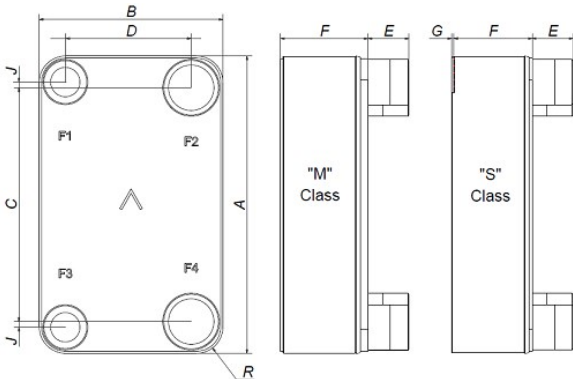
Le B35T est le produit idéal pour de nombreuses applications : chauffage urbain, récupération de chaleur, cogénération, refroidissement d'huile de transmission et de moteur. Il est le choix parfait pour bénéficier de transferts de chaleur efficaces et de faibles pertes de charges dans des systèmes de conduites jusqu'à 2 pouces et des débits d'eau jusqu'à 27 m³/h (118.8 gpm).



Spécifications de base

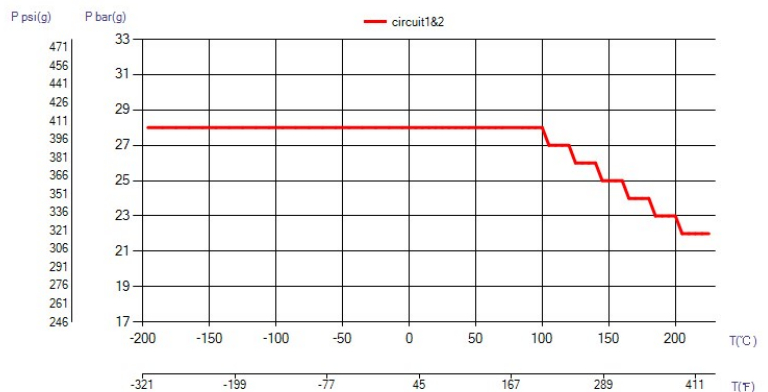
Nombre de plaques max. (NoP)	260
Débit volumétrique max.	27 m ³ /h (118.88 gpm)
Volume du canal	0.18/0.18 dm ³ (0.0064/0.0064 ft ³)
Matières	Plaques en acier inoxydable 316, brasage cuivre
Poids sans les connexions	7.27+(0.256*NoP) kg 16.04+(0.564*NoP) lb

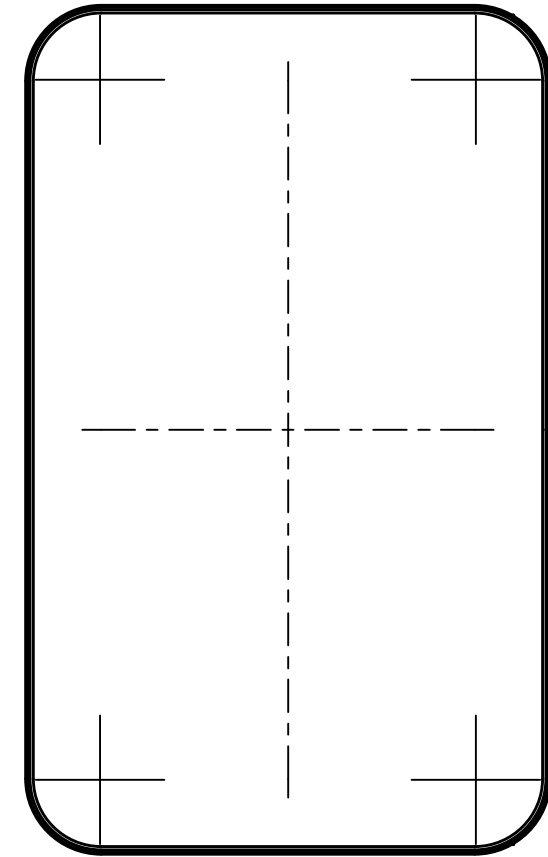
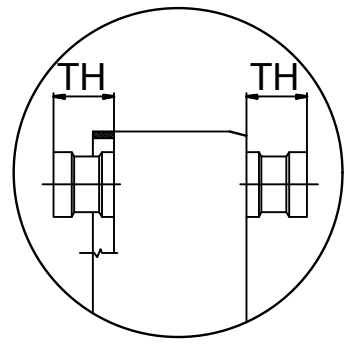
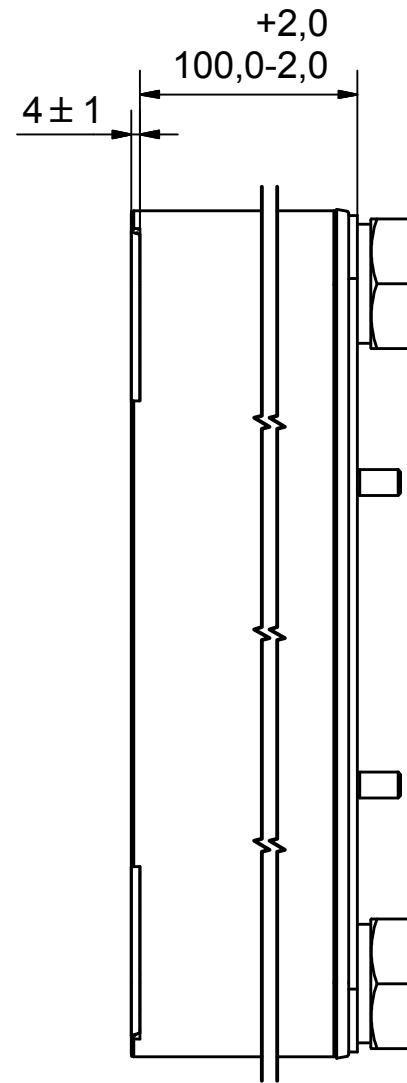
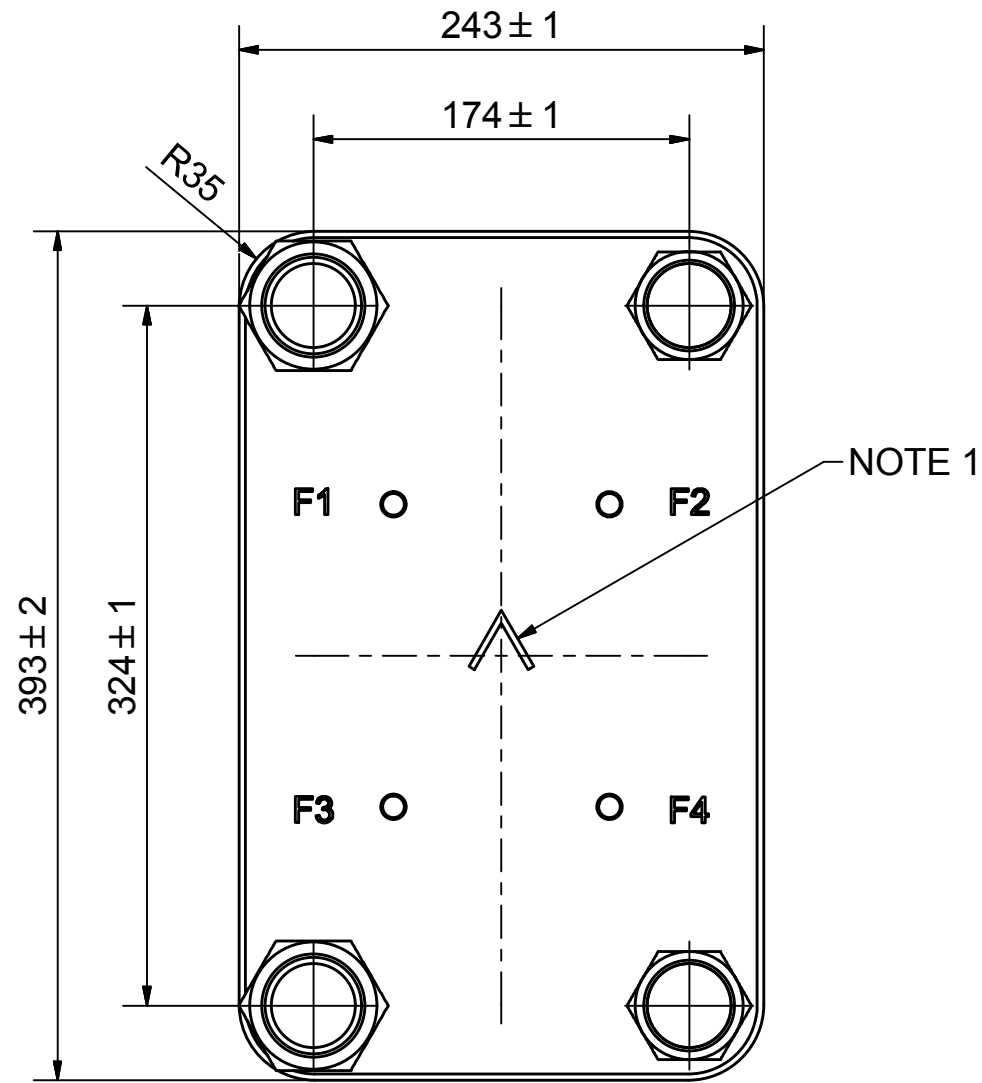
Les dimensions standard



#	MM	IN
A	393	15.47
B	243	9.57
C	324	12.76
D	174	6.85
F	10.00+2.26*(NoP)	0.39+0.09*(NoP)
G	4	0.16
R	35	1.38
E_1	27	1.06

PED pression / température







AXINTRA
ÉCHANGEURS THERMIQUES

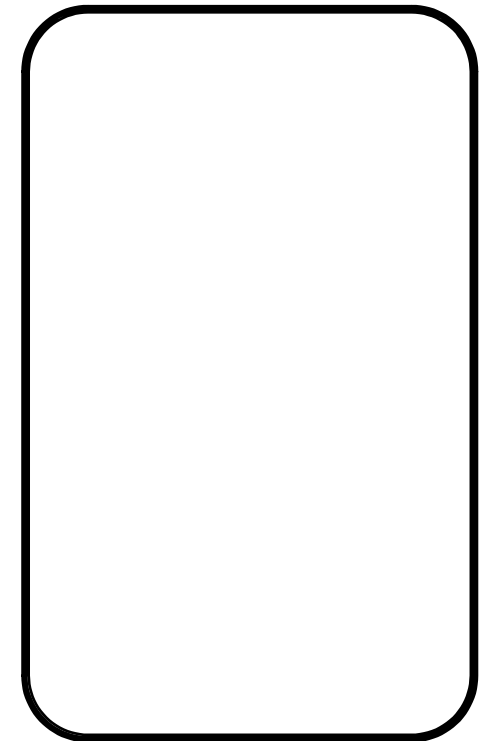
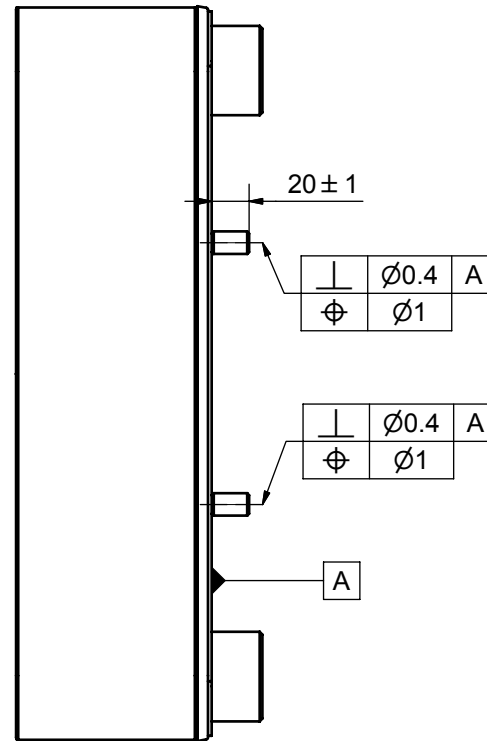
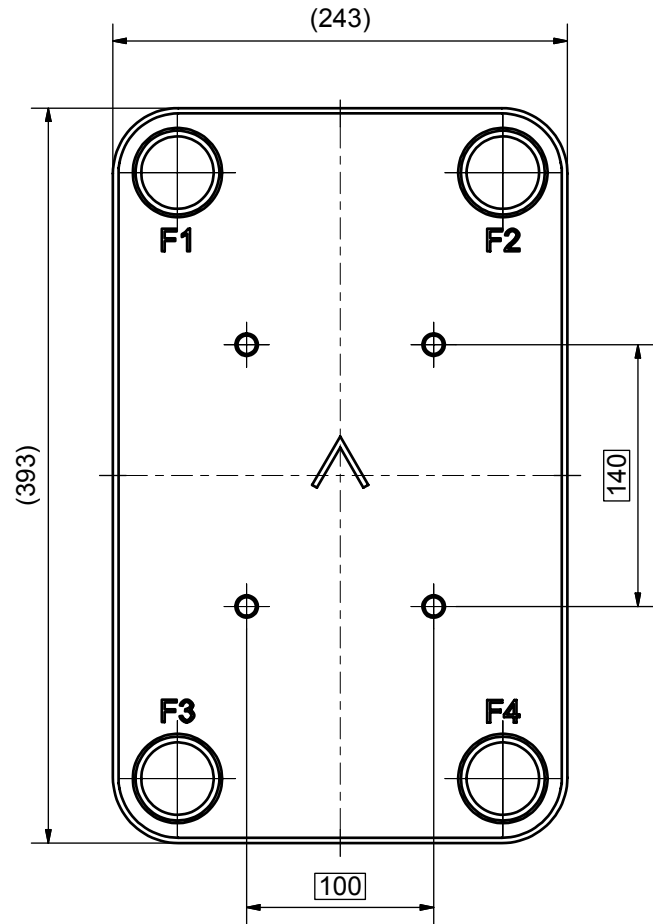
NOTE 1 ALTERNATE MARKING: STICKER OR STAMP

F4	45427	ISO-G 1 1/4" INT HEX, TH = 27,1	CD000008
F3	45405	ISO-G 1 1/2" INT HEX, TH = 27,1	CD000003
F2	45427	ISO-G 1 1/4" INT HEX, TH = 27,1	CD000008
F1	45405	ISO-G 1 1/2" INT HEX, TH = 27,1	CD000003
F	21112	B35 BOLT LOC F 4x C140x100	CG350001_1

Title		B35TM0/1P-SC-S	
 A DOVER COMPANY	Created Date	Created By	
	2018-06-29	AU	
Article/Configuration number		Drawing number	
16102-040		AU00392545	

Pos	Article No	Title / Denomination, code, material, dimension etc	Drawing No./ref	Pos	Article No	Title / Denomination, code, material, dimension etc	Drawing No./ref
-----	------------	---	-----------------	-----	------------	---	-----------------

Rev No.	Alteration	Date	Checked	Approved
2	REDRAWN IN INVENTOR	2004/12/10	PDM	PDM



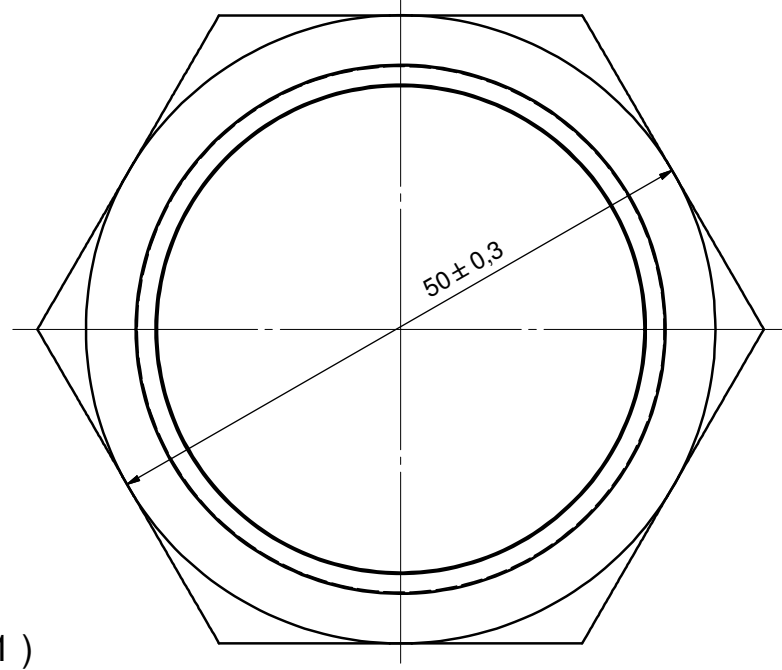
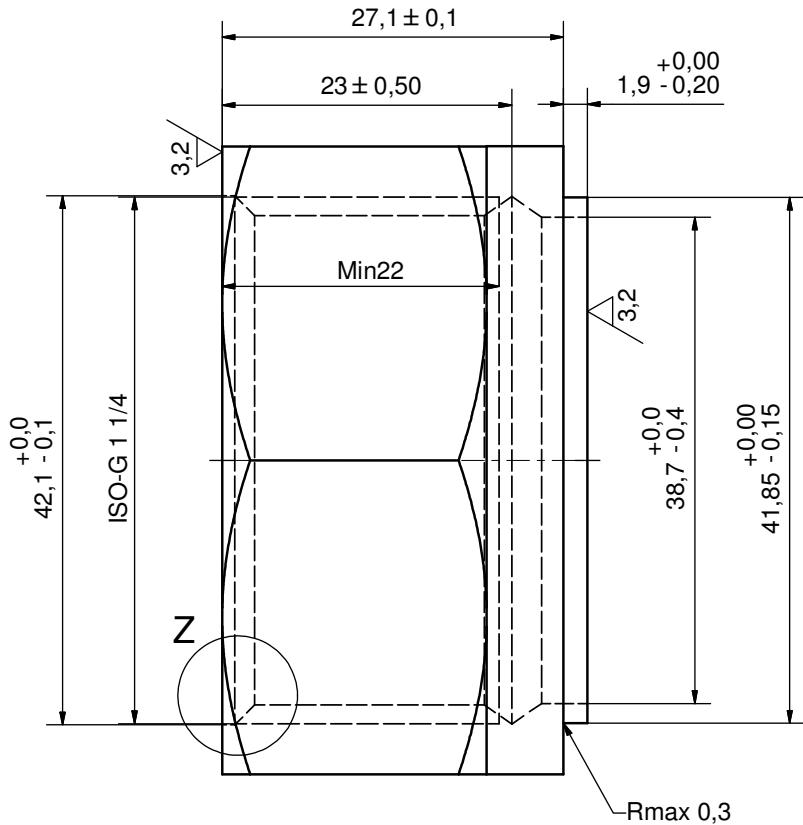
© Company Confidential, Property of SWEP International AB

AXINTRA
ÉCHANGEURS THERMIQUES

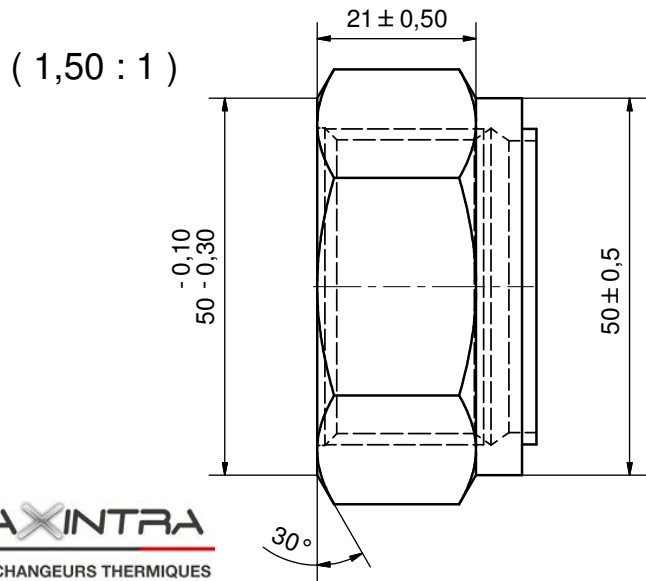
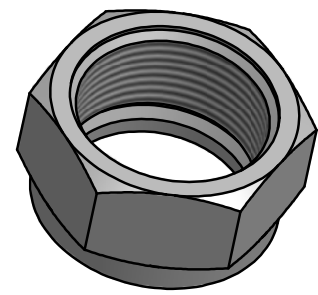
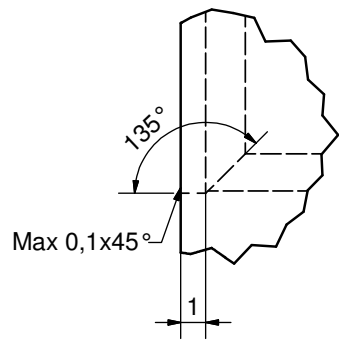
1	4	STUD BOLT M12 x 20, ART. NO. 45095	M12 x 20
ITE	QTY	DESCRIPTION	Drawing No.
Drawn JA	Checked PDM	Approved PDM	Created Date 2004/10/12
		General geometrical tolerancing ISO 2768 m	General surface finish R_a 3.2
Title B35 BOLT LOC F 4x C140x100			Scale 1:1
Article number 21112		Drawing number CG350001	Revision 2
		Sheet 1 (1)	



Rev No.	Alteration	Date	Checked	Approved
9	ADDED DEBURR AND MATERIAL INFO	2009/07/28	RJ	PDM



Z (5 : 1)



(1,50 : 1)

DEBURR SHARP EDGES; 0.4MAX

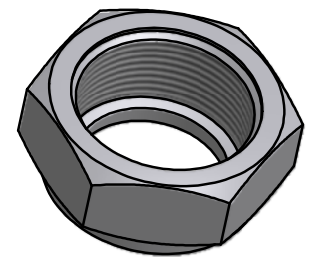
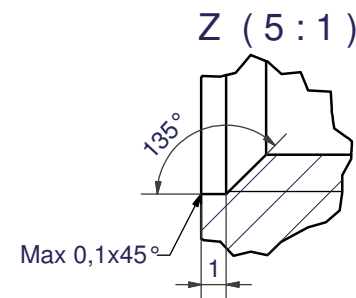
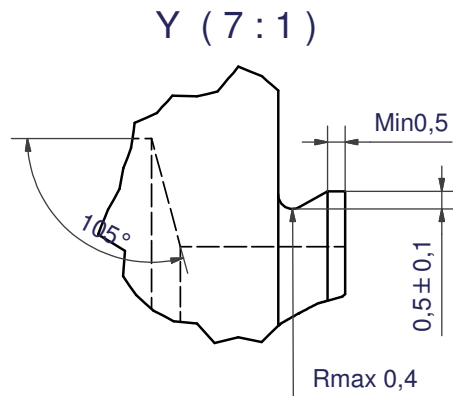
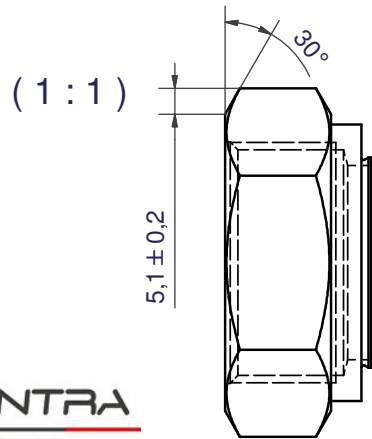
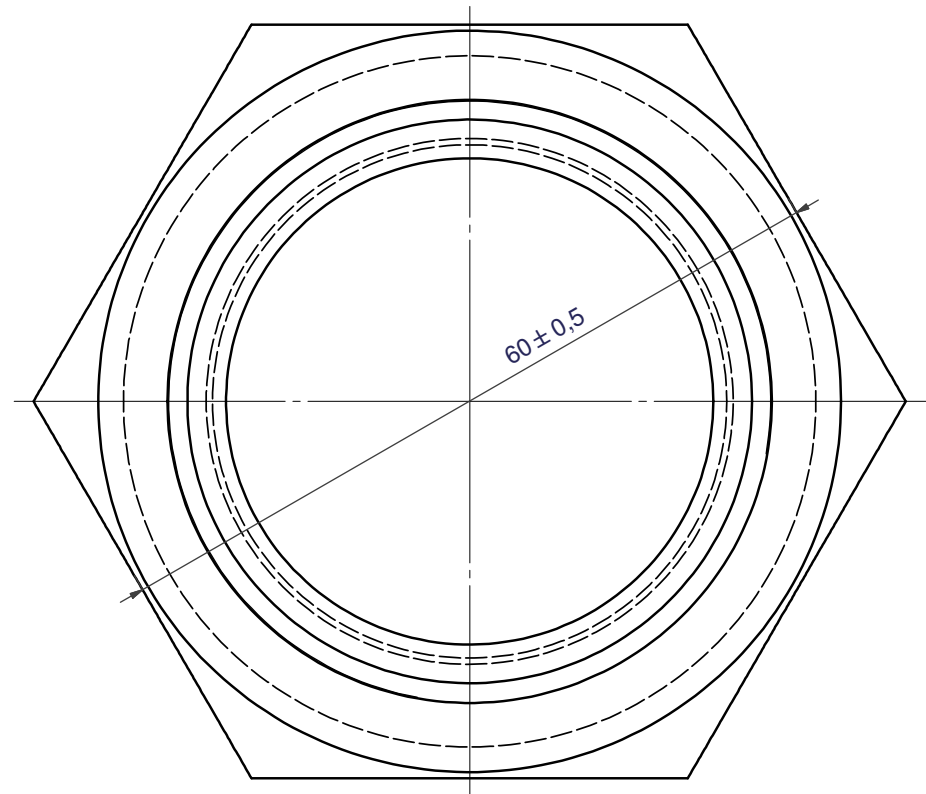
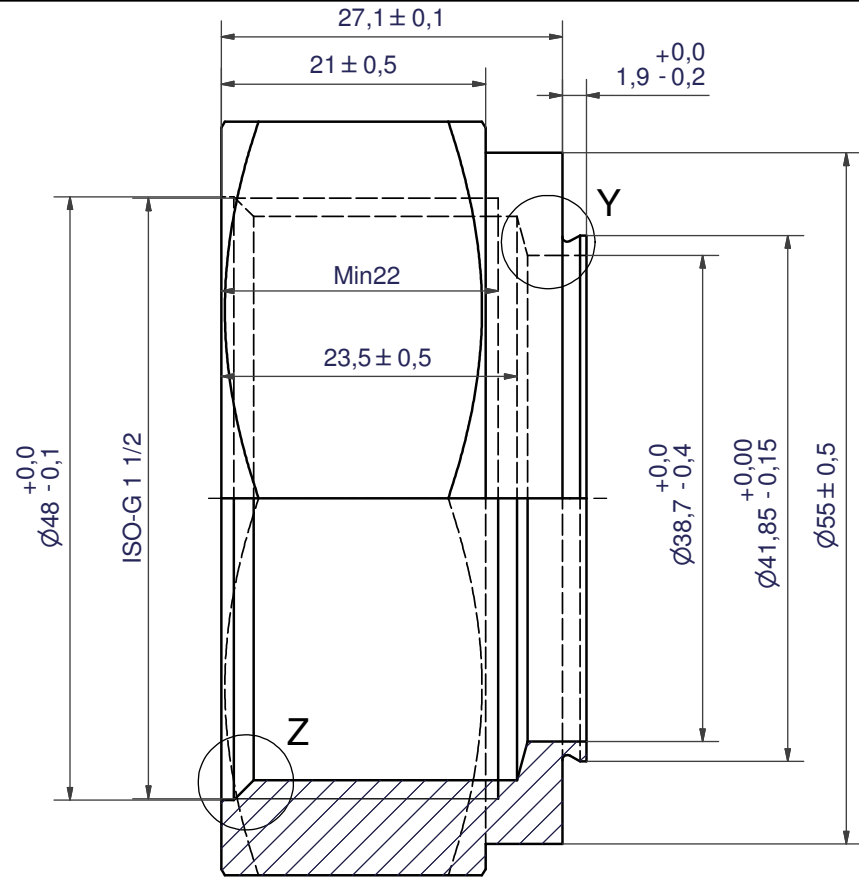
ACCORDING TO MQS
MATERIAL

Drawn	EG	Checked	TP	Approved	VP	Created Date	1992-08-21	General geometrical tolerancing ISO 2768	m	General surface finish Ra	3.2	Scale	-		
				Title		ISO-G 1 1/4" INT HEX									
Article number		-		Drawing number		CD000008		Revision		9		Sheet		1 (1)	

© Company Confidential, Property of SWEP International AB

AXINTRA
ÉCHANGEURS THERMIQUES

Rev No.	Alteration	Date	Checked	Approved
12	Changed "G" dimension from 25 to 23.5mm	2010/09/16	SKMZP	PDM



DEBURR SHARP EDGES; 0.4MAX

ACCORDING TO MQS
MATERIAL

Drawn	Checked	Approved	Created Date	General geometrical tolerancing ISO 2768	General surface finish Ra	Scale
EG	TP	VP	1992-05-05	m	3.2	-
			ISO-G 1 1/2" INT HEX			
Article number		Drawing number		Revision	Sheet	
-		CD000003		12	1 (1)	