

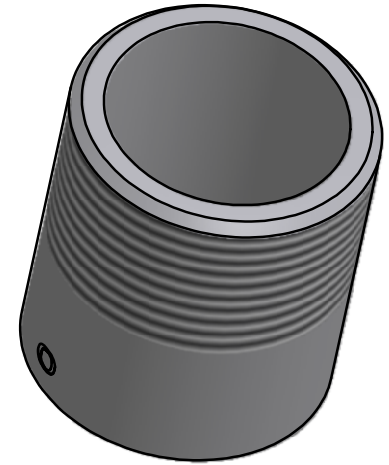
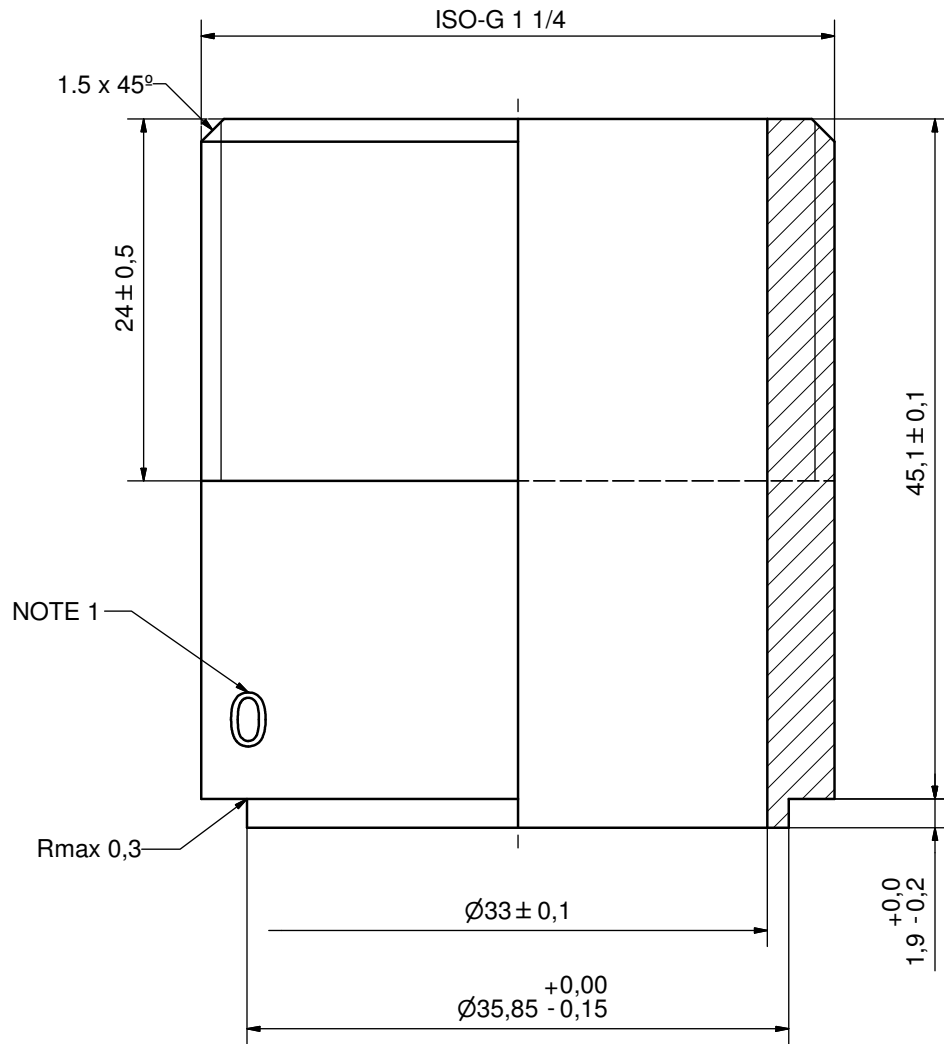
ÉCHANGEURS THERMIQUES

F4	36122	ISO-G 1 1/4", TH = 45,1	CD001434
F3	36122	ISO-G 1 1/4", TH = 45,1	CD001434
F2	36122	ISO-G 1 1/4", TH = 45,1	CD001434
F1	36122	ISO-G 1 1/4", TH = 45,1	CD001434

NOTE 1 ALTERNATE MARKING: STICKER OR STAMP

Title		B16H/1P-SC-S	
 A DOVER COMPANY	Created Date	Created By	
	2019-01-21	AU	
Article/Configuration number		Drawing number	
14870-080		AU00452945	



Pos	Article No	Title / Denomination, code, material, dimension etc	Drawing No./ref	Pos	Article No	Title / Denomination, code, material, dimension etc	Drawing No./ref
-----	------------	-----------------------------------------------------	-----------------	-----	------------	-----------------------------------------------------	-----------------



NOTE 1: MARKING TEXT "0" FOR IDENTIFICATION ONLY.
PRESENT AT 2 PLACES 180° FROM EACH OTHER
"0" = 304 MATERIAL

DEBURR SHARP EDGES; MAX 0,4

ACCORDING TO MQS
MATERIAL

Drawn	Checked	Approved	Created Date	General geometrical tolerancing ISO 2768	General surface finish Ra	Scale
AP	PDM	PDM	4/18/2011	m	3.2	-
			Title			
			ISO-G 1 1/4"			
Article number		DesignType	Drawing number	Revision	Sheet	
-			CD001434	00	1 (1)	