

B16

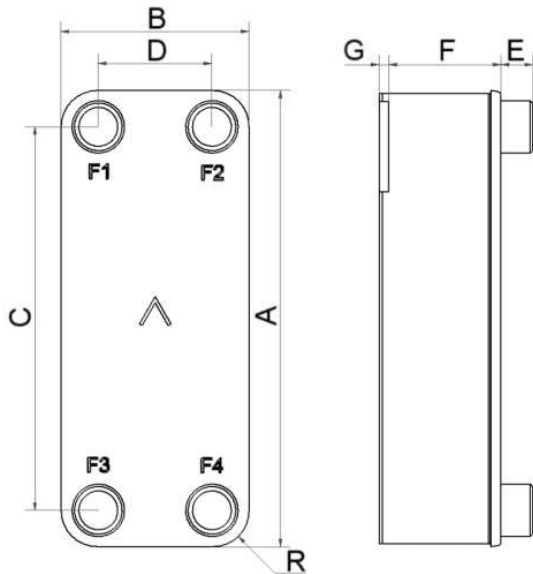
Le B16 a été spécialement conçu pour les applications monophasiques. Il est aussi adapté aux capacités et spécifications des sous-stations de chauffage urbain, des circuits de radiateurs, des applications de chauffage d'eau potable. Le B16 est aussi un excellent choix pour le refroidissement d'huile.



Spécifications de base

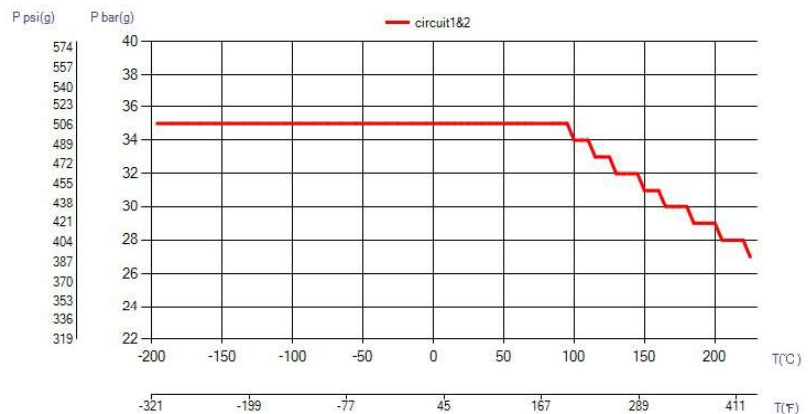
| | |
|------------------------------|--|
| Nombre de plaques max. (NoP) | 140 |
| Débit volumétrique max. | 16,9 m ³ /h (39.63 gpm) |
| Volume du canal | 0.082/0.082 dm ³ (0.0029/0.0029 ft ³) |
| Matières | Plaques en acier inoxydable 316, brasage cuivre |
| Poids sans les connexions | 1.48+(0.12*NoP) kg 3.25+(0.265*NoP) lb |

Les dimensions standard



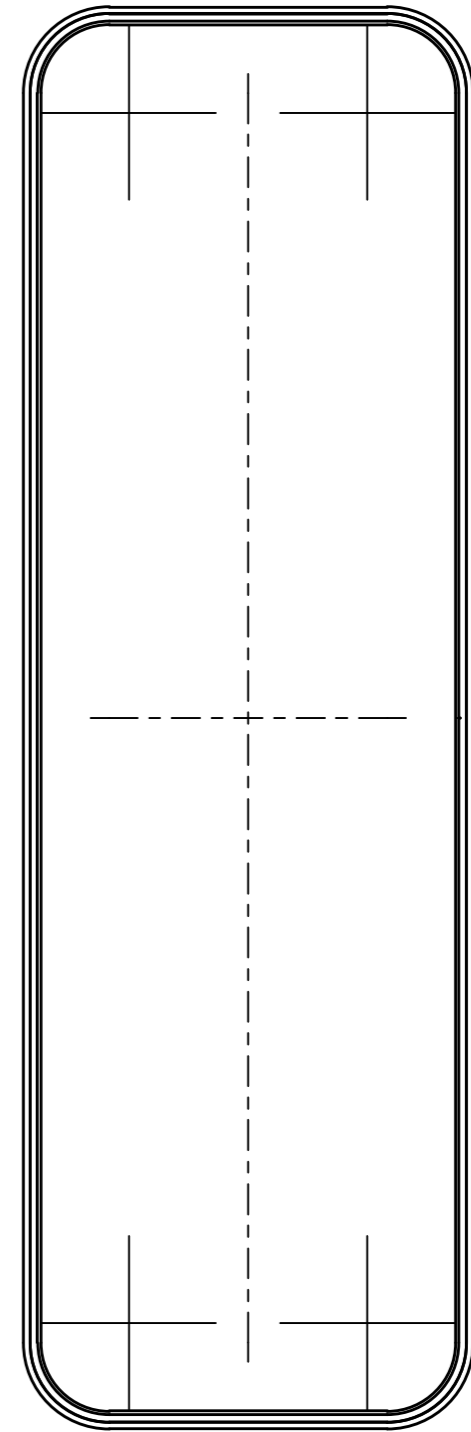
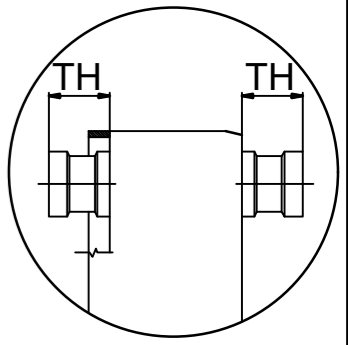
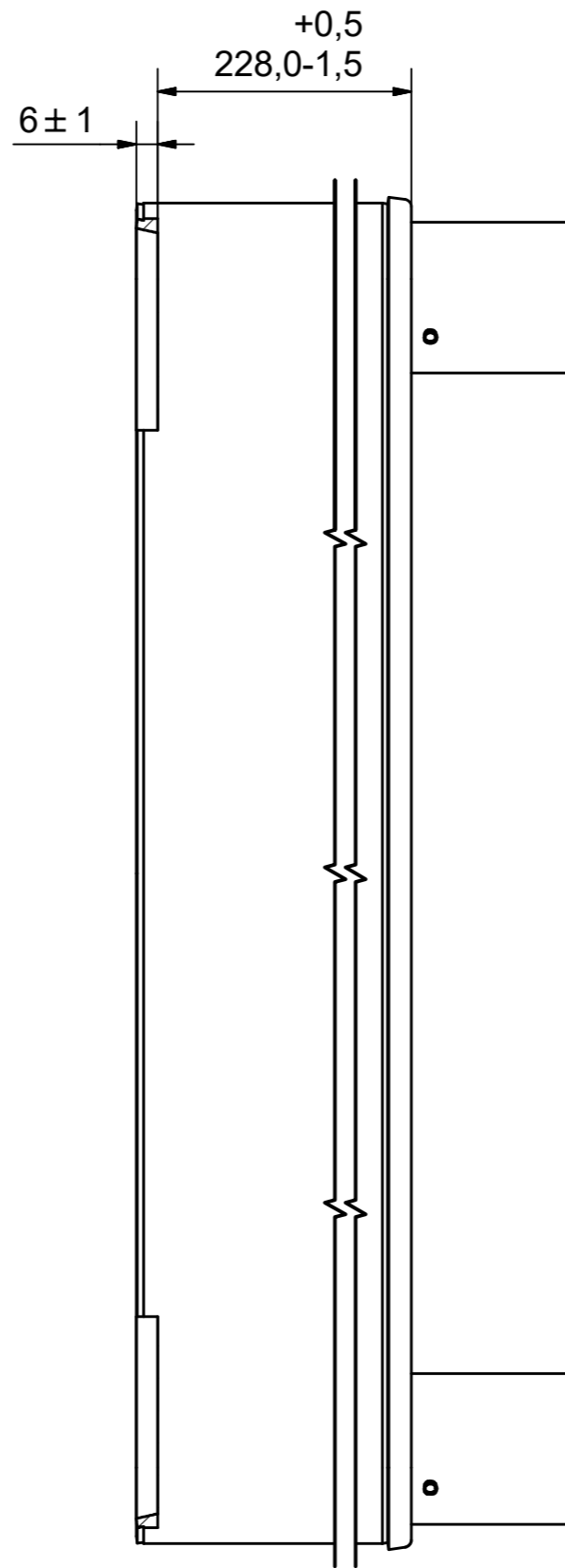
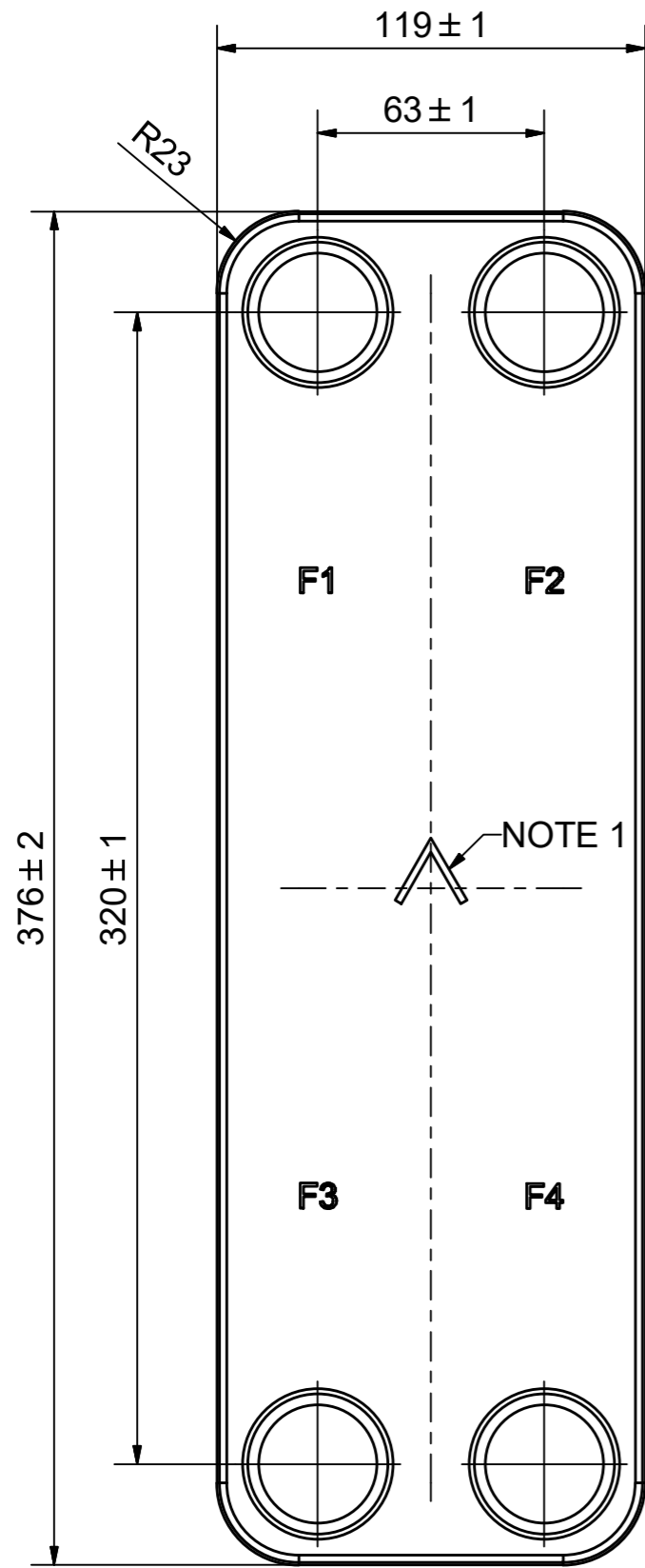
| # | MM | IN |
|-----|-----------------|-----------------|
| A | 376 | 14.8 |
| B | 119 | 4.69 |
| C | 320 | 12.6 |
| D | 63 | 2.48 |
| F | 4.00+2.24*(NoP) | 0.16+0.09*(NoP) |
| G | 6 | 0.24 |
| R | 23 | 0.91 |
| E_1 | 27 | 1.06 |

PED pression / température



AXINTRA

ÉCHANGEURS THERMIQUES




AXINTRA

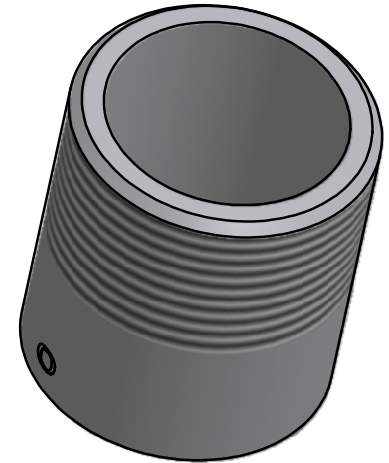
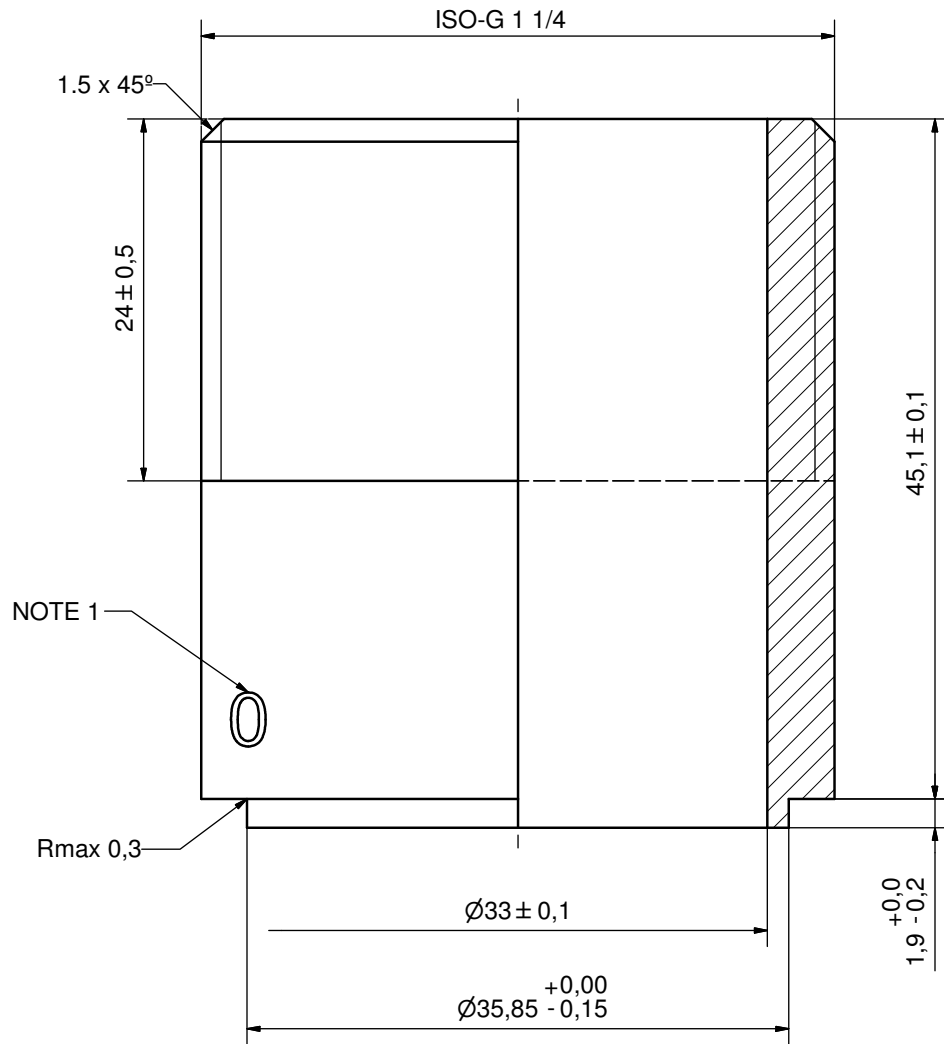
ÉCHANGEURS THERMIQUES

| | | | |
|----|-------|-------------------------|----------|
| F4 | 36122 | ISO-G 1 1/4", TH = 45,1 | CD001434 |
| F3 | 36122 | ISO-G 1 1/4", TH = 45,1 | CD001434 |
| F2 | 36122 | ISO-G 1 1/4", TH = 45,1 | CD001434 |
| F1 | 36122 | ISO-G 1 1/4", TH = 45,1 | CD001434 |

NOTE 1 ALTERNATE MARKING: STICKER OR STAMP

| Pos | Article No | Title / Denomination, code, material, dimension etc | Drawing No./ref | Pos | Article No | Title / Denomination, code, material, dimension etc | Drawing No./ref |
|-----|------------|---|-----------------|-----|------------|---|-----------------|
|-----|------------|---|-----------------|-----|------------|---|-----------------|



| | | | |
|--|--|--------------|------------|
| Title | | B16H/1P-SC-S | |
|  A DOVER COMPANY | | Created Date | 2019-01-21 |
| | | Created By | AU |
| Article/Configuration number | | 14870-100 | |
| Drawing number | | AU00452947 | |



NOTE 1: MARKING TEXT "0" FOR IDENTIFICATION ONLY.
PRESENT AT 2 PLACES 180° FROM EACH OTHER
"0" = 304 MATERIAL

DEBURR SHARP EDGES; MAX 0,4

ACCORDING TO MQS
MATERIAL

| | | | | | | |
|---|---------|------------|----------------|--|---------------------------|-------|
| Drawn | Checked | Approved | Created Date | General geometrical tolerancing ISO 2768 | General surface finish Ra | Scale |
| AP | PDM | PDM | 4/18/2011 | m | 3.2 | - |
|  | | | Title | | | |
|  | | | ISO-G 1 1/4" | | | |
| Article number | | DesignType | Drawing number | Revision | Sheet | |
| - | | | CD001434 | 00 | 1 (1) | |