

# B25T

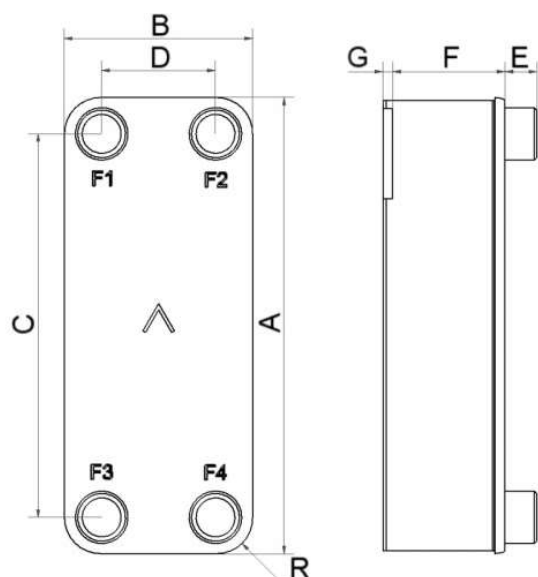
Le modèle B25T propose des solutions d'échange thermique efficace pour une large fourchette de capacités. La polyvalence et l'excellent transfert thermique de ce produit en font le choix idéal pour les applications eau/eau exigeantes et comme de très performance condenseurs.



## Spécifications de base

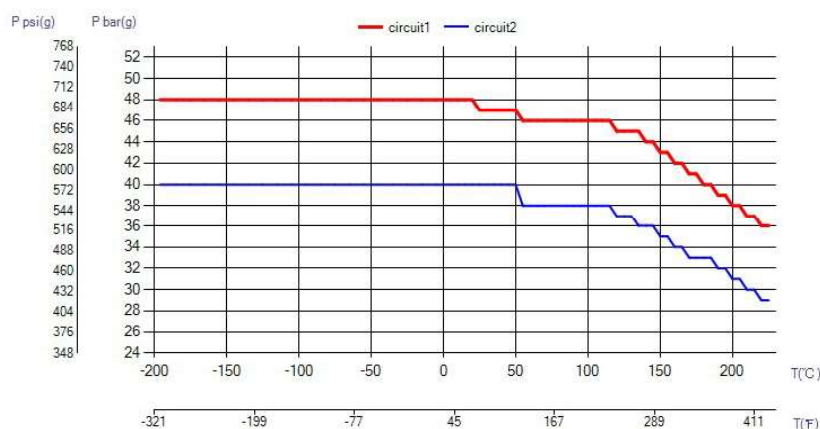
Nombre de plaques max. (NoP)	140
Débit volumétrique max.	9 m <sup>3</sup> /h (39.63 gpm)
Volume du canal	0.111/0.111 dm <sup>3</sup> (0.0039/0.0039 ft <sup>3</sup> )
Matières	Plaques en acier inoxydable 316, brasage cuivre
Poids sans les connexions	2.13+(0.1775*NoP) kg 4.69+(0.391*NoP) lb

## Les dimensions standard

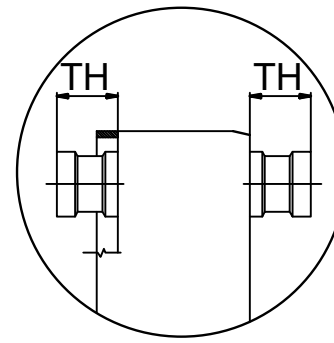
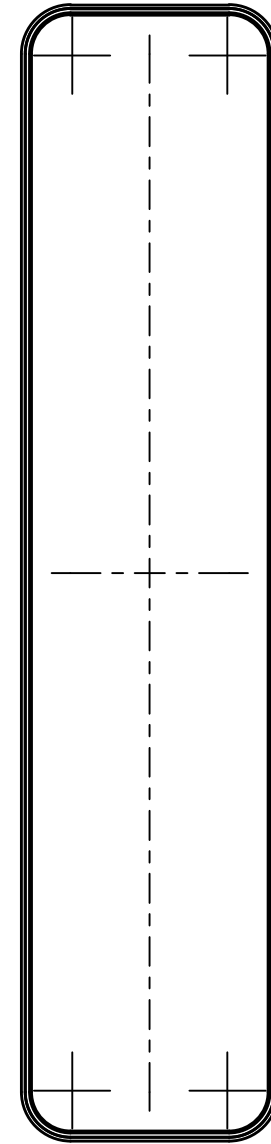
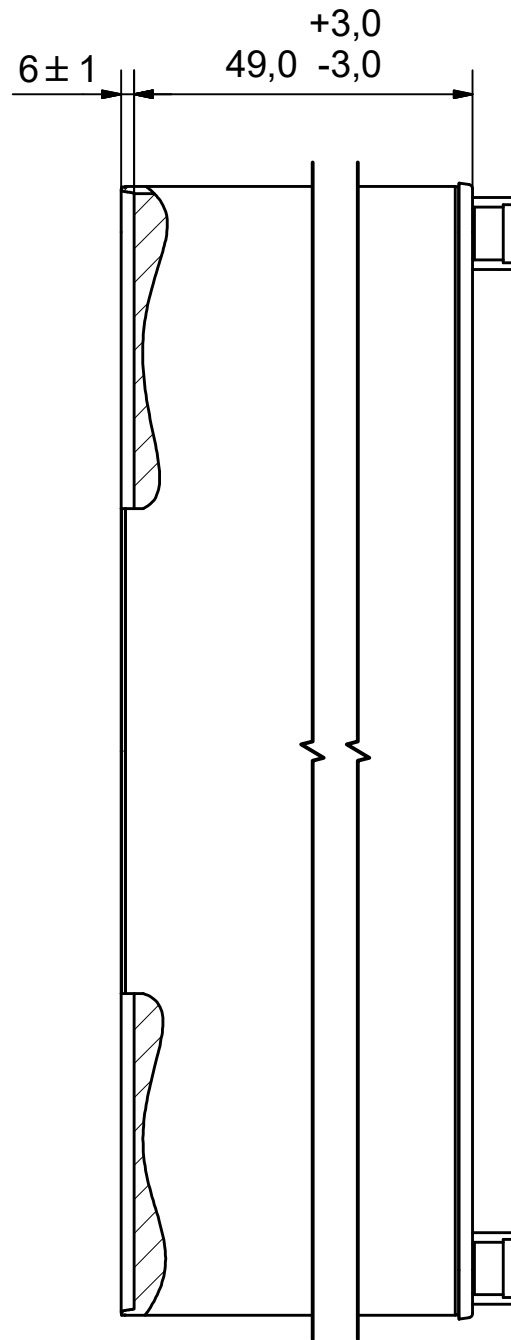
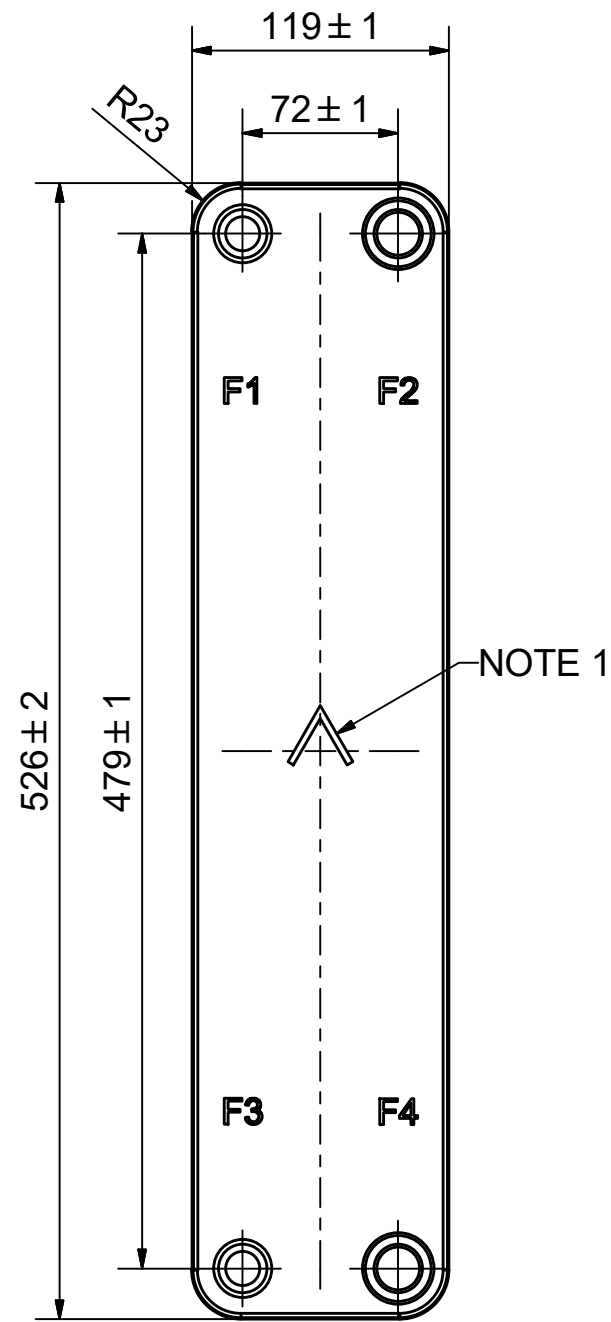


#	MM	IN
A	526	20.71
B	119	4.69
C	479	18.86
D	72	2.83
F	4.00+2.25*(NoP)	0.16+0.09*(NoP)
G	6	0.24
R	23	0.91
E_1	20	0.79

## PED pression / température



ÉCHANGEURS THERMIQUES



**AXINTRA**  
ÉCHANGEURS THERMIQUES

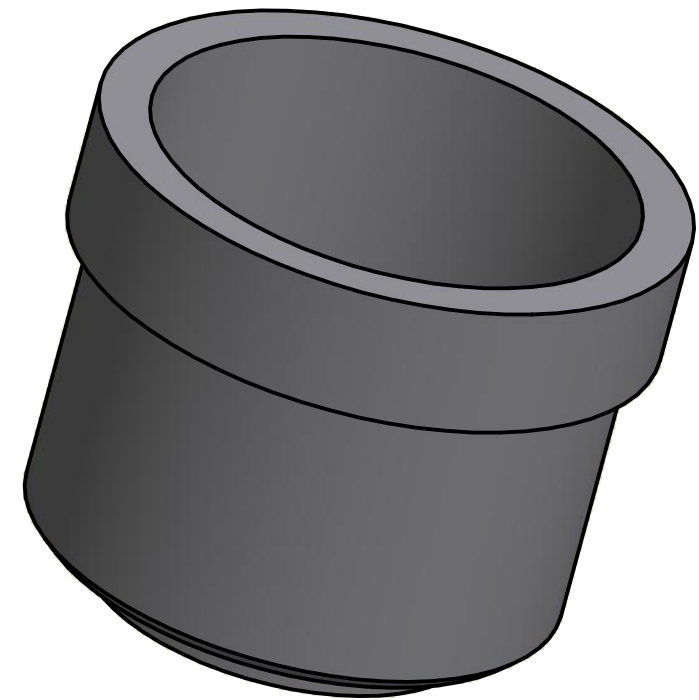
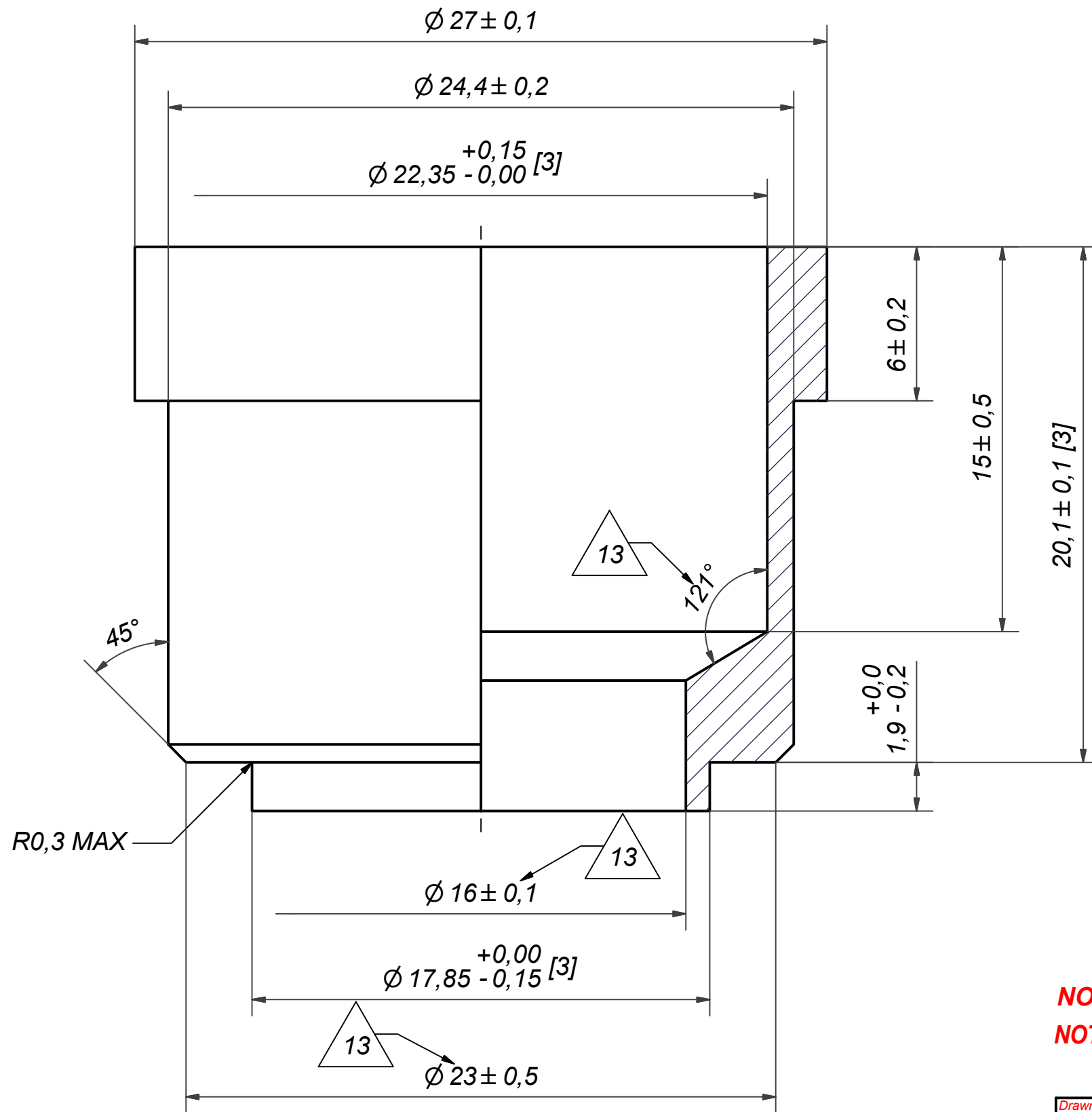
NOTE 1 ALTERNATE MARKING: STICKER OR STAMP

F4	32566	ISO-G 1" A & SOLDER 22U, TH = 20,1	CD000806
F3	45072	SOLDER 22U, TH = 20,1	CD000094
F2	32566	ISO-G 1" A & SOLDER 22U, TH = 20,1	CD000806
F1	45072	SOLDER 22U, TH = 20,1	CD000094

Pos	Article No	Title / Denomination, code, material, dimension etc	Drawing No./ref	Pos	Article No	Title / Denomination, code, material, dimension etc	Drawing No./ref
-----	------------	---	-----------------	-----	------------	---	-----------------

Title		<b>B25TH/1P-SC-M</b>	
		Created Date	2018-03-07
		Created By	AU
Article/Configuration number		14131-020	
Drawing number		AU00355965	

Rev No	Alteration	Date	Checked	Approved
13	DESIGN CHANGE ACCORDING TO RD100699 AND ADDED MARK FOR CRITICAL CHARACTERISTICS	2013-11-05	INPKP	VP

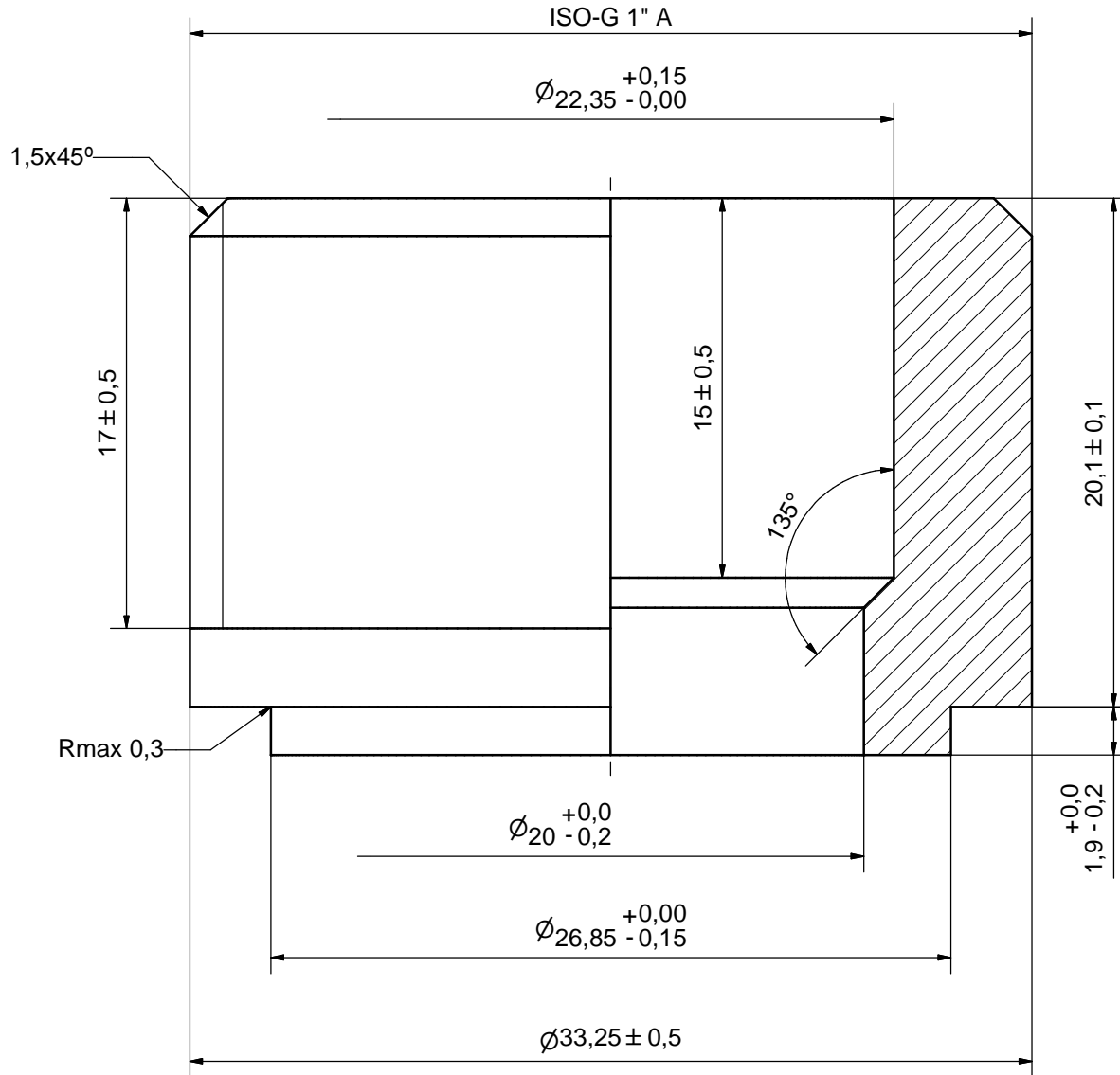
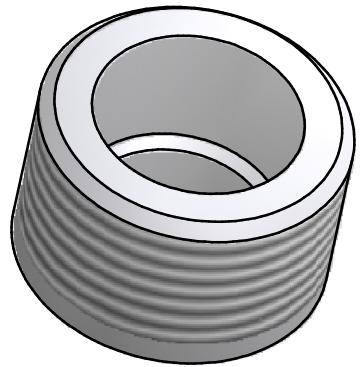


**NOTE 2: [3] - CRITICAL/SPECIAL CHARACTERISTIC TO BE FOLLOWED**  
**NOTE 1: DEBURR SHARP EDGES; MAX 0.4**

ACCORDING TO MQS  
MATERIAL

Drawn miguser	Checked EG	Approved VP	Created Date 1990-09-08	General geometrical tolerancing ISO 2768: m	General surface finish $R_a$ : 3.2		Scale -	Paper size A3
			Title SOLDER 22U					
			Article number CD	Design Type CD	Drawing number CD000094	Revision 13	Sheet 1 (1)	

Rev No.	Alteration	Date	Checked	Approved
1	CHANGED DENOMIATION	2007/05/28	ANL	PDM



ACCORDING TO MQS  
MATERIAL

Drawn	Checked	Approved	Created Date	General geometrical tolerancing ISO 2768	General surface finish $R_a$	Scale
THE	PDM	PDM	2006/05/09	m	3.2	5:1
Title				ISO-G 1" A & SOLDER 22U		
Article number		Drawing number		Revision	Sheet	
-		CD000806		1	1 (1)	

© Company Confidential, Property of SWEP International AB

**AXINTRA**  
ÉCHANGEURS THERMIQUES

**SWEP**  
A DOVER COMPANY