

B25T

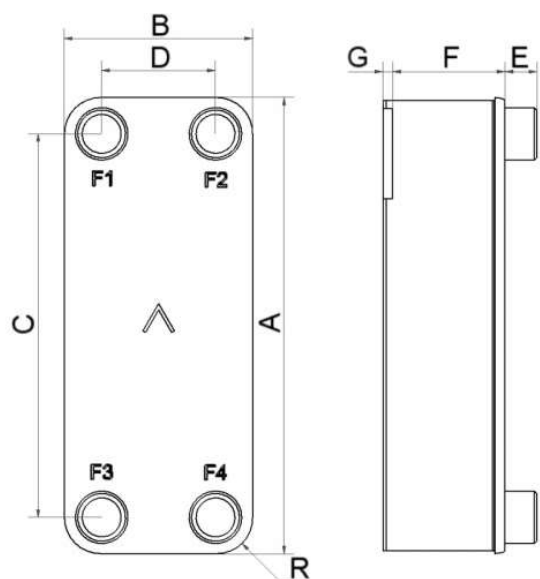
Le modèle B25T propose des solutions d'échange thermique efficace pour une large fourchette de capacités. La polyvalence et l'excellent transfert thermique de ce produit en font le choix idéal pour les applications eau/eau exigeantes et comme de très performance condenseurs.



Spécifications de base

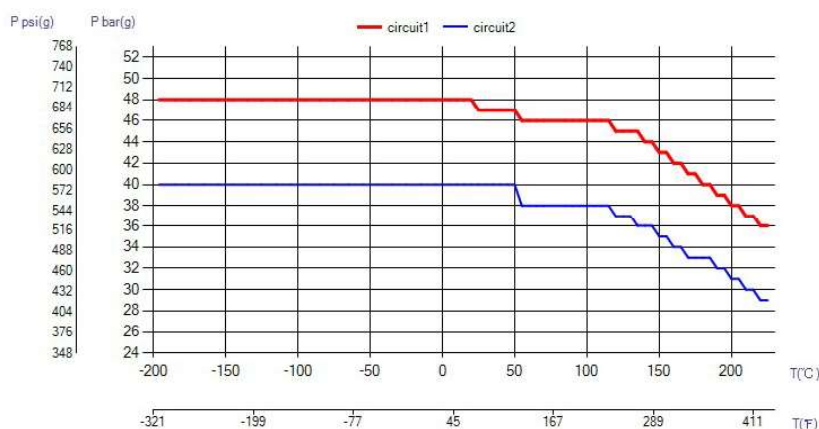
Nombre de plaques max. (NoP)	140
Débit volumétrique max.	9 m ³ /h (39.63 gpm)
Volume du canal	0.111/0.111 dm ³ (0.0039/0.0039 ft ³)
Matières	Plaques en acier inoxydable 316, brasage cuivre
Poids sans les connexions	2.13+(0.1775*NoP) kg 4.69+(0.391*NoP) lb

Les dimensions standard

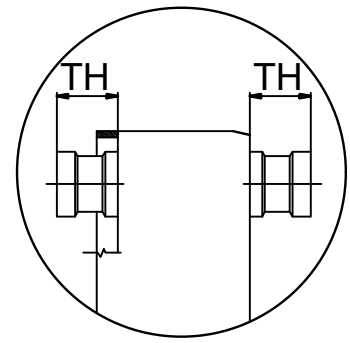
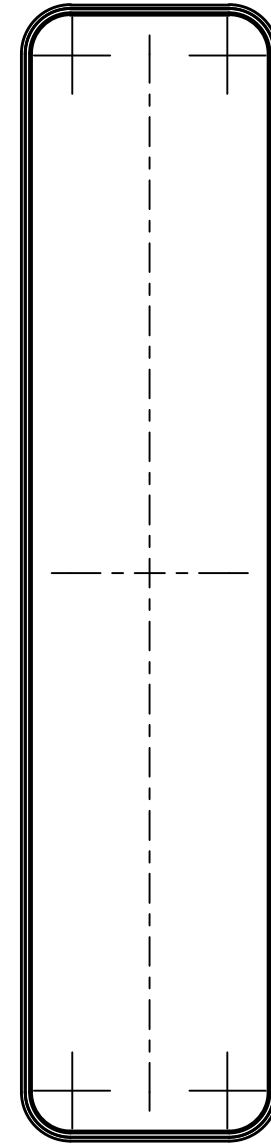
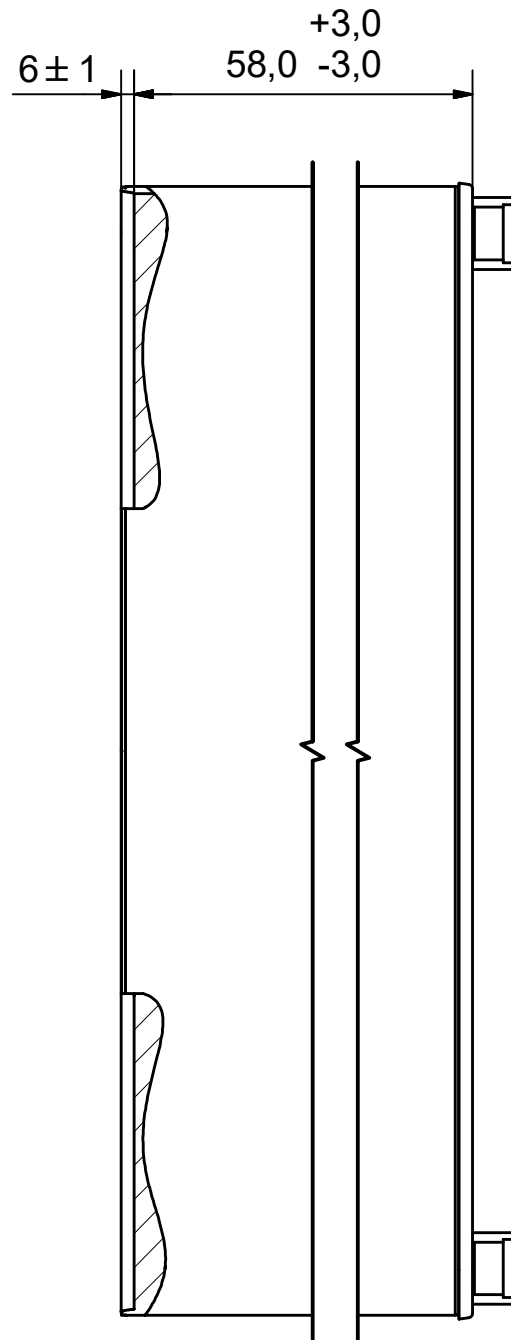
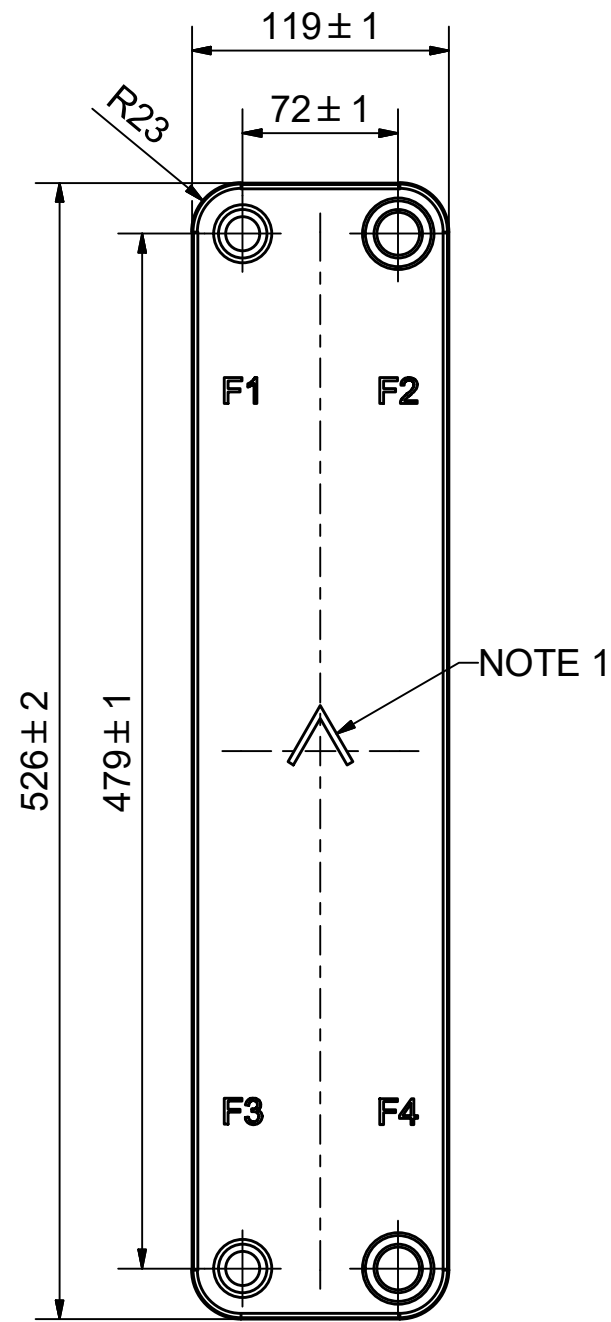


#	MM	IN
A	526	20.71
B	119	4.69
C	479	18.86
D	72	2.83
F	4.00+2.25*(NoP)	0.16+0.09*(NoP)
G	6	0.24
R	23	0.91
E_1	20	0.79

PED pression / température





ÉCHANGEURS THERMIQUES



AXINTRA
ÉCHANGEURS THERMIQUES

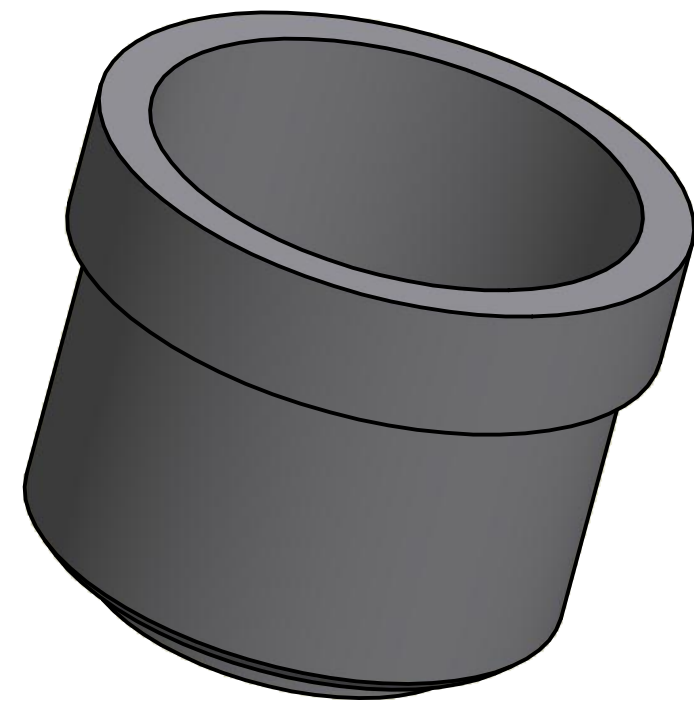
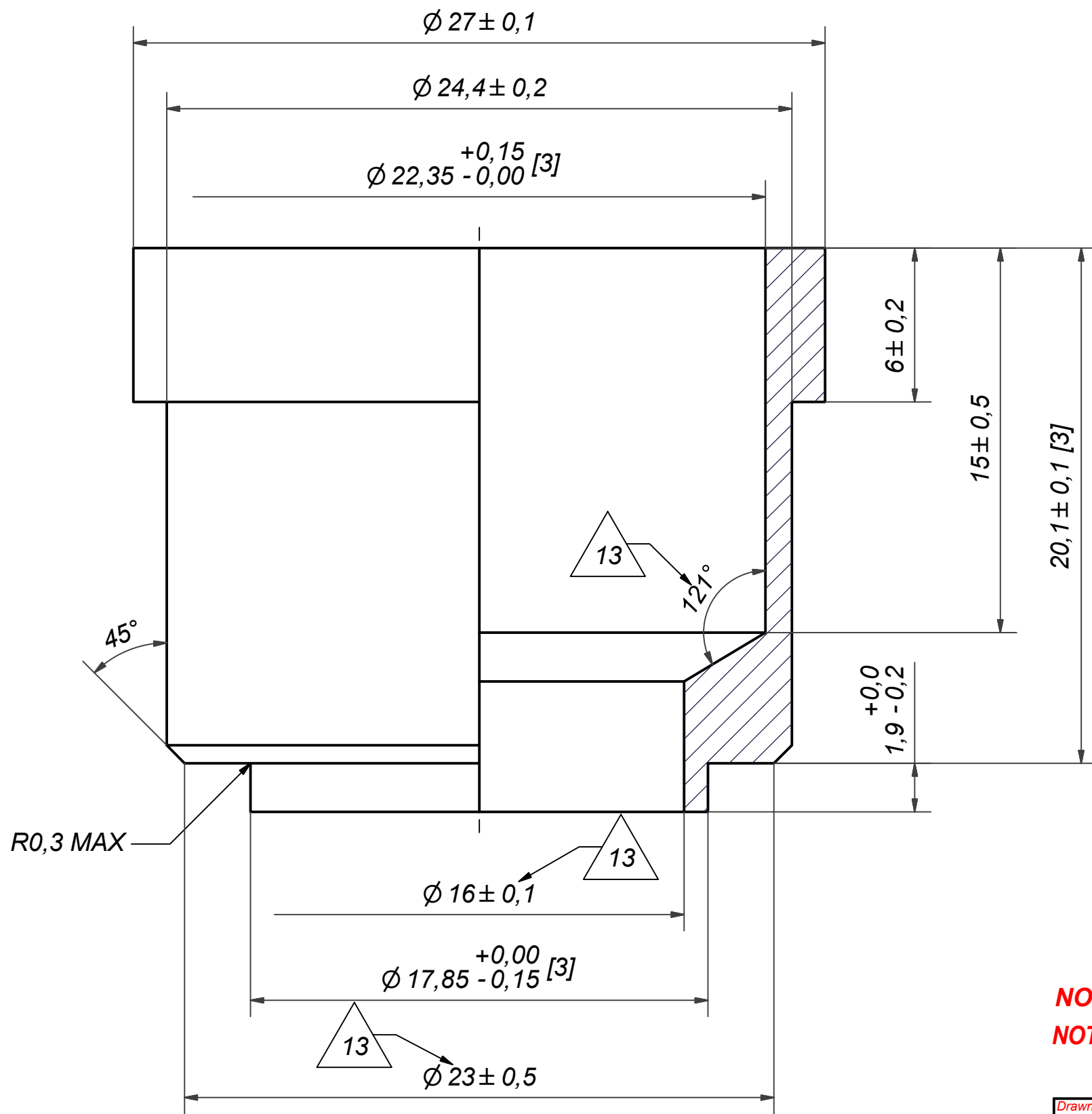
NOTE 1 ALTERNATE MARKING: STICKER OR STAMP

F4	32566	ISO-G 1" A & SOLDER 22U, TH = 20,1	CD000806
F3	45072	SOLDER 22U, TH = 20,1	CD000094
F2	32566	ISO-G 1" A & SOLDER 22U, TH = 20,1	CD000806
F1	45072	SOLDER 22U, TH = 20,1	CD000094

Title		B25TH/1P-SC-M	
 A DOVER COMPANY	Created Date	Created By	
	2019-01-22	AU	
	Article/Configuration number	Drawing number	
	14131-024	AU00453430	


Pos	Article No	Title / Denomination, code, material, dimension etc	Drawing No./ref	Pos	Article No	Title / Denomination, code, material, dimension etc	Drawing No./ref
-----	------------	---	-----------------	-----	------------	---	-----------------

Rev No	Alteration	Date	Checked	Approved
13	DESIGN CHANGE ACCORDING TO RD100699 AND ADDED MARK FOR CRITICAL CHARACTERISTICS	2013-11-05	INPKP	VP

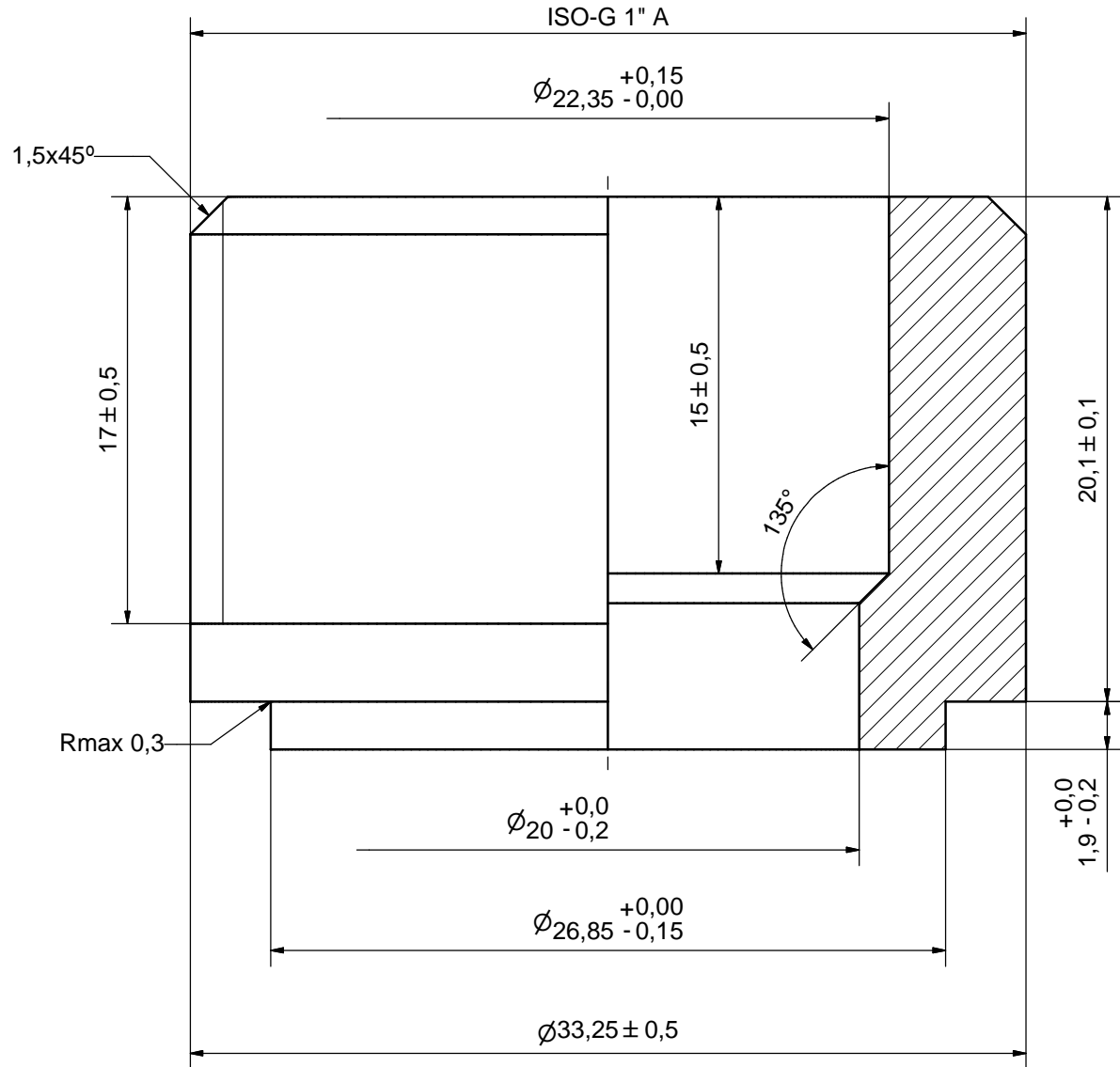
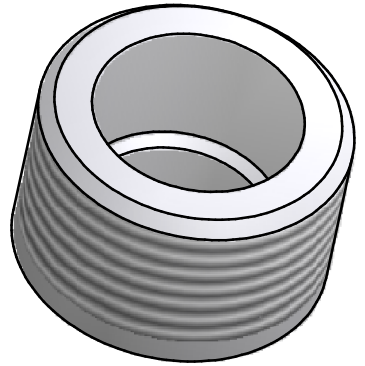


NOTE 2: [3] - CRITICAL/SPECIAL CHARACTERISTIC TO BE FOLLOWED
NOTE 1: DEBURR SHARP EDGES; MAX 0.4

ACCORDING TO MQS
MATERIAL

Drawn	Checked	Approved	Created Date	General geometrical tolerancing ISO 2768:	General surface finish R_a :	Scale	Paper size
miguser	EG	VP	1990-09-08	m	3.2	-	A3
			SOLDER 22U				
Article number	Design Type	Drawing number	Revision	Sheet			
	CD	CD000094	13	1 (1)			

Rev No.	Alteration	Date	Checked	Approved
1	CHANGED DENOMIATION	2007/05/28	ANL	PDM



ACCORDING TO MQS
MATERIAL

Drawn THE	Checked PDM	Approved PDM	Created Date 2006/05/09	General geometrical tolerancing ISO 2768 m	General surface finish R_a 3.2	Scale 5:1
Title ISO-G 1" A & SOLDER 22U			Article number -	Drawing number CD000806	Revision 1	Sheet 1 (1)

© Company Confidential, Property of SWEP International/AB

AXINTRA
ÉCHANGEURS THERMIQUES

SWEP
A DOVER COMPANY