

B25T

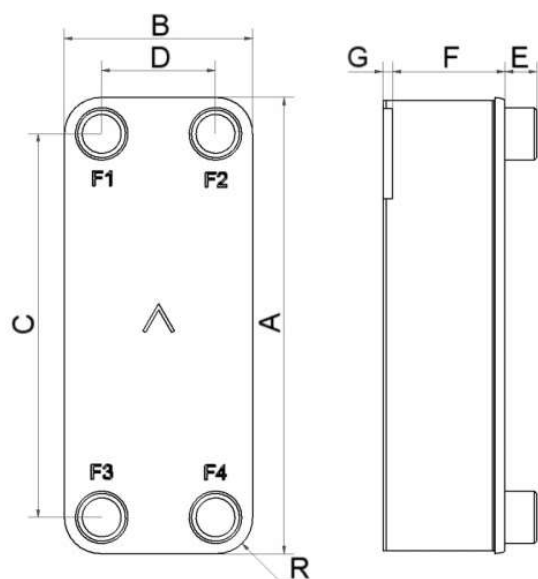
Le modèle B25T propose des solutions d'échange thermique efficace pour une large fourchette de capacités. La polyvalence et l'excellent transfert thermique de ce produit en font le choix idéal pour les applications eau/eau exigeantes et comme de très performance condenseurs.



Spécifications de base

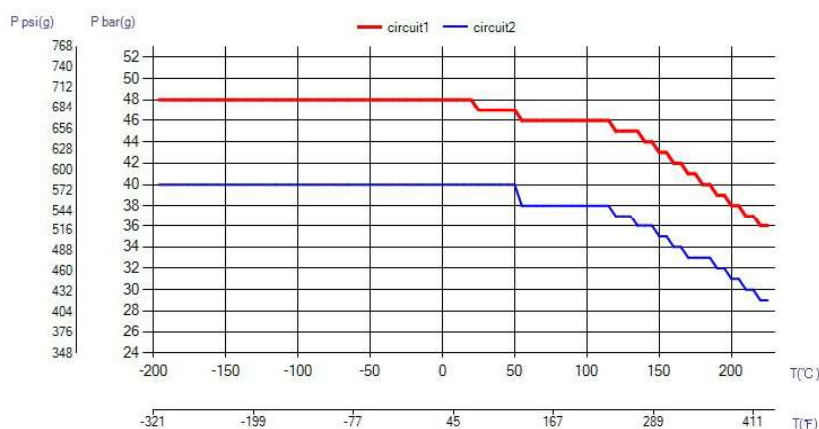
Nombre de plaques max. (NoP)	140
Débit volumétrique max.	9 m³/h (39.63 gpm)
Volume du canal	0.111/0.111 dm³ (0.0039/0.0039 ft³)
Matières	Plaques en acier inoxydable 316, brasage cuivre
Poids sans les connexions	2.13+(0.1775*NoP) kg 4.69+(0.391*NoP) lb

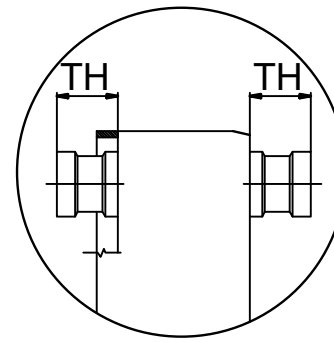
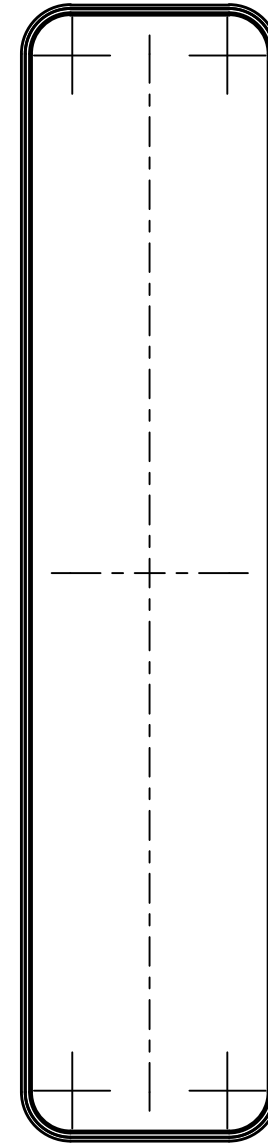
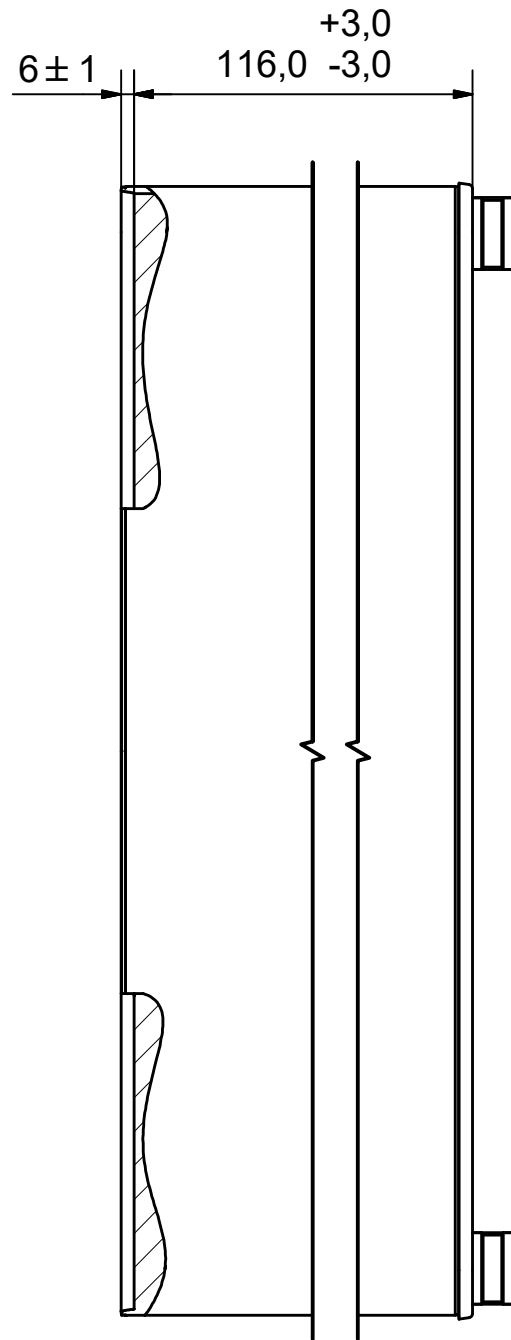
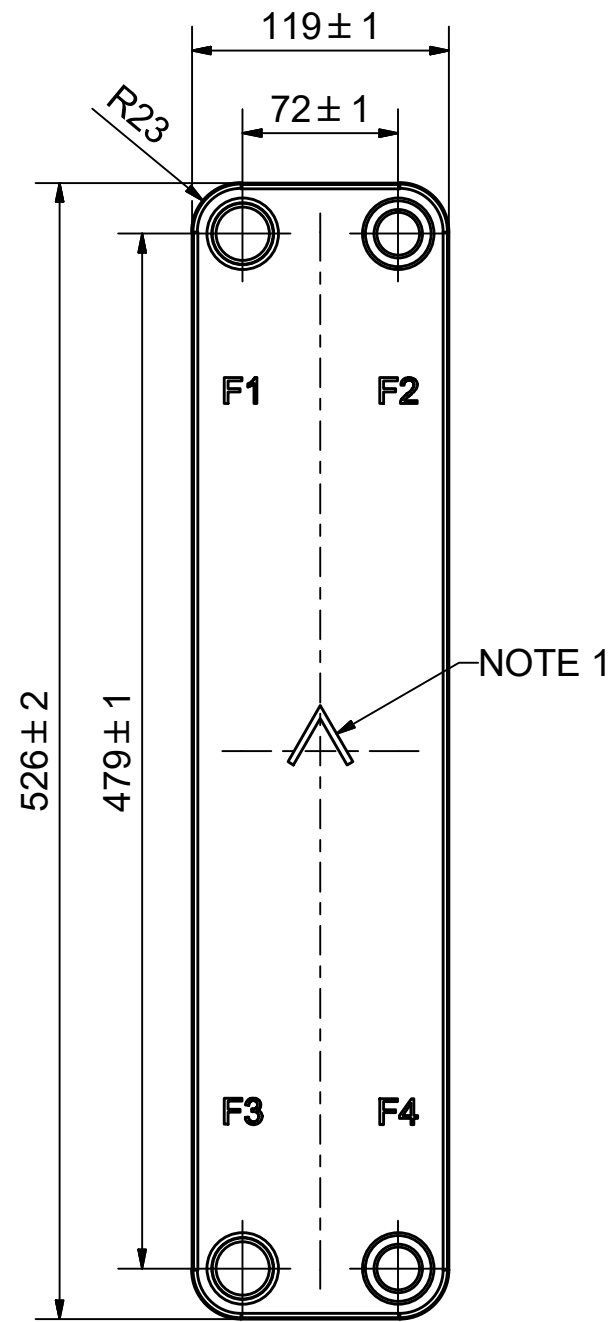
Les dimensions standard



#	MM	IN
A	526	20.71
B	119	4.69
C	479	18.86
D	72	2.83
F	4.00+2.25*(NoP)	0.16+0.09*(NoP)
G	6	0.24
R	23	0.91
E_1	20	0.79

PED pression / température






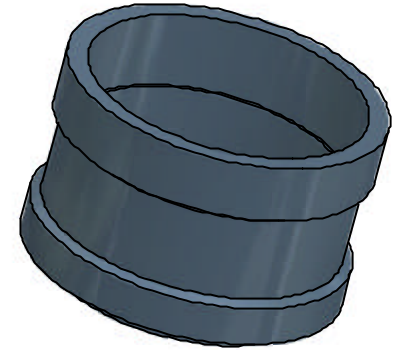
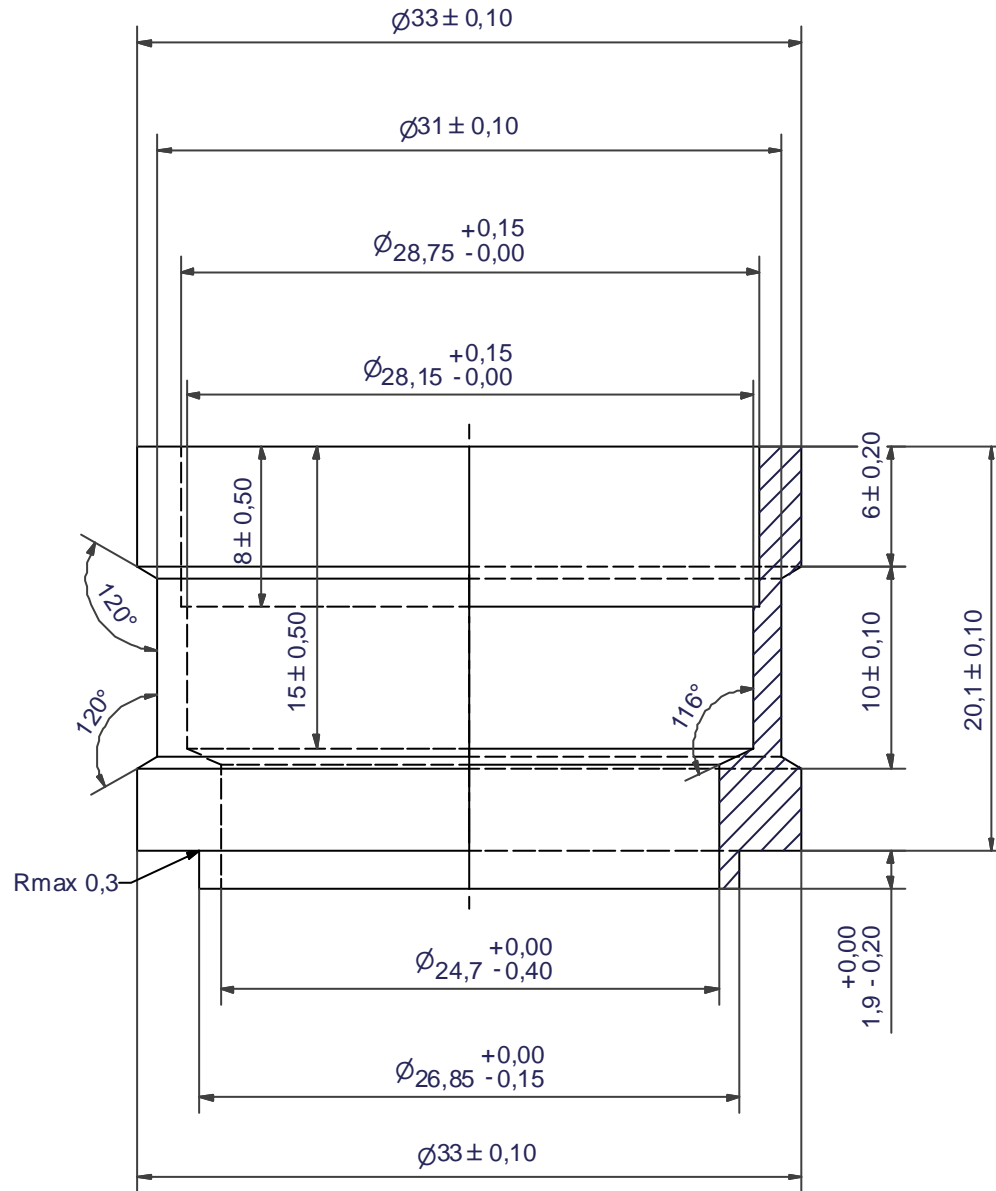
NOTE 1 ALTERNATE MARKING: STICKER OR STAMP

F4	32566	ISO-G 1" A & SOLDER 22U, TH = 20,1	CD000806
F3	45082	SOLDER 28U, TH = 20,1	CD000032
F2	32566	ISO-G 1" A & SOLDER 22U, TH = 20,1	CD000806
F1	45082	SOLDER 28U, TH = 20,1	CD000032

Pos	Article No	Title / Denomination, code, material, dimension etc	Drawing No./ref	Pos	Article No	Title / Denomination, code, material, dimension etc	Drawing No./ref
-----	------------	---	-----------------	-----	------------	---	-----------------

Title		B25TH/1P-SC-M	
 A DOVER COMPANY		Created Date	Created By
		2019-10-29	AU
Article/Configuration number		Drawing number	
14147-050		AU00538756	

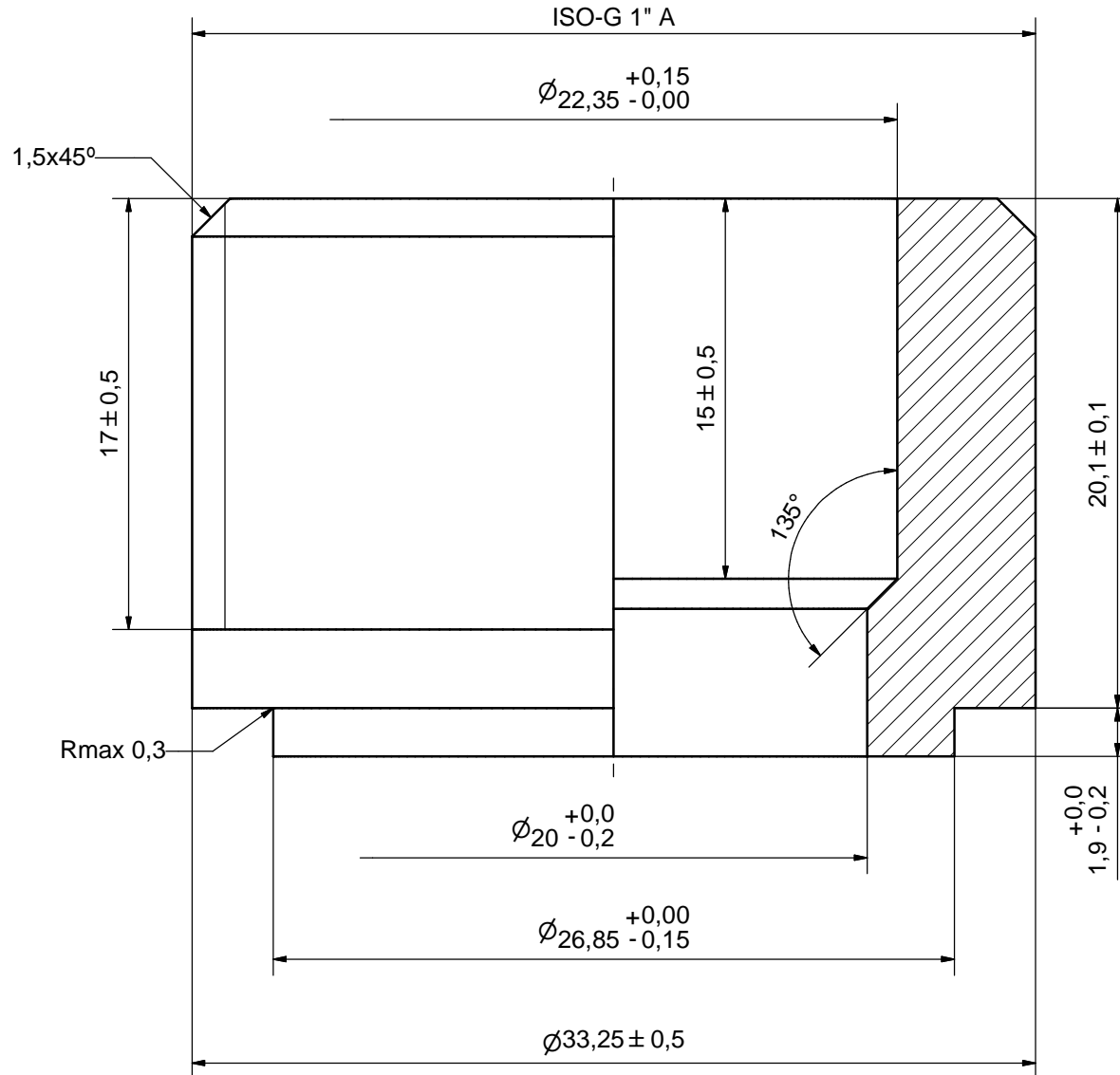
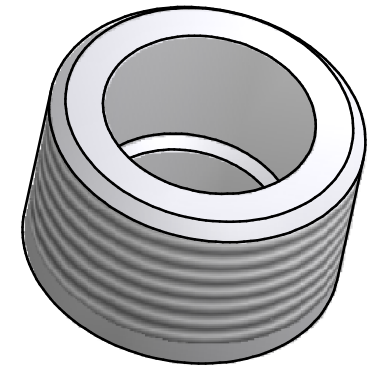
Rev No.	Alteration	Date	Checked	Approved
8	REDRAWN IN INVENTOR	2004/07/07	TN	PDM



© Company Confidential, Property of SWEF International AB

Drawn SA	Checked TP	Approved VP	Created Date 1990/09/08	General geometrical tolerancing ISO 2768 m	General surface finish R_a 3.2		Scale 4:1	
		Title SOLDER 28U						
A DOVER COMPANY			Article number -		Drawing number CD000032		Revision 8	Sheet 1 (1)

Rev No.	Alteration	Date	Checked	Approved
1	CHANGED DENOMIATION	2007/05/28	ANL	PDM



ACCORDING TO MQS
MATERIAL

Drawn	Checked	Approved	Created Date	General geometrical tolerancing ISO 2768	General surface finish R_a	Scale
THE	PDM	PDM	2006/05/09	m	3.2	5:1
Title				ISO-G 1" A & SOLDER 22U		
Article number		Drawing number		Revision		Sheet
-		CD000806		1		1 (1)

