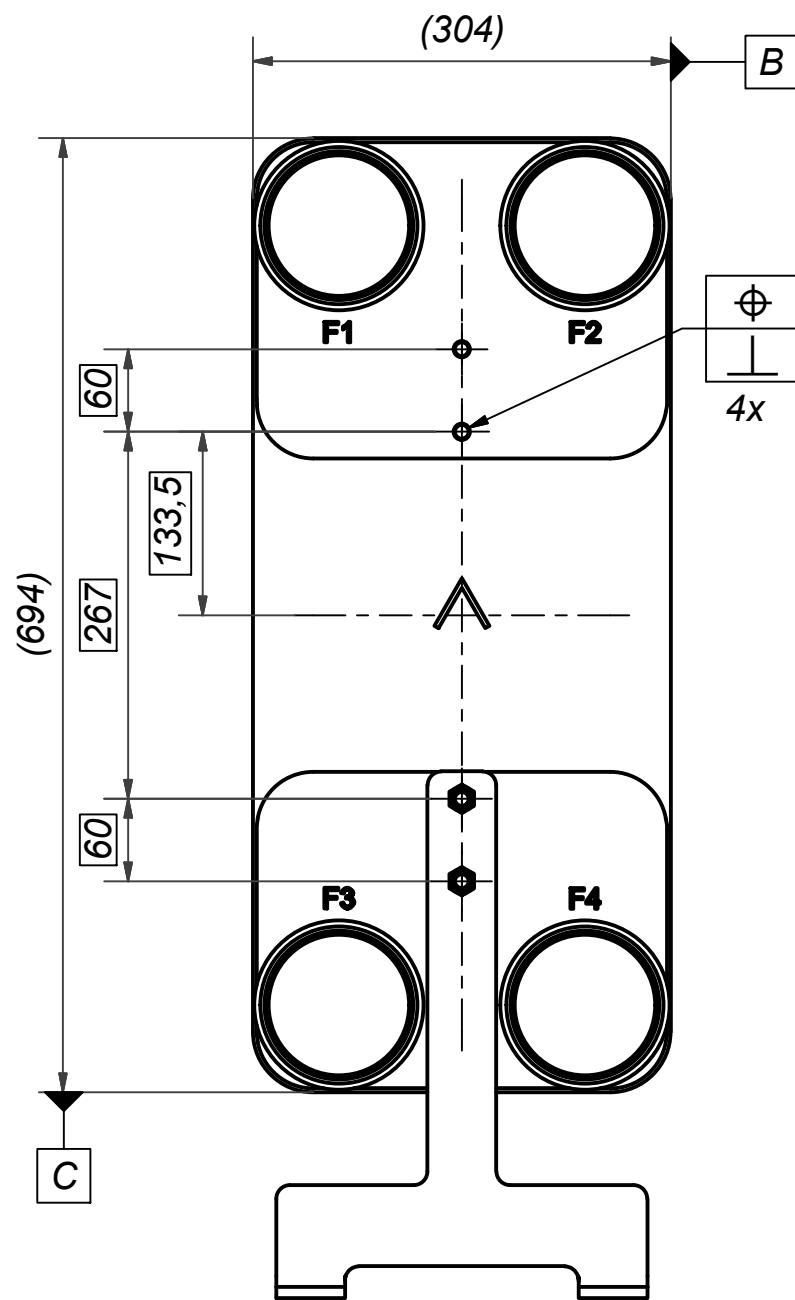
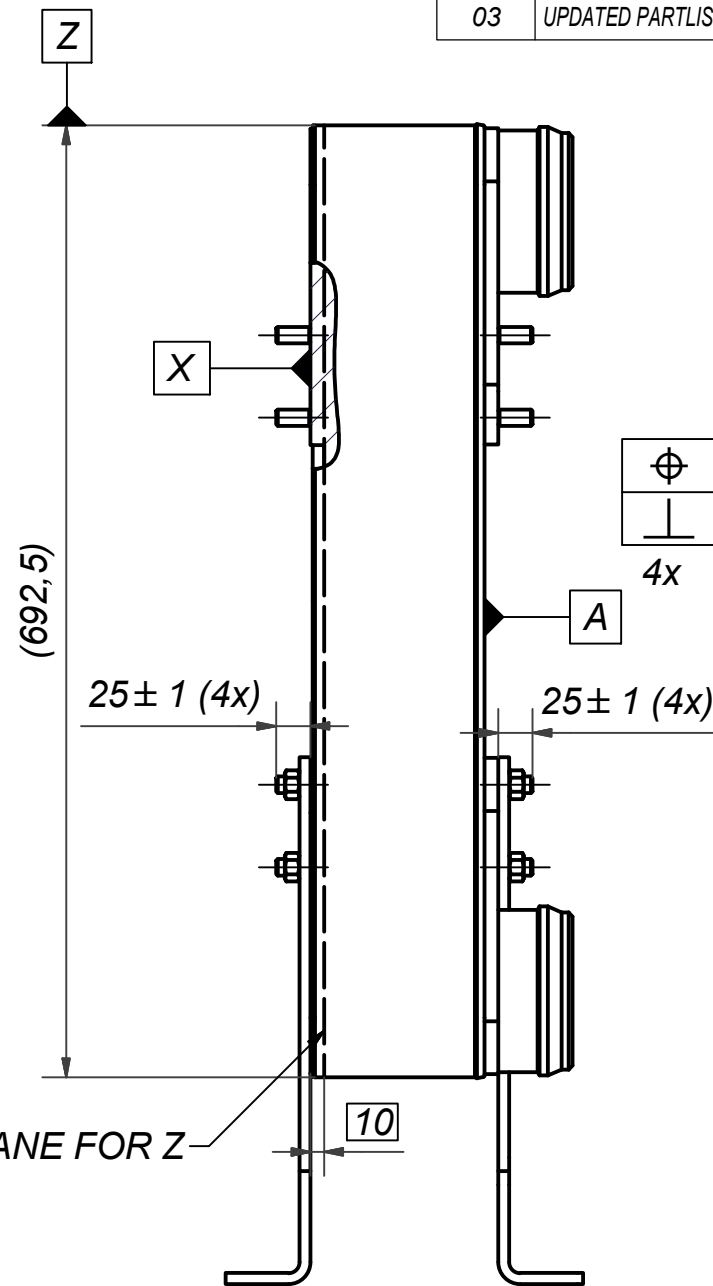


Rev No	Alteration	Date	Checked	Approved
03	UPDATED PARTLIST AS PER BOM & UPDATED WITH NEW REVISION OF SUPPORT LEG	2014-10-30	INJRJ	PDM



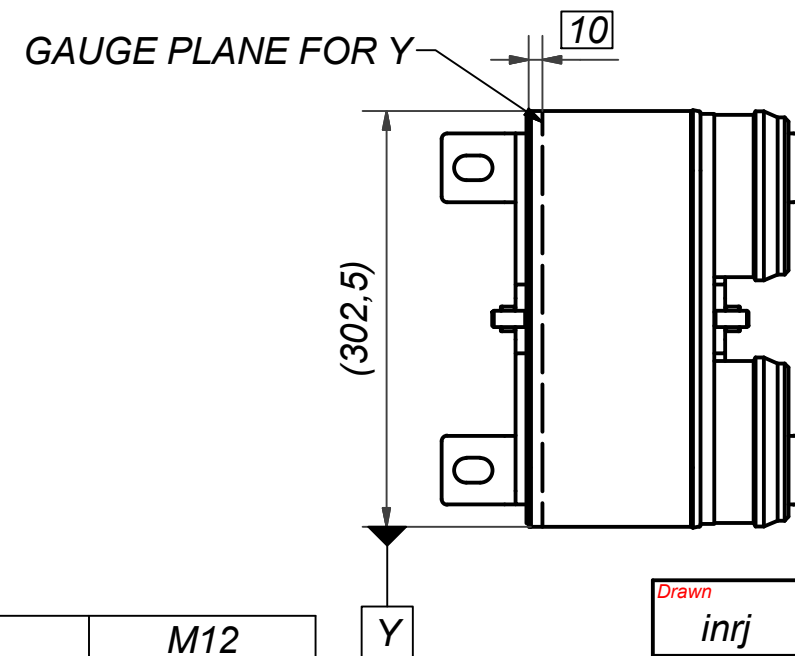
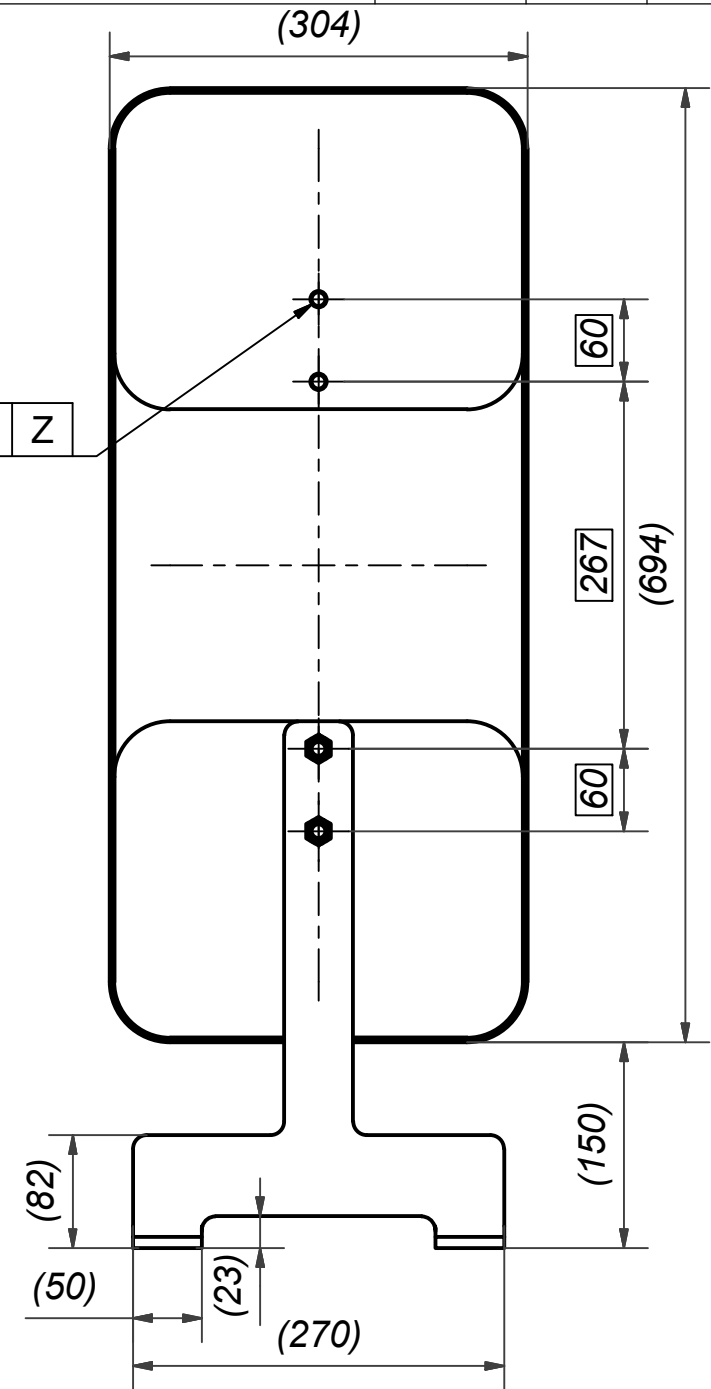
$\varnothing$	$\varnothing 1$	A	B	C
$\perp$	$\varnothing 0,4$			

4x



$\varnothing$	$\varnothing 1$	X	Y	Z
$\perp$	$\varnothing 0,4$			

4x



NOTE: STUDBOLT OPTION 21835 AND 21528 REQUIRED

Drawn inrj	Checked PDM	Approved PDM	Created Date 2008-11-19	General geometrical tolerancing ISO 2768	General surface finish $R_a$	Scale -	Paper size A3
<b>SWEPP</b> A DOVER COMPANY							
<b>B427 SUPPORT LEGS</b>							
Article number 28285	Design Type CG	Drawing number CG427010	Revision 03	Sheet 1 (1)			

ITEM	QTY	DESCRIPTION	Drawing No.
3	4	R-LOCKNUT ART. NO. 45523	M12
2	4	WASHER ART. NO. 45524	13x24x2.5
1	2	SUPPORT LEG GALVANIZED ART. NO. 32137	CC000512

© Company Confidential, Property of SWEPP International AB