

B427

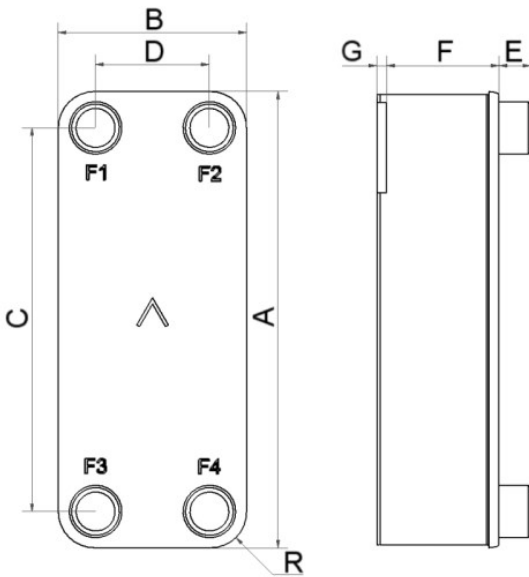
Très efficace, le B427 combine quatre types de plaques. Il est donc facile à adapter à une gamme étendue d'applications industrielles et de chauffage. Avec des raccords de 4 pouces, il accepte des flux d'eau allant jusqu'à 156 m³/h (686 gpm).



Spécifications de base

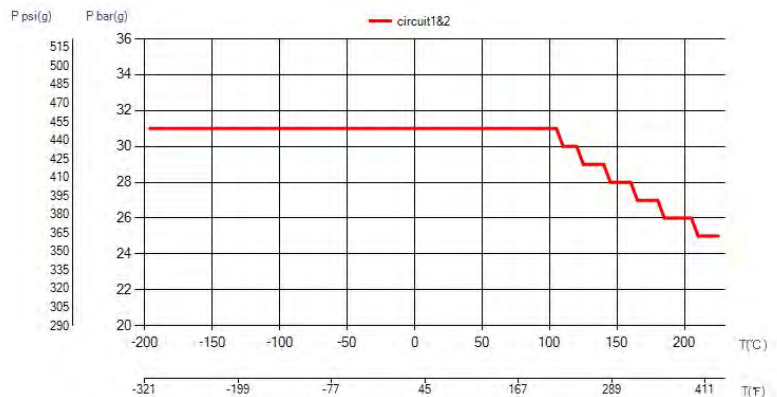
Nombre de plaques max. (NoP)	400
Débit volumétrique max.	155,5 m ³ /h (22.01 gpm)
Volume du canal	0.405/0.405 dm ³ (0.0143/0.0143 ft ³)
Matières	Plaques en acier inoxydable 316/316L, brasage cuivre
Poids sans les connexions	21.89+(0.59*NoP) kg 48.26+(1.301*NoP) lb

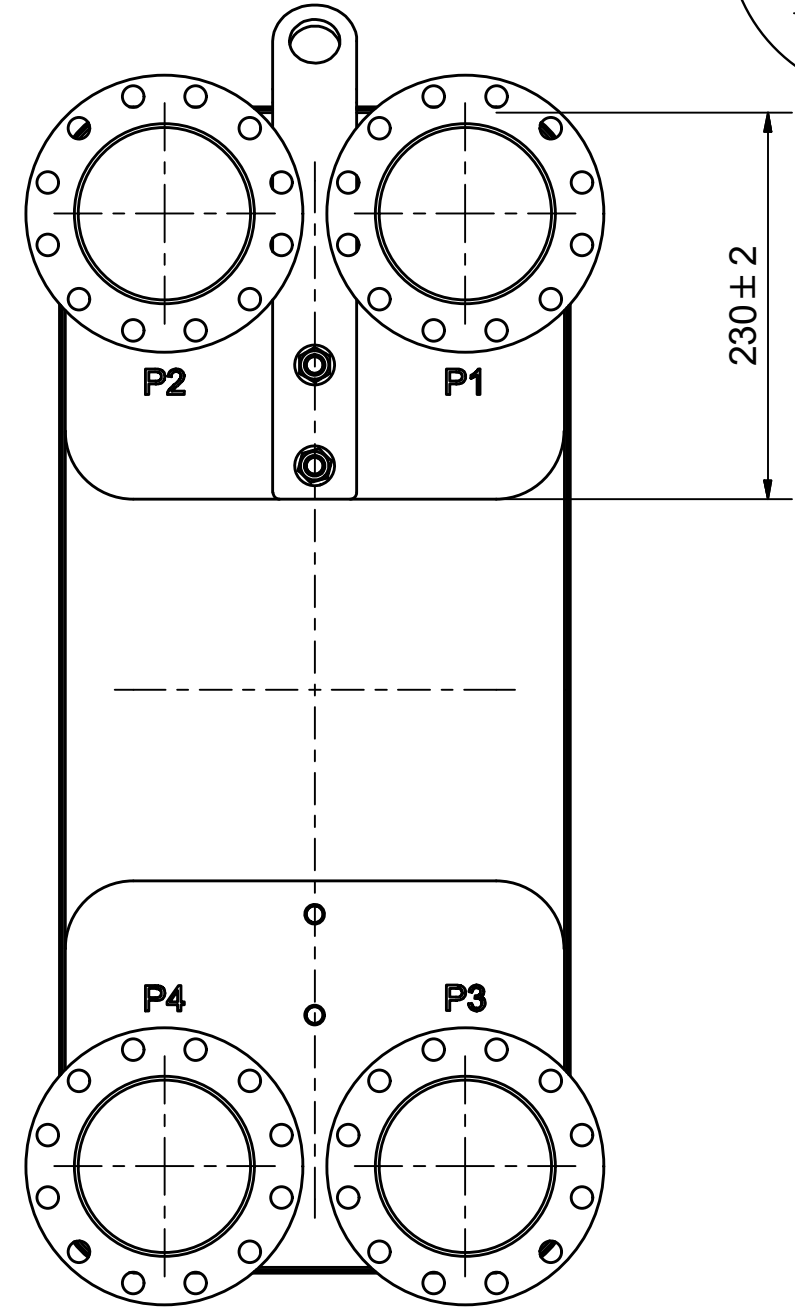
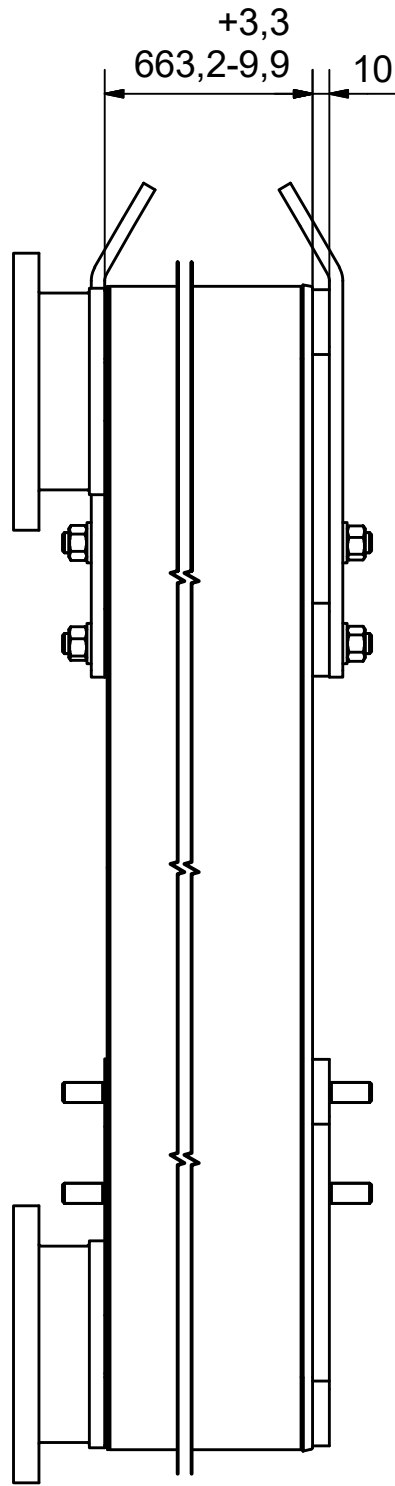
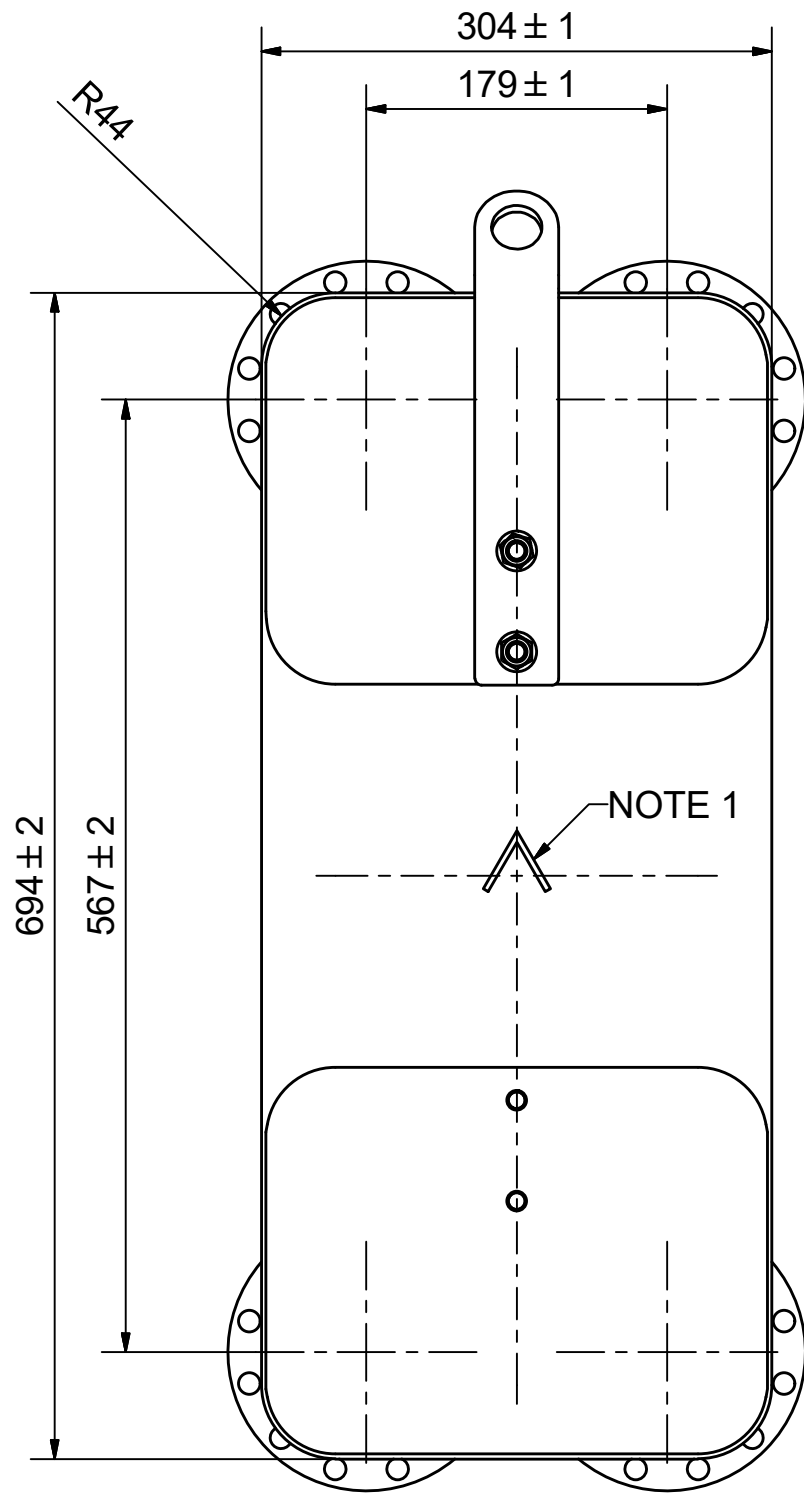
Les dimensions standard



#	MM	IN
A	694	27.32
B	304	11.97
C	567	22.32
D	179	7.05
F	22,00+2,29*(NoP)	86.61+9.02*(NoP)
G	0	0
R	44	1.73
E_1	54	2.13

PED pression / température





NOTE 1 ALTERNATE MARKING: STICKER OR STAMP

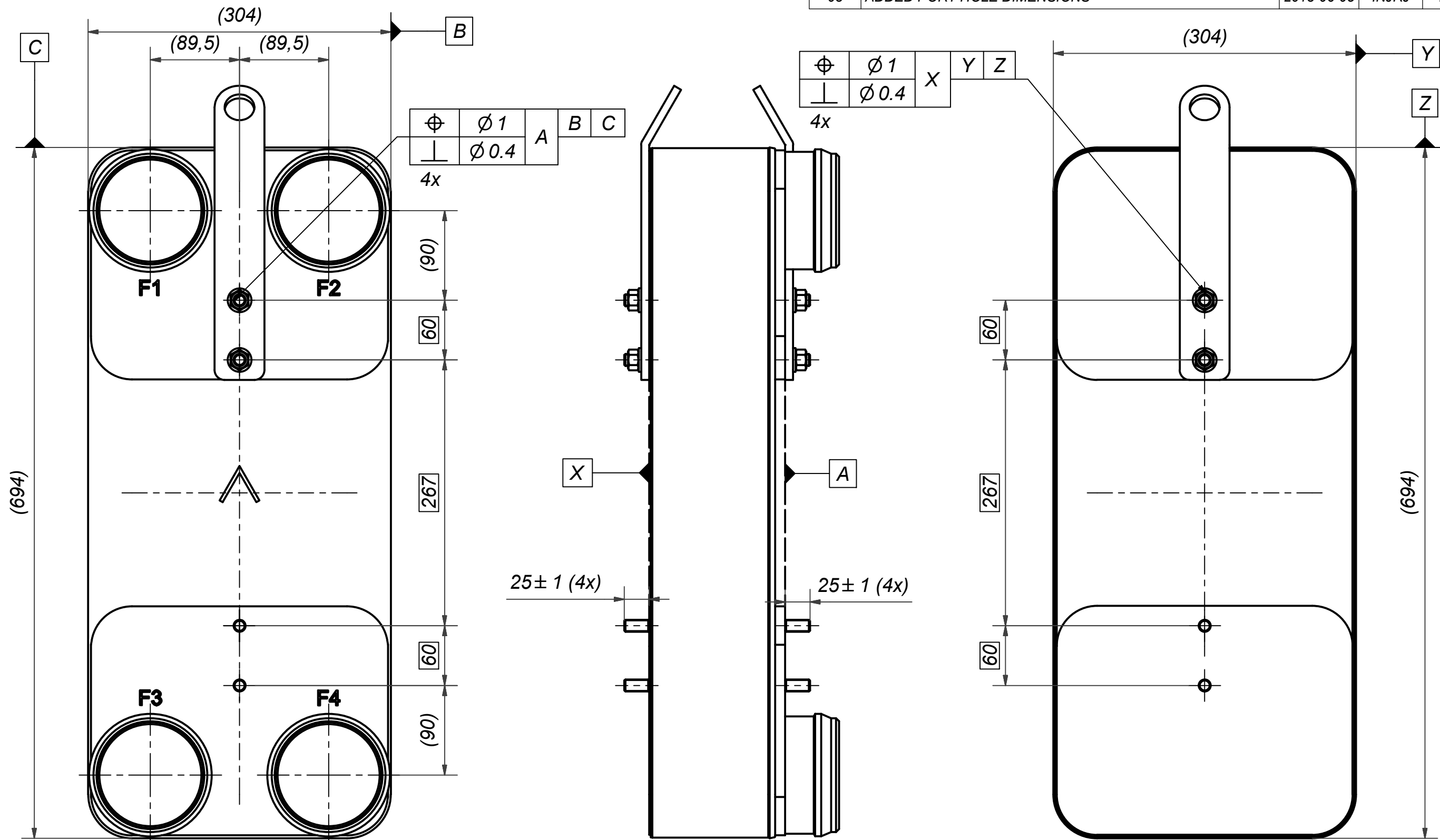
AXINTRA
ÉCHANGEURS THERMIQUES

P4	45840	FLANGE DN100C PN40 , TH = 54,2	00066740
P3	45840	FLANGE DN100C PN40 , TH = 54,2	00066740
P2	45840	FLANGE DN100C PN40 , TH = 54,2	00066740
P1	45840	FLANGE DN100C PN40 , TH = 54,2	00066740
P	21528	B427 S B LOC P 4x CV267x60	CG427007_1

<p>B427M1x280/1P-SC-S / 4xDN100C cs</p> <p>SWEP A DOVER COMPANY</p>			Created Date	Created By
			2023-02-10	AU
Article/Configuration number		Drawing number		
0183899.0		AU00733682_0183899.0		

F	28284	B427 OPTION SET	CG427004_1
F	21835	B427 STUD BOLT LOC. F 4x267x60	CG427018_1
Pos	Article No	Title / Denomination, code, material, dimension etc	Drawing No./ref

Rev No	Alteration	Date	Checked	Approved
03	ADDED PORT HOLE DIMENSIONS	2013-06-05	INJRJ	PDM

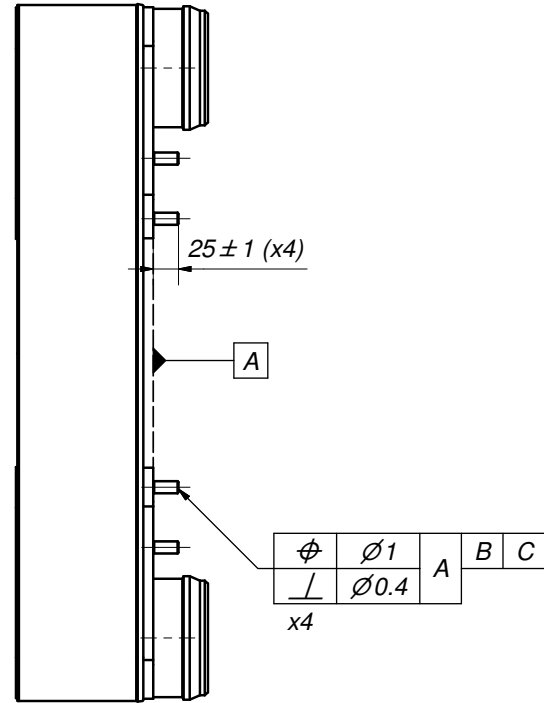
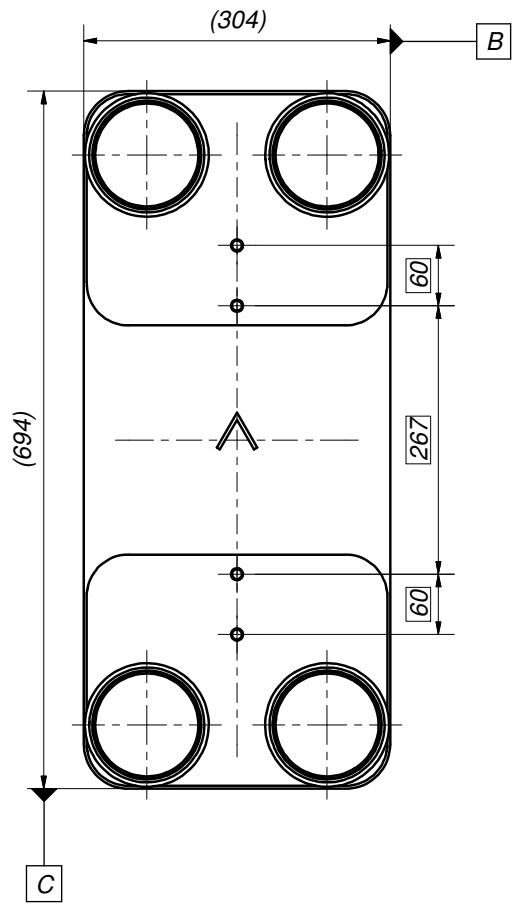



© Company Confidential, Property of SWEP International AB

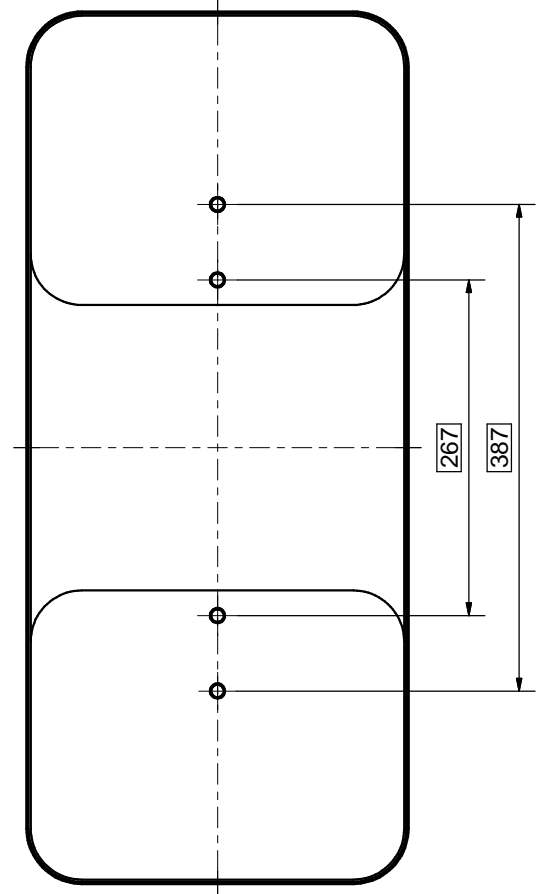
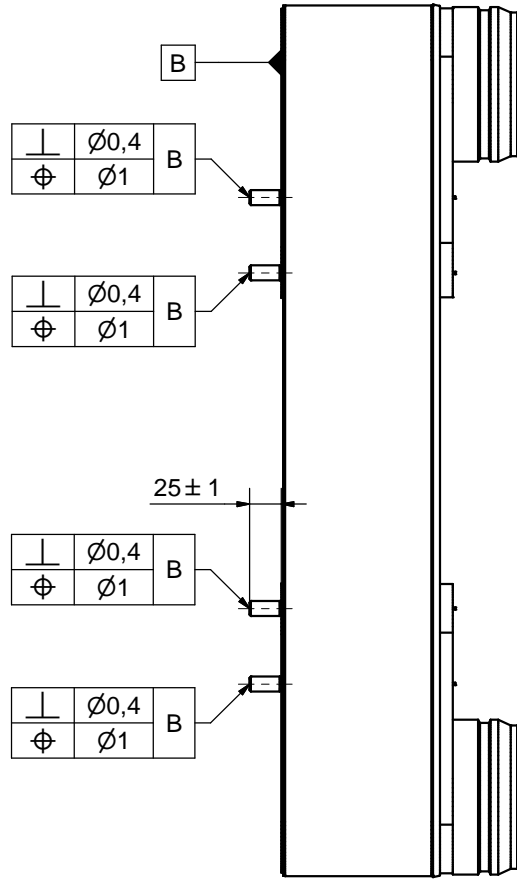
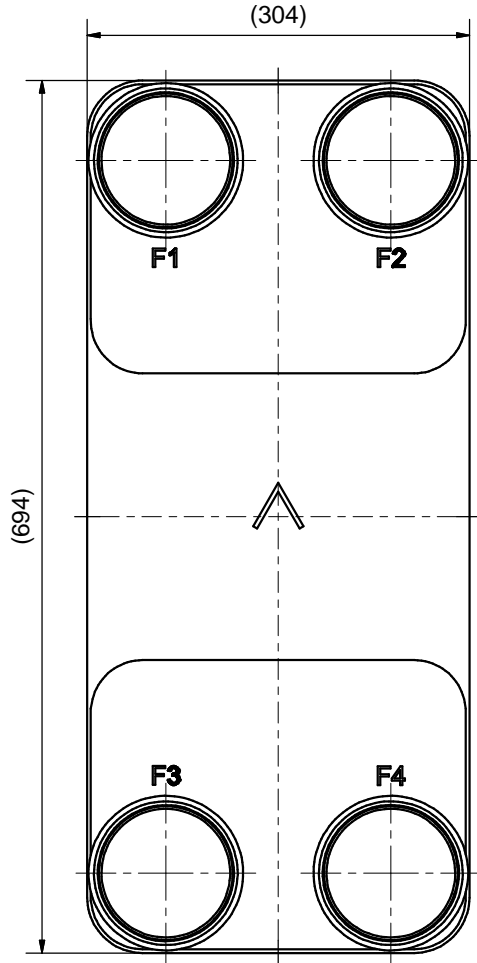
ITEM	QTY	DESCRIPTION	Drawing No.
4	4	R-LOCKNUT ART. NO. 45523	M12
3	4	WASHER ART.No. 45524	13x24x2.5
2	2	HANGER GALVANIZED ART. NO. 32136	CC000510
1	8	STUD BOLT M12x25 ART. NO. 45987	M12 x 25


Drawn	Checked	Approved	Created Date	General geometrical tolerancing ISO 2768:	General surface finish R_a :	Scale	Paper size
lathe	PDM	PDM	2005-03-18			-	A3
			B427 OPTION SET				
			Article / Tool number	Design Type	Drawing number	Revision	Sheet
			28284	CG	CG427004	03	1 (1)

Rev No	Alteration	Date	Checked	Approved
00	-		-	PDM

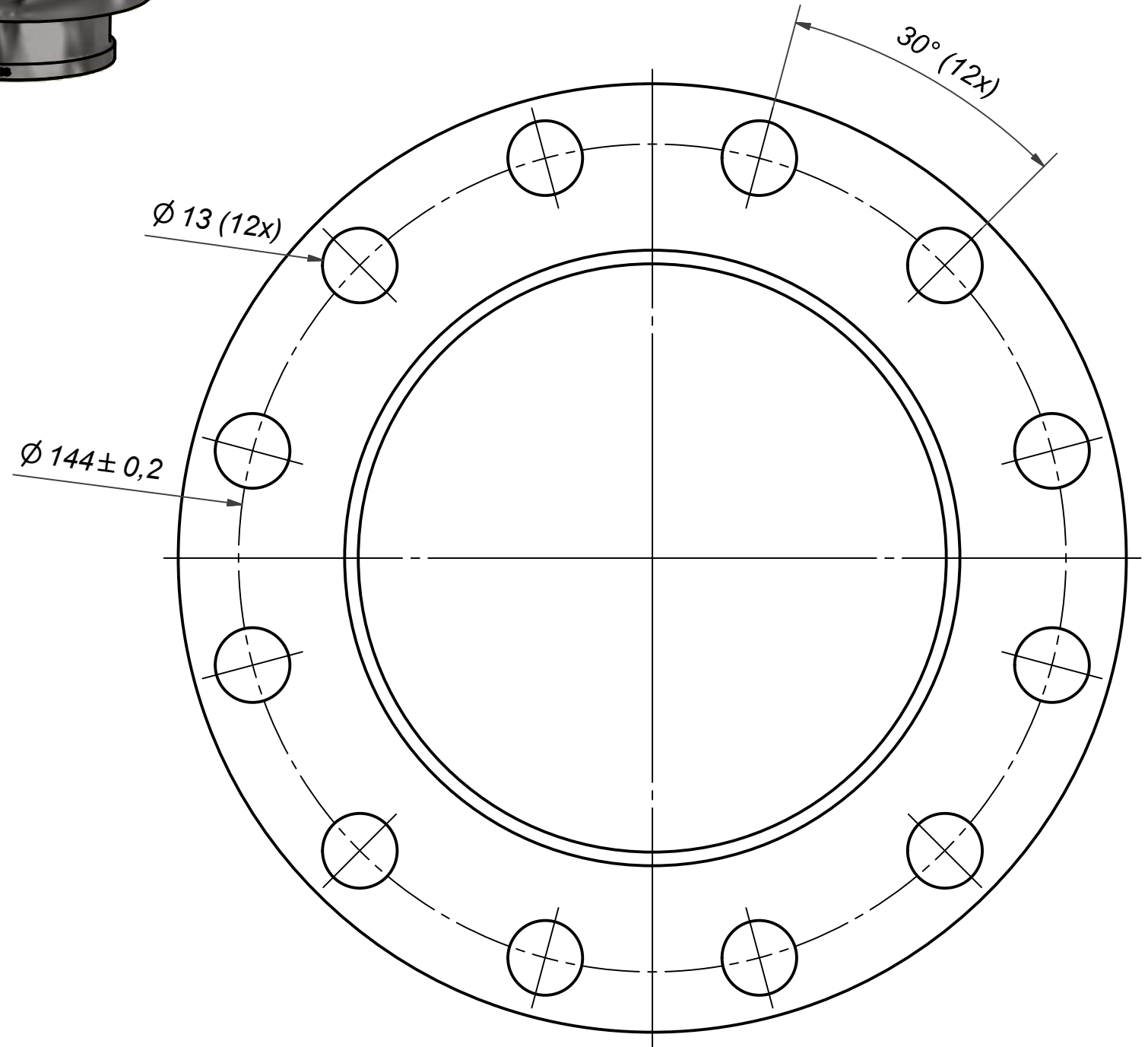
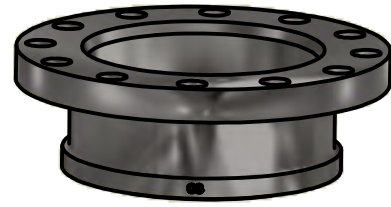
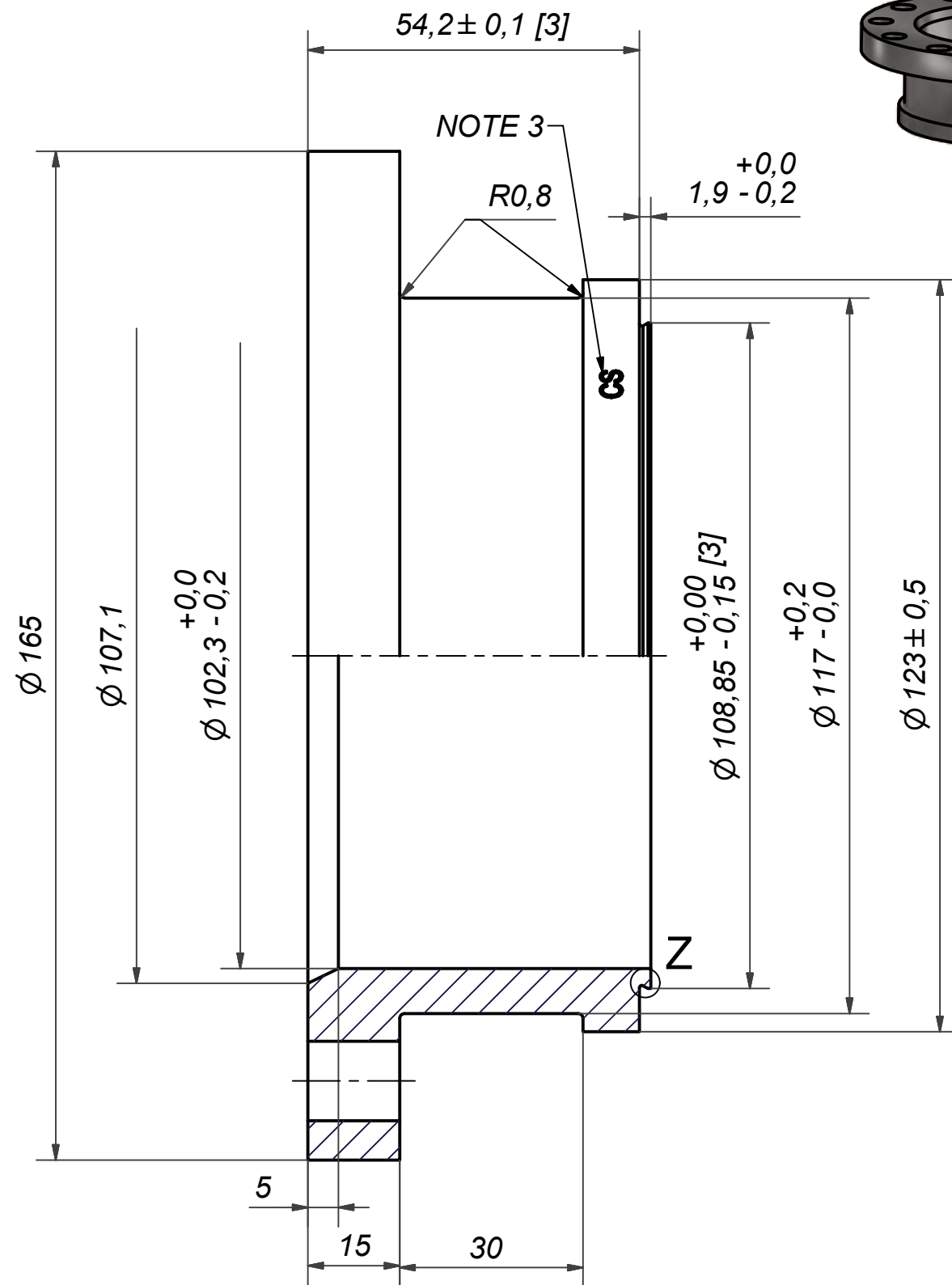


1	4	STUD BOLT M12x25 ART. No 45987				M12x25
ITEM	QTY	Title				Drawing No.
Drawn	Checked	Approved	Created Date	General geometrical tolerancing ISO 2768	General surface finish Ra	Scale
SKP	PDM	PDM	1/10/2013			-
		Title				
		B427 STUD BOLT LOC. F 4x267x60				
Article / Tool number		Design Type	Drawing number	Revision	Sheet	
21835		CG	CG427018	00	1 (1)	



1	4	STUD BOLT M12x25 ART. NO. 45987				M12 x 25
IT	QTY	DESCRIPTION				Drawing No.
Drawn	Checked	Approved	Created Date	General geometrical tolerancing ISO 2768	General surface finish R _a	Scale
JT	PDM	PDM	2007-06-07	m	3.2	1:4
		Title				
		B427 S B LOC P 4x CV267x60				
Article number		Drawing number		Revision	Sheet	
21528		CG427007			1 (1)	

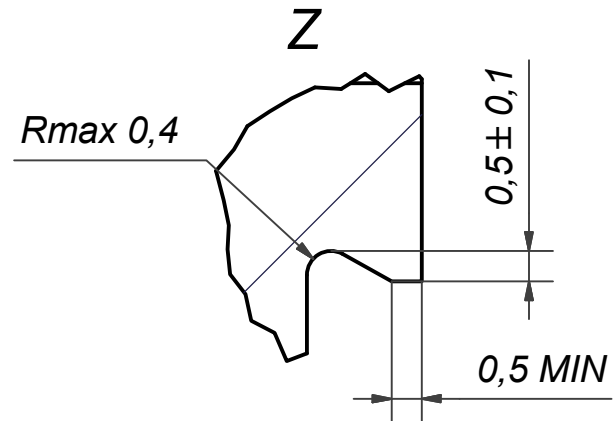
Rev No	Alteration	Date	Checked	Approved
00	-		-	BOS




**NOTE 3 : MARKING TEXT "CS" FOR IDENTIFICATION ONLY
PRESENT AT 2 PLACES 180° FROM EACH OTHER
"CS" = CARBON STEEL MATERIAL**

NOTE 2 : [3] - CRITICAL/SPECIAL CHARACTERISTIC TO BE FOLLOWED

NOTE 1 : DEBURR SHARP EDGES; MAX 0.4



ACCORDING TO MQS
MATERIAL

Drawn	Checked	Approved	Created Date	General geometrical tolerancing ISO 2768:	General surface finish R_a :	Scale	Paper size
11016090	PDM	PDM	2021-06-09	m	3.2	-	A3
			FLANGE DN100C PN40				
Article number	Design Type	Drawing number	Revision	Sheet			
-	CD	00066740	00	1 (1)			