

V120T

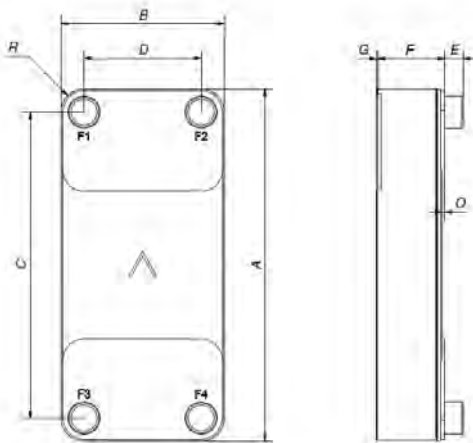
Le V120T est un évaporateur qui offre une efficacité élevée avec de nombreux réfrigérants. Il combine un format compact et un agencement de plaques spécialement développé pour créer un échangeur thermique extrêmement efficace. Le V120T est le choix idéal pour les chillers, les pompes à chaleur et les économiseurs.



Spécifications de base

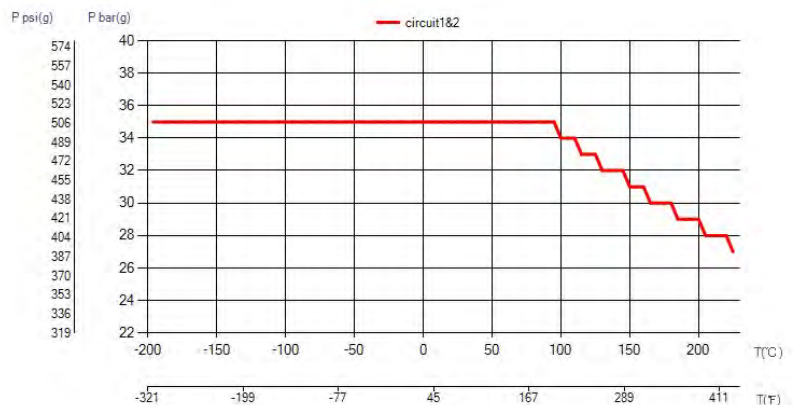
Nombre de plaques max. (NoP)	250
Débit volumétrique max.	27,4 m³/h (17.61 gpm)
Volume du canal	0.241/0.241 dm³ (0.0085/0.0085 ft³)
Matières	Plaques en acier inoxydable 316/316L, brasage cuivre
Poids sans les connexions	8.33+(0.424*NoP) kg 18.36+(0.935*NoP) lb
Taille la taille des Particules (mm)	1

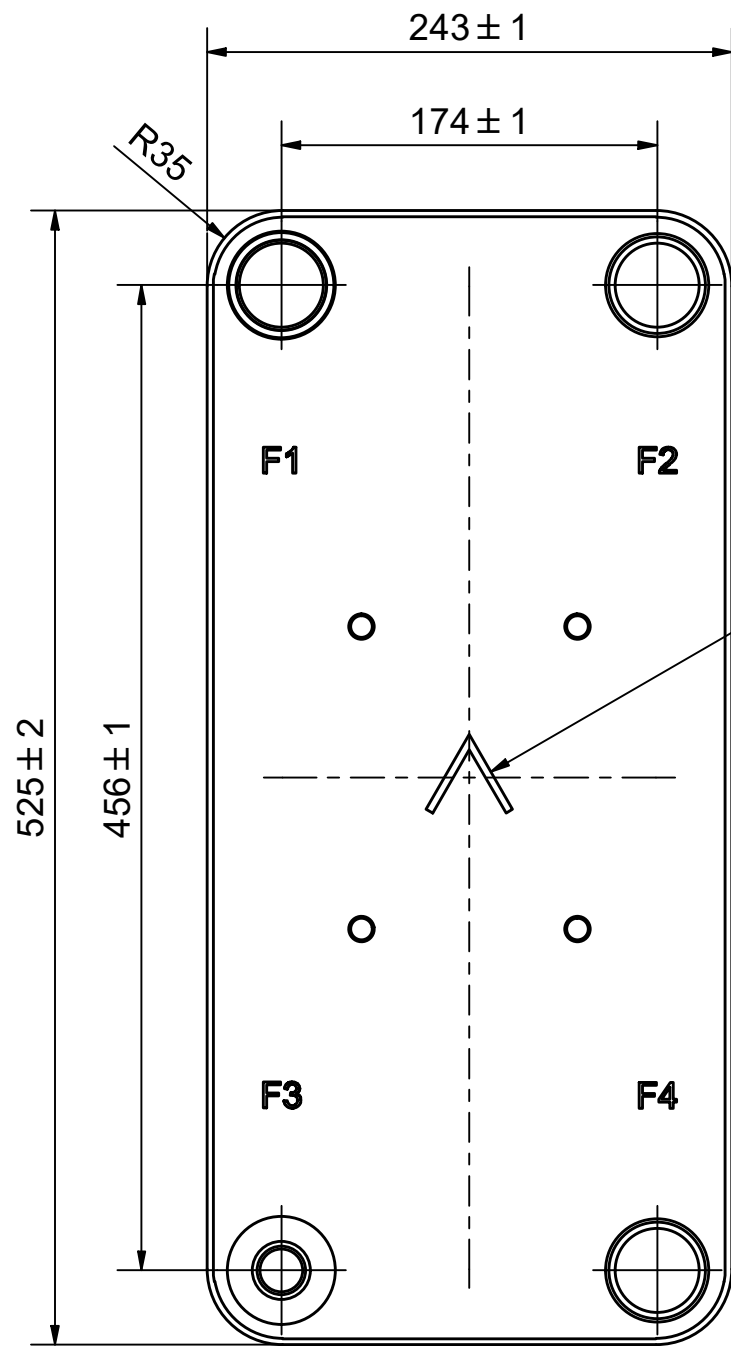
Les dimensions standard



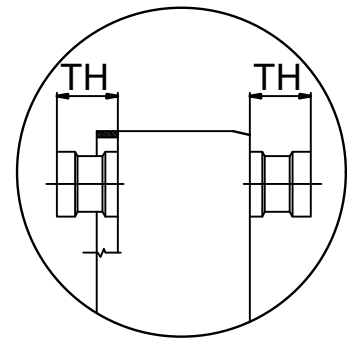
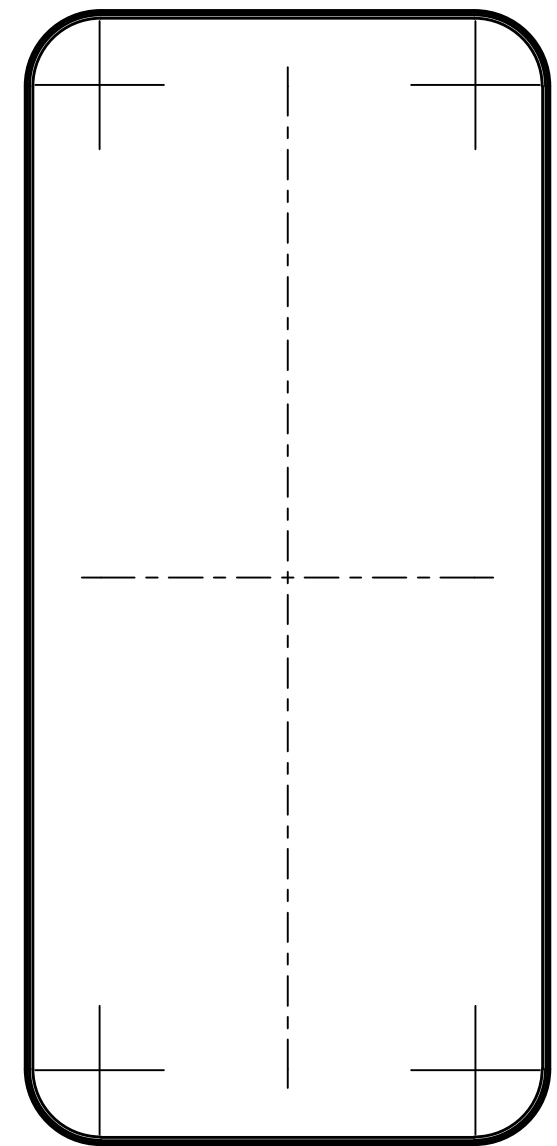
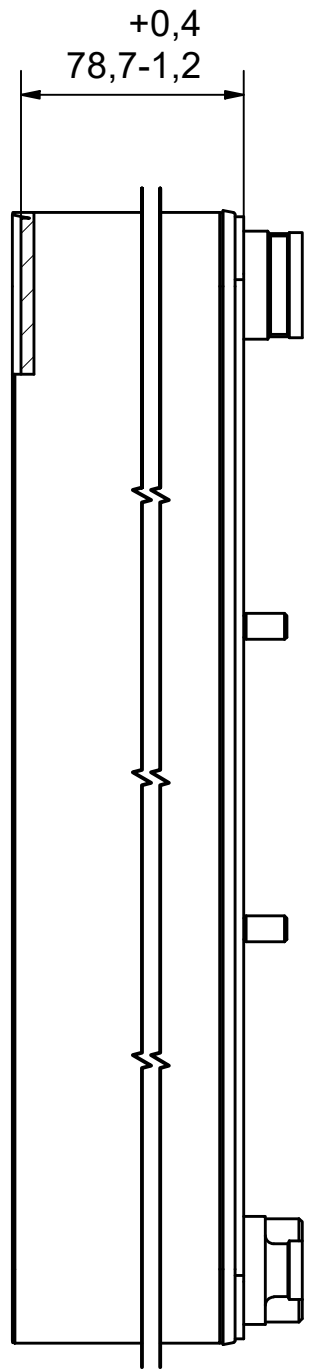
#	MM	IN
A	525	20.67
B	243	9.57
C	456	17.95
D	174	6.85
F	10,00+2,29*(NoP)	0.39+0.09*(NoP)
G	4	0.16
R	35	1.38
E_1	27	1.06
E_2	54	2.13

PED pression / température





NOTE 1





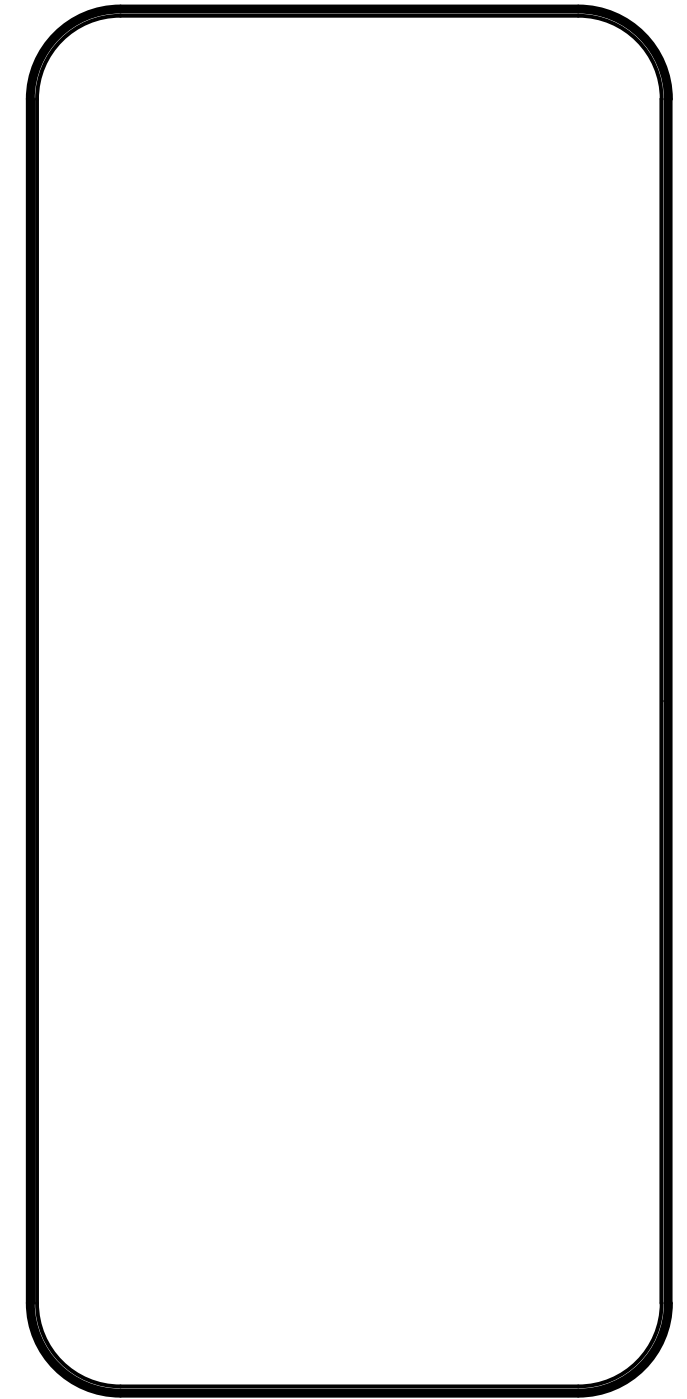
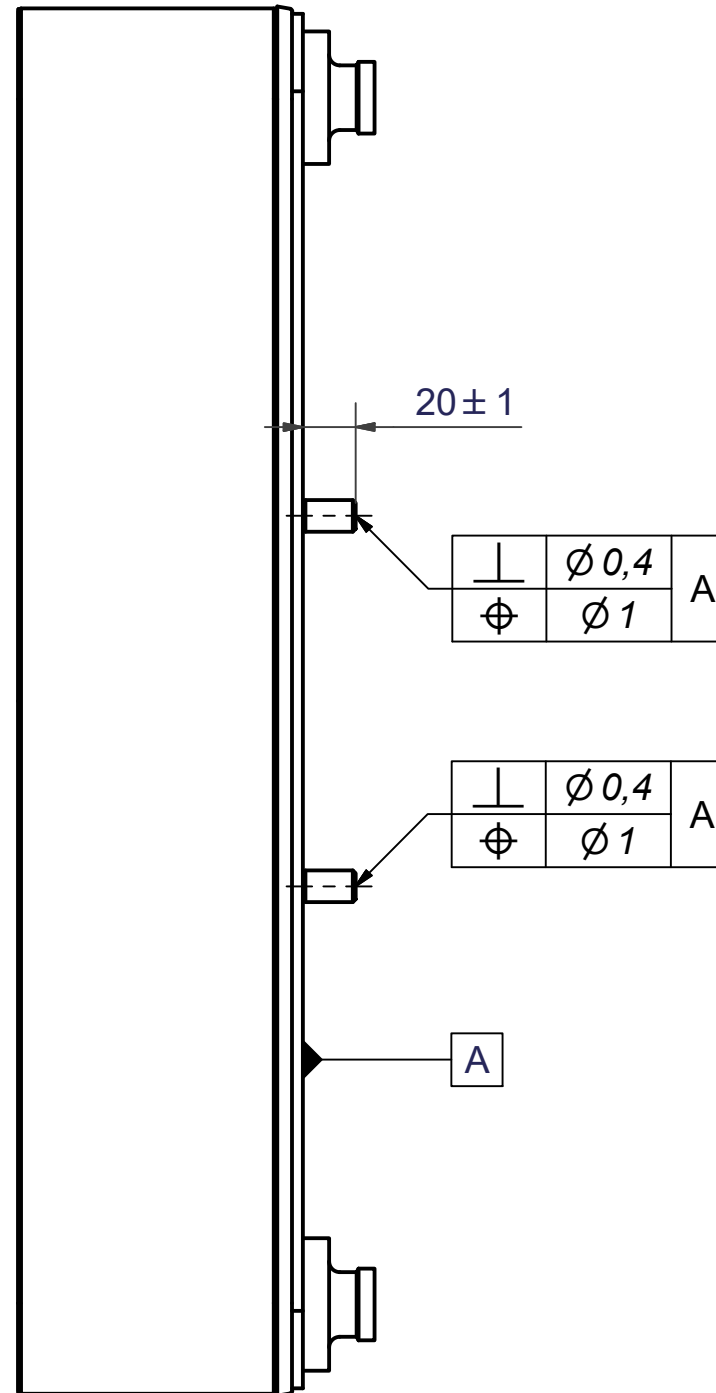
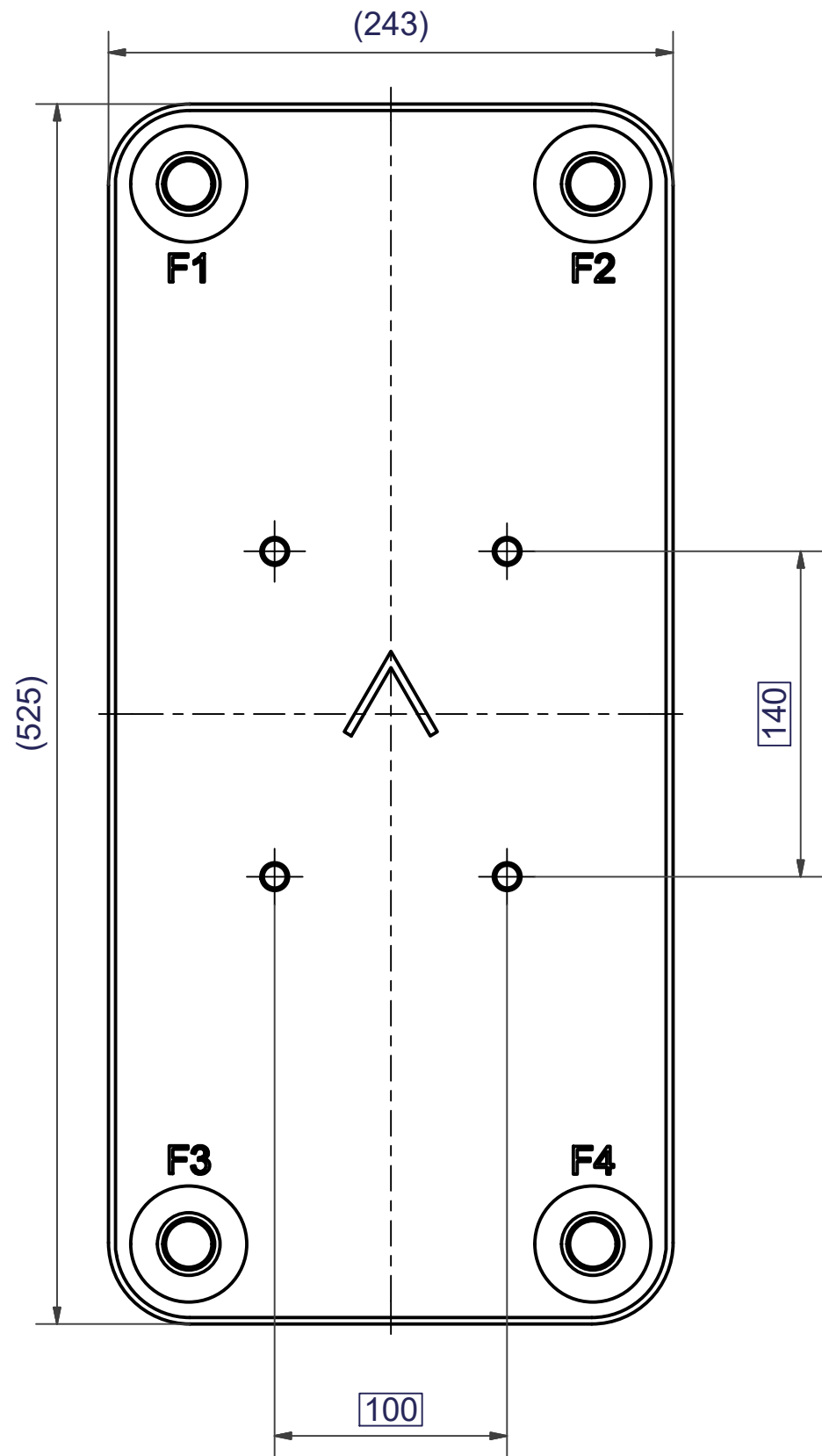
NOTE 1 ALTERNATE MARKING: STICKER OR STAMP

F4	45054	ISO-G 1 1/2 , TH = 27,1	CD000040
F3	45475	SOLDER 22U, TH = 27,1	CD000017
F2	45054	ISO-G 1 1/2 , TH = 27,1	CD000040
F1	45083	SOLDER 42U, TH = 27,1	CD000100
F	21118	B120T/50 BOLT LOC F 4x C140x100	CG450024_1



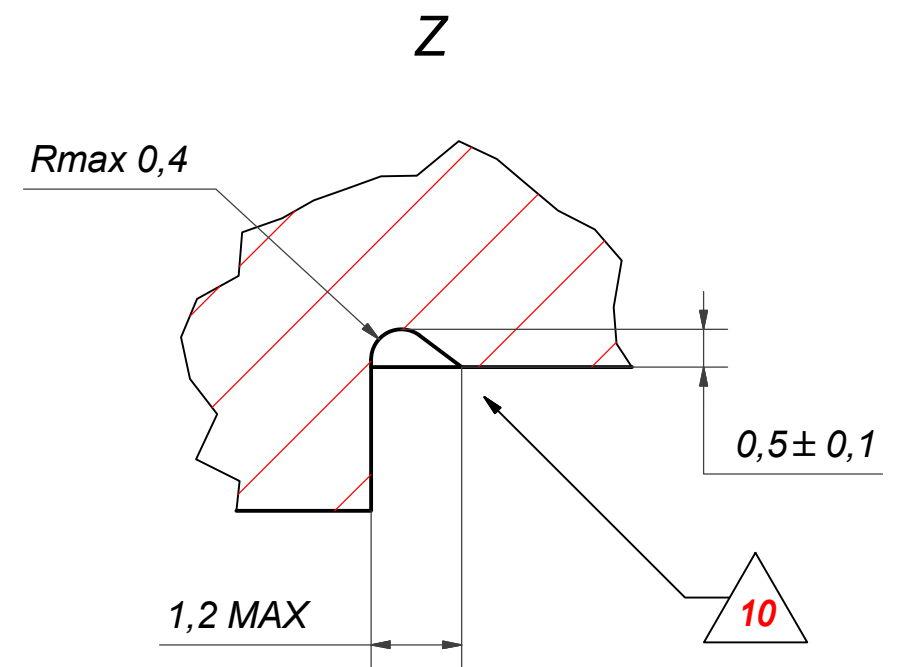
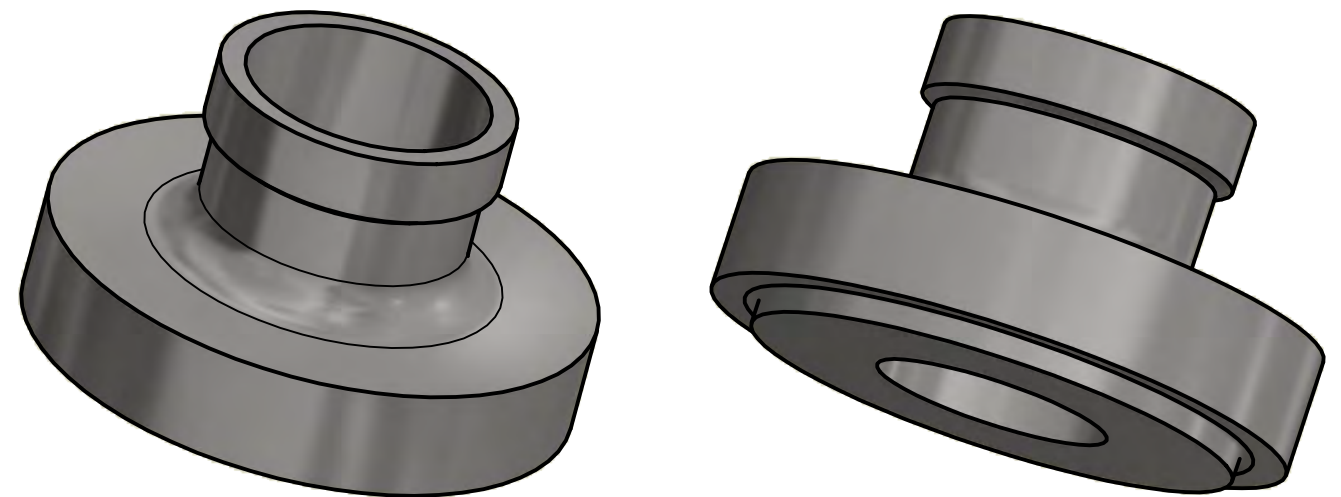
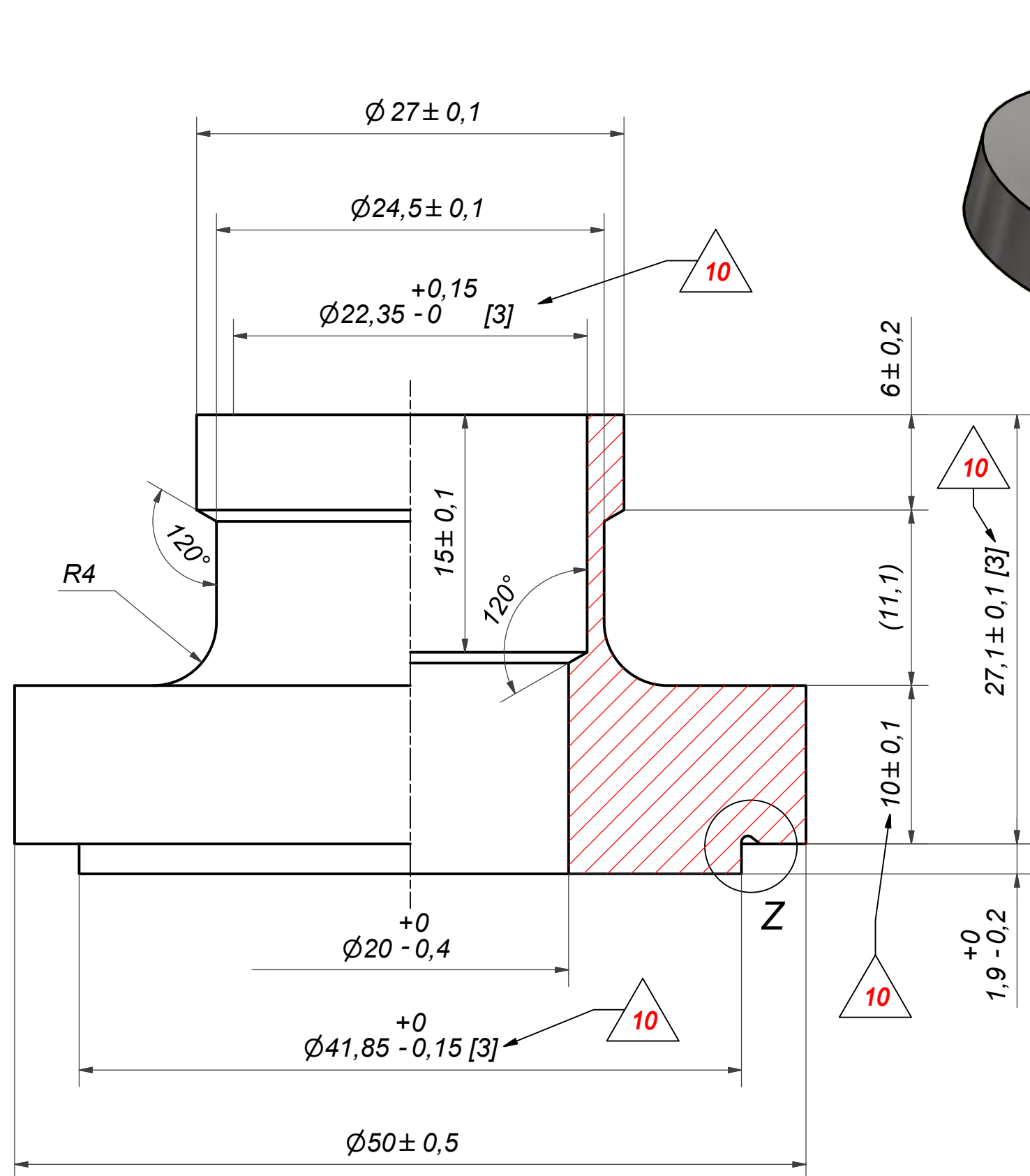
Pos	Article No	Title / Denomination, code, material, dimension etc	Drawing No./ref	Pos	Article No	Title / Denomination, code, material, dimension etc	Drawing No./ref
-----	------------	---	-----------------	-----	------------	---	-----------------

Title		V120THx30/1P-SC-S 22U+42U+2x1 1/2"	
 A DOVER COMPANY	Created Date	Created By	
	2024-07-24	AU	
Article/Configuration number		Drawing number	
0246640.0		AU00054167_0246640.0	



1	4	STUD BOLT M12x20 ART. NO. 45095	M12x20
IT	QTY	DESCRIPTION	Drawing No./Ref
lathe	PDM	PDM	2004-10-12
		General geometrical tolerancing ISO 2768: m	General surface finish R _a : 3.2
		1:1	
		B120T/50 BOLT LOC F 4x C140x100	
Article number 21118		Drawing number CG450024	
		Revision 00	
		Sheet 1 (1)	

Rev No	Alteration	Date	Checked	Approved
10	DESIGN CHANGE ACCORDING TO ECN-000385 RD102844	2023-09-28	CNFRG	PDM



© Company Confidential, Property of SWEP International AB

NOTE 2: [3] - CRITICAL/SPECIAL CHARACTERISTIC TO BE FOLLOWED

NOTE 1: DEBURR SHARP EDGES; MAX 0.4

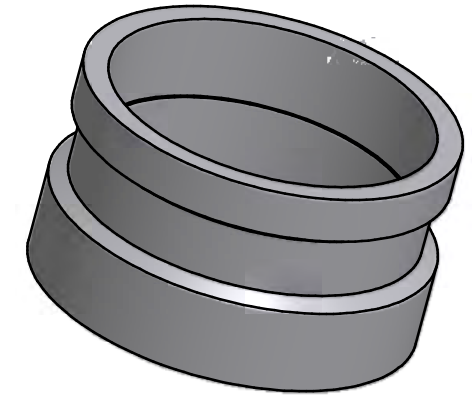
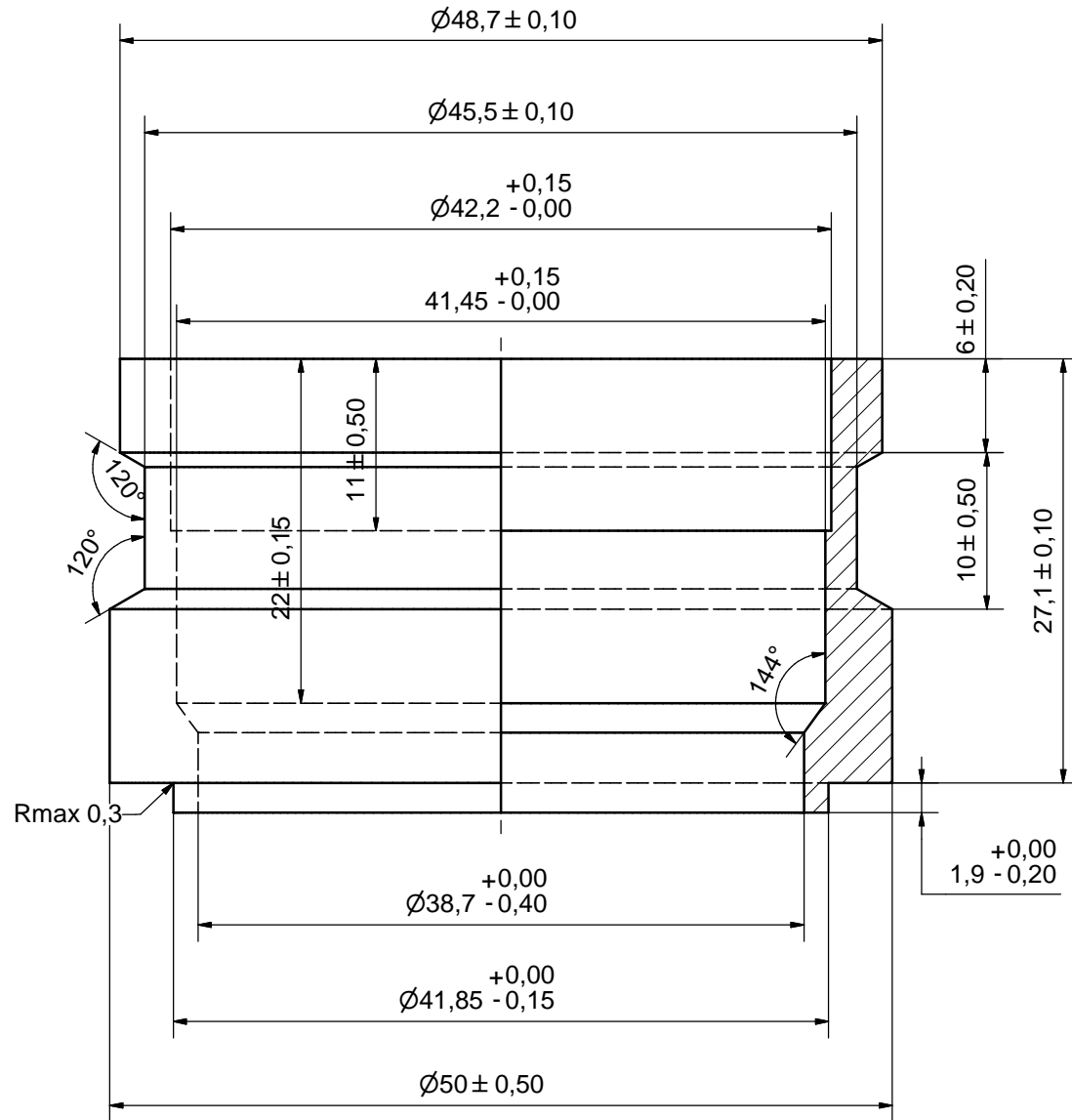


ACCORDING TO MQS
MATERIAL

Drawn miguser	Checked PDM	Approved PDM	Created Date 1993-05-28	General geometrical tolerancing ISO 2768: m	General surface finish R_a : 3.2		Scale -	Paper size A3
Title SOLDER 22U			Article number CD	Design Type CD	Drawing number CD000017	Revision 10	Sheet 1 (1)	



Rev No.	Alteration	Date	Checked	Approved
12	DEBURRING INFO ADDED	2009/03/10	TL	PDM



SHARP EDGES DEBURRED MAX 0,4

ACCORDING TO MQS
MATERIAL

© Company Confidential, Property of SWEP International AB



Drawn SA	Checked TP	Approved VP	Created Date 1990-09-08	General geometrical tolerancing ISO 2768 m	General surface finish R_a 3.2	Scale -
Title SOLDER 42U			Article number -	Drawing number CD000100	Revision 12	Sheet 1 (1)



